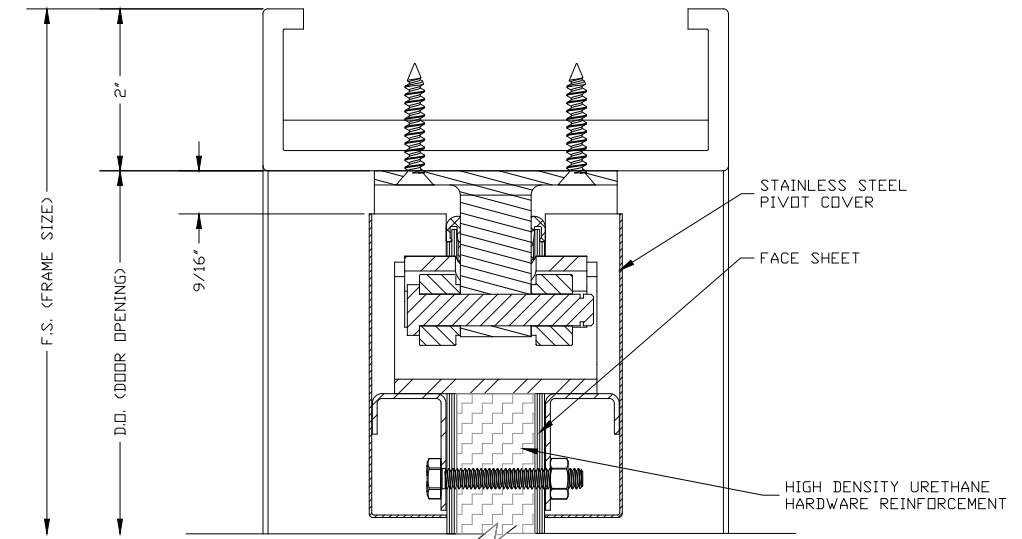
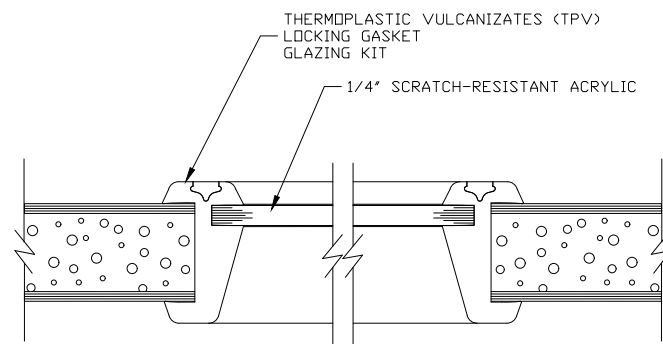


HINGE JAMB DETAIL

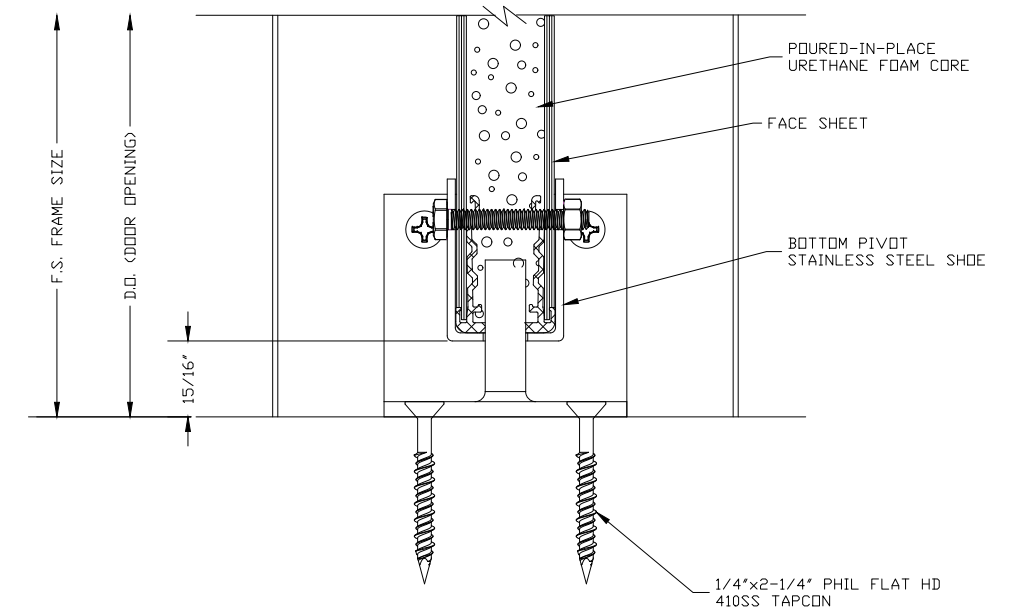
LOCK JAMB DETAIL



HEADER DETAIL



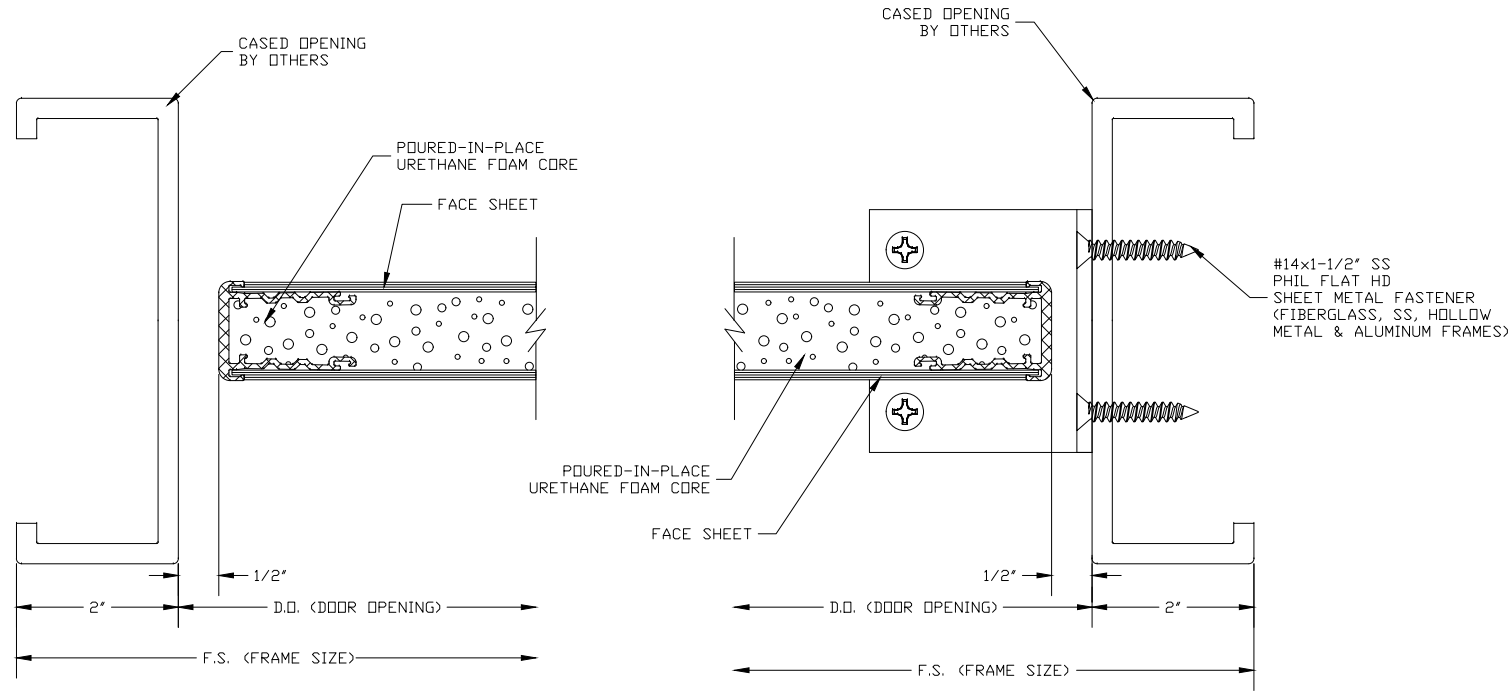
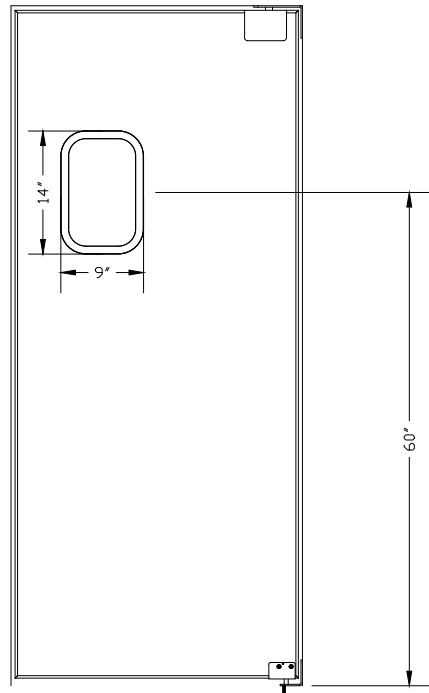
1/4" ACRYLIC VISION LITE KIT DETAIL



SILL DETAIL

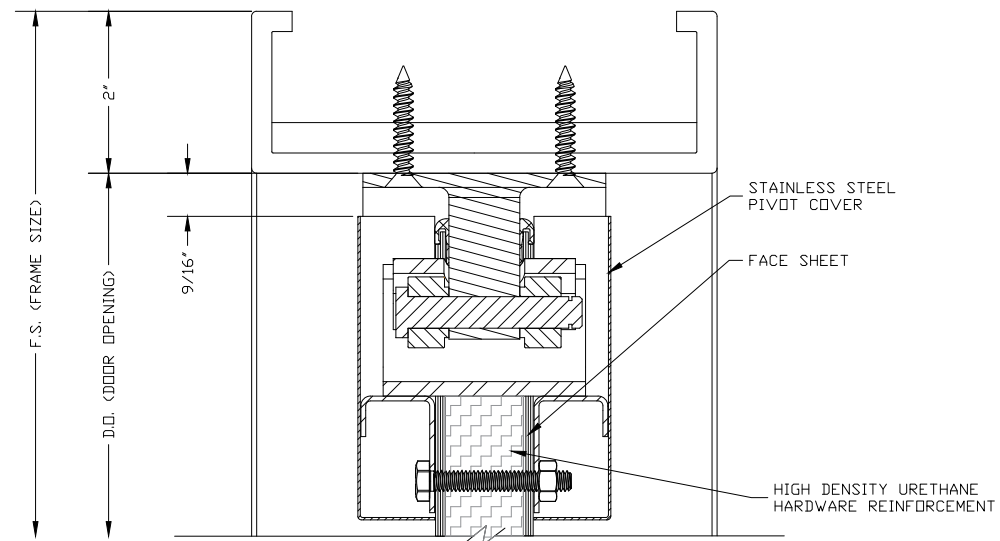
DA-16S	SMOOTH ALUMINUM FACE SHEET
DA-16E	EMBOSSSED ALUMINUM FACE SHEET
DA-16F	FLUTED ALUMINUM FACE SHEET
DA-16SS	STAINLESS STEEL FACE SHEET
DA-17	PEBBLE GRAIN FRP FACE SHEET
DA-19	RUSTIC WOOD GRAIN FRP FACE SHEET
DA-19-1	CONTEMPORARY WOOD GRAIN FRP FACE SHEET
DA-20	SANDSTONE TEXTURE FRP FACE SHEET

		SPECIAL-LITE, INC. 860 South Williams Street DECATUR, MI 49045 SPECIAL-LITE.COM	
DOUBLE ACTING TRAFFIC DOOR LH			

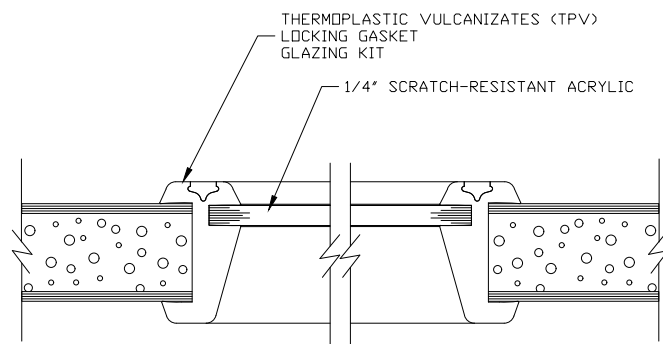
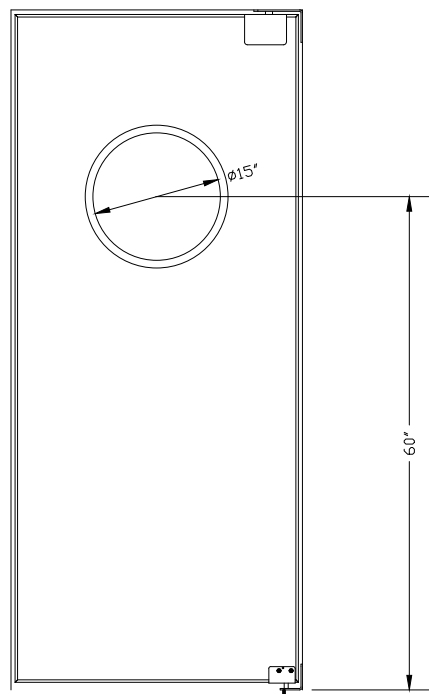


LOCK JAMB DETAIL

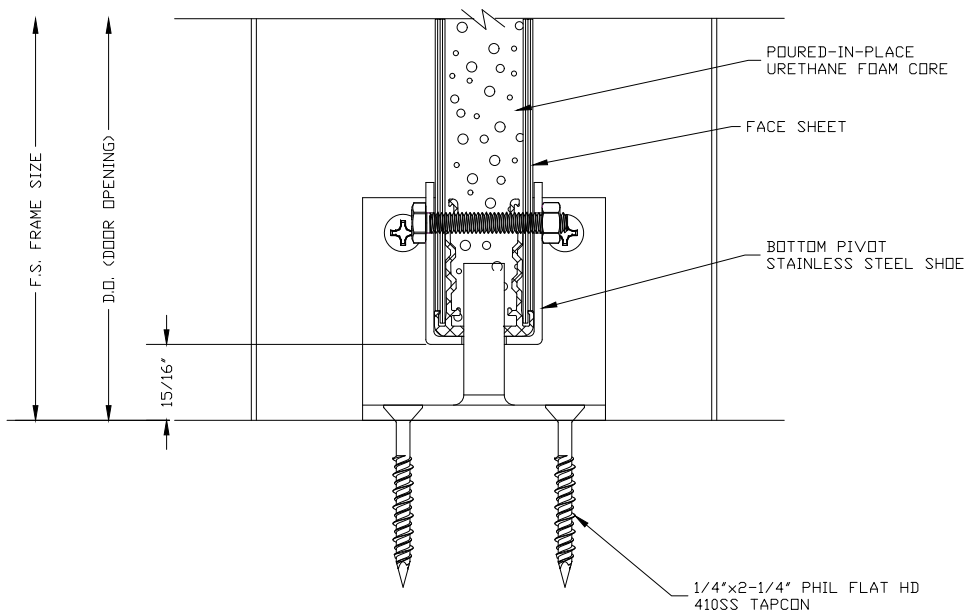
HINGE JAMB DETAIL



HEADER DETAIL



1/4" ACRYLIC VISION LITE KIT DETAIL



SILL DETAIL

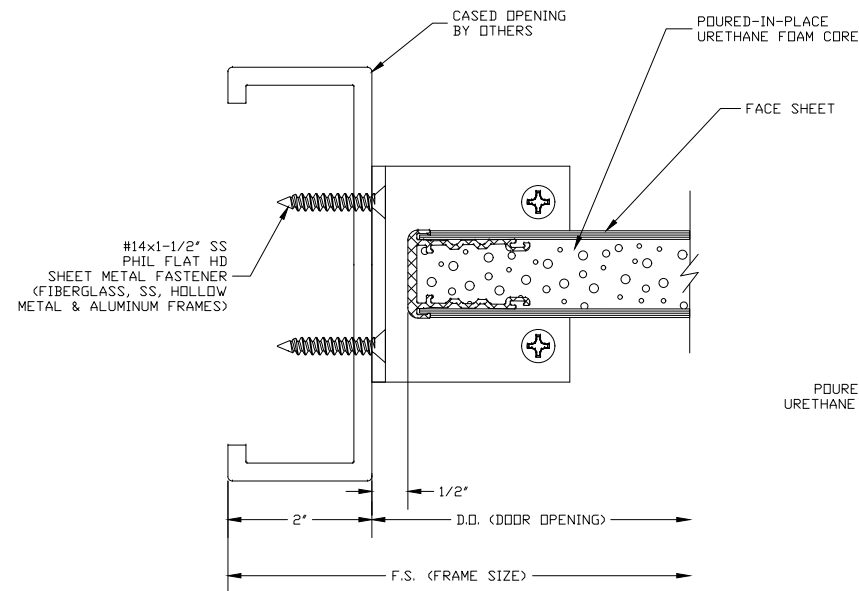
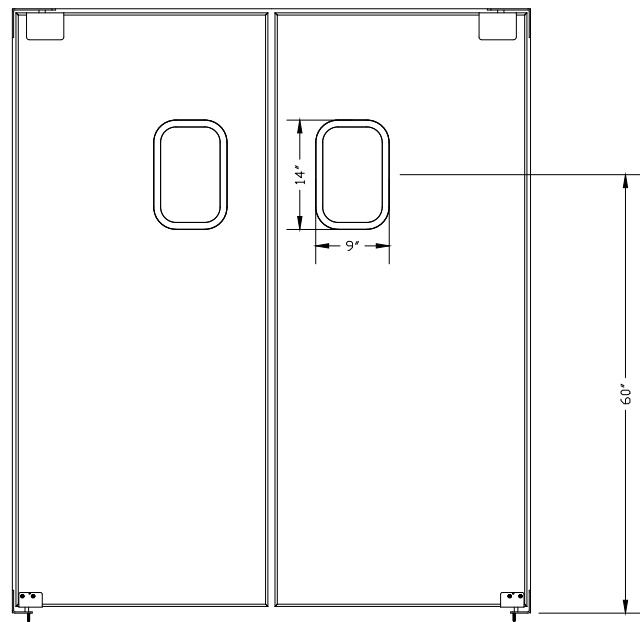
DA-16S	SMOOTH ALUMINUM FACE SHEET
DA-16E	EMBOSSSED ALUMINUM FACE SHEET
DA-16F	FLUTED ALUMINUM FACE SHEET
DA-16SS	STAINLESS STEEL FACE SHEET
DA-17	PEBBLE GRAIN FRP FACE SHEET
DA-19	RUSTIC WOOD GRAIN FRP FACE SHEET
DA-19-1	CONTEMPORARY WOOD GRAIN FRP FACE SHEET
DA-20	SANDSTONE TEXTURE FRP FACE SHEET



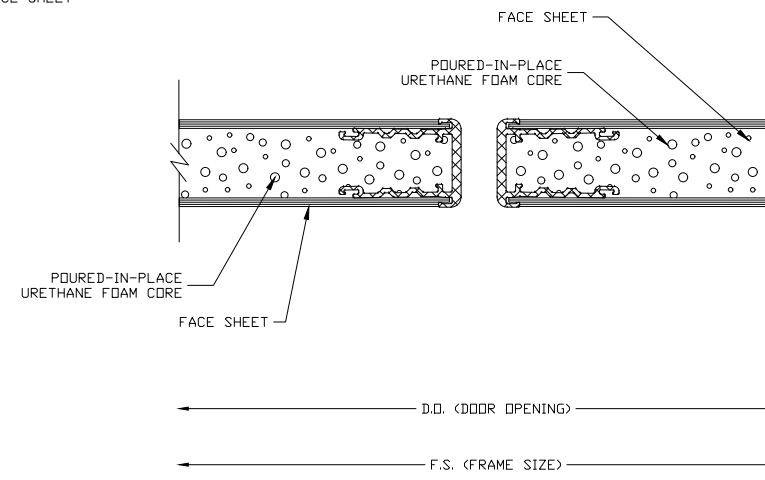
Special-Lite

SPECIAL-LITE, INC.
860 South Williams Street
DECATUR, MI 49045
SPECIAL-LITE.COM

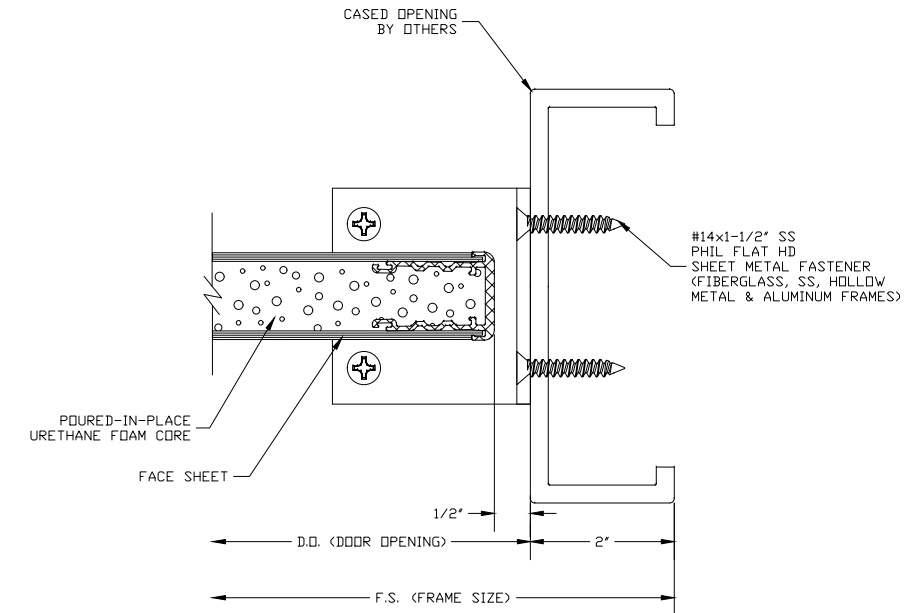
DRAWN BY: JMM		DOUBLE ACTING TRAFFIC DOOR RH	
REVISION			
A	4/9/24	B	6/13/24
C	D	DATE:	3/22/2024
SHEET NO. 1 OF 1		FILE:DATD.dwg	



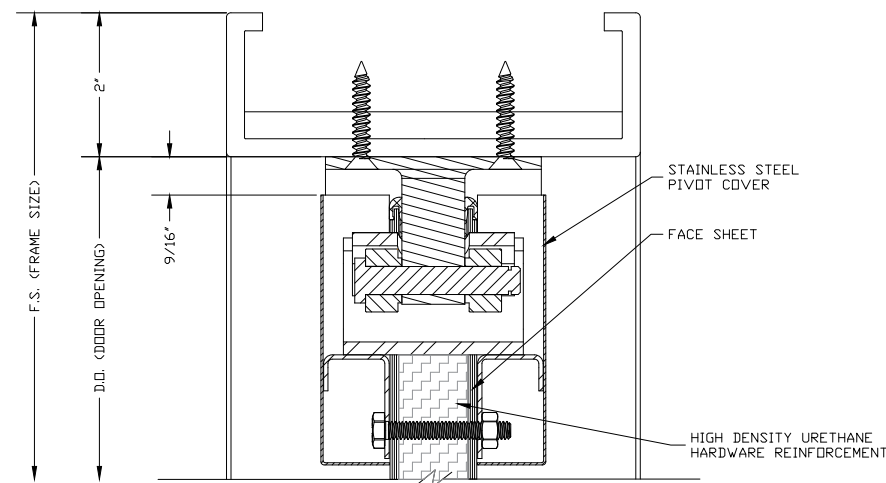
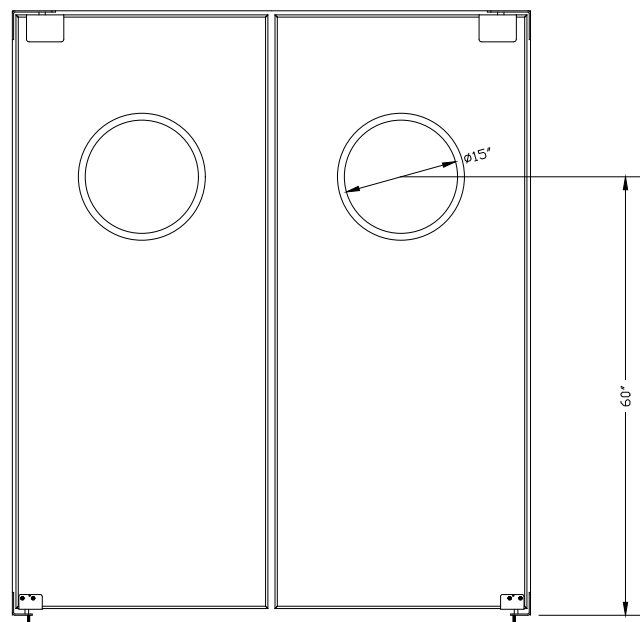
HINGE JAMB DETAIL



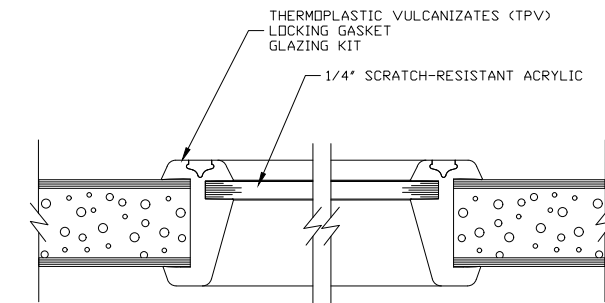
MEETING STILES



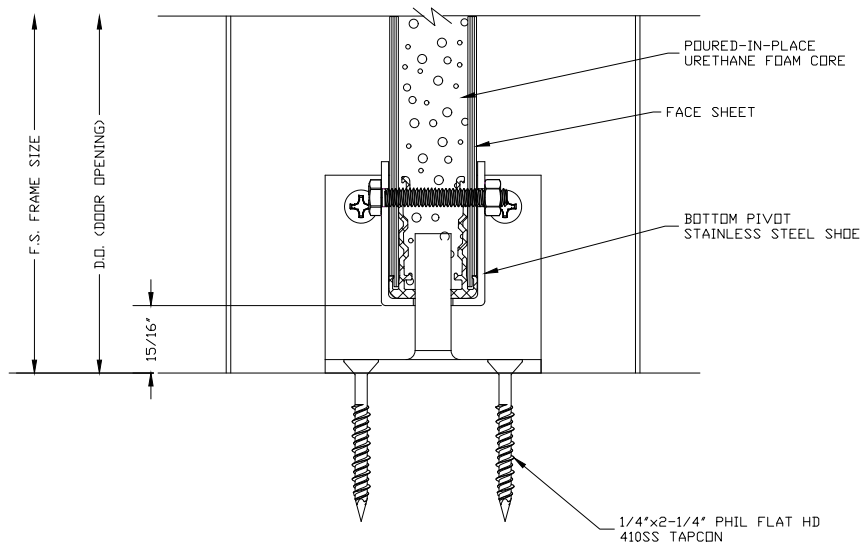
HINGE JAMB DETAIL



HEADER DETAIL



1/4" ACRYLIC VISION LITE KIT DETAIL



SILL DETAIL

DA-16S	SMOOTH ALUMINUM FACE SHEET
DA-16E	EMBOSSSED ALUMINUM FACE SHEET
DA-16F	FLUTED ALUMINUM FACE SHEET
DA-16SS	STAINLESS STEEL FACE SHEET
DA-17	PEBBLE GRAIN FRP FACE SHEET
DA-19	RUSTIC WOOD GRAIN FRP FACE SHEET
DA-19-1	CONTEMPORARY WOOD GRAIN FRP FACE SHEET
DA-20	SANDSTONE TEXTURE FRP FACE SHEET

		SPECIAL-LITE, INC. 860 South Williams Street DECATUR, MI 49045 SPECIAL-LITE.COM	
DRAWN BY: JMM REVISION A 4/9/24 B 6/13/24 C D	DATE: 3/22/2024	SHEET NO. 1 OF 1	FILE: DATD.dwg