
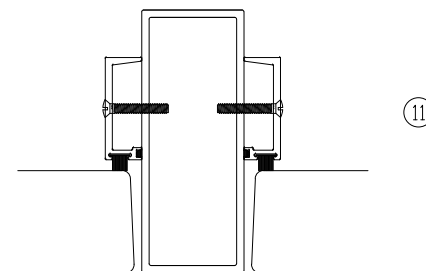
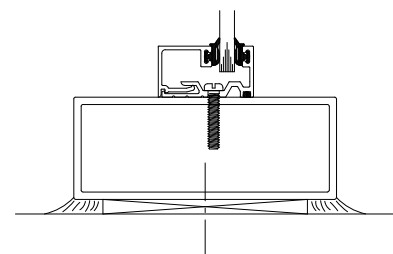
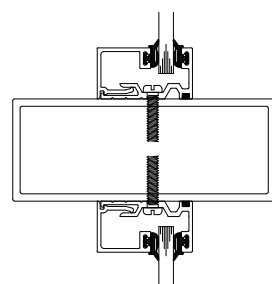
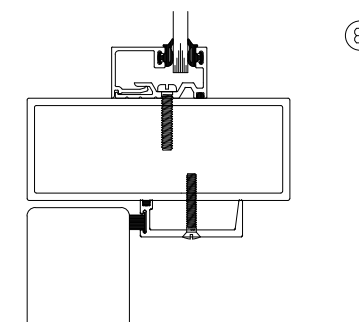
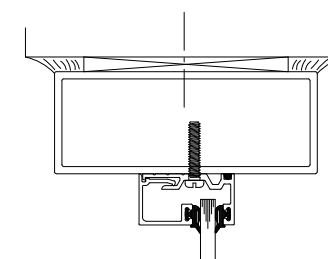
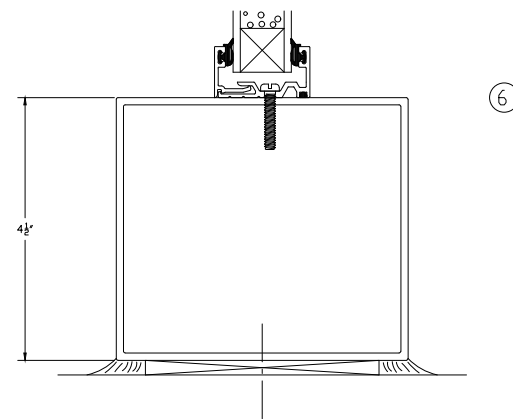
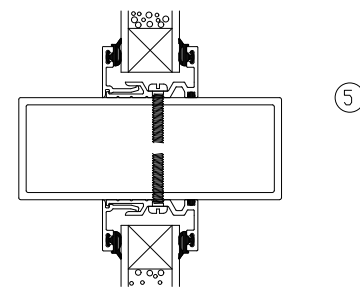
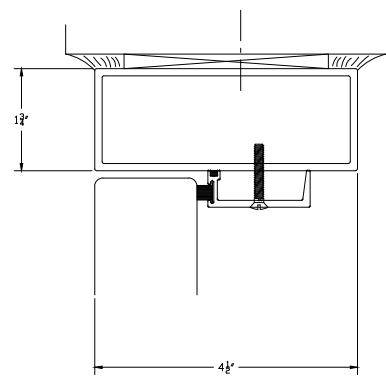
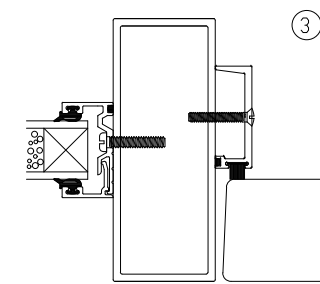
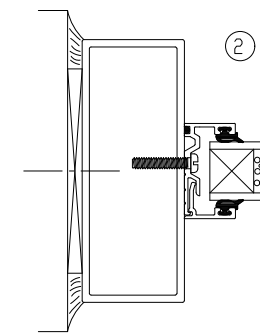
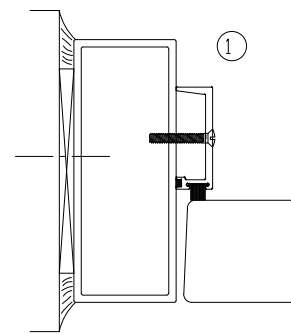
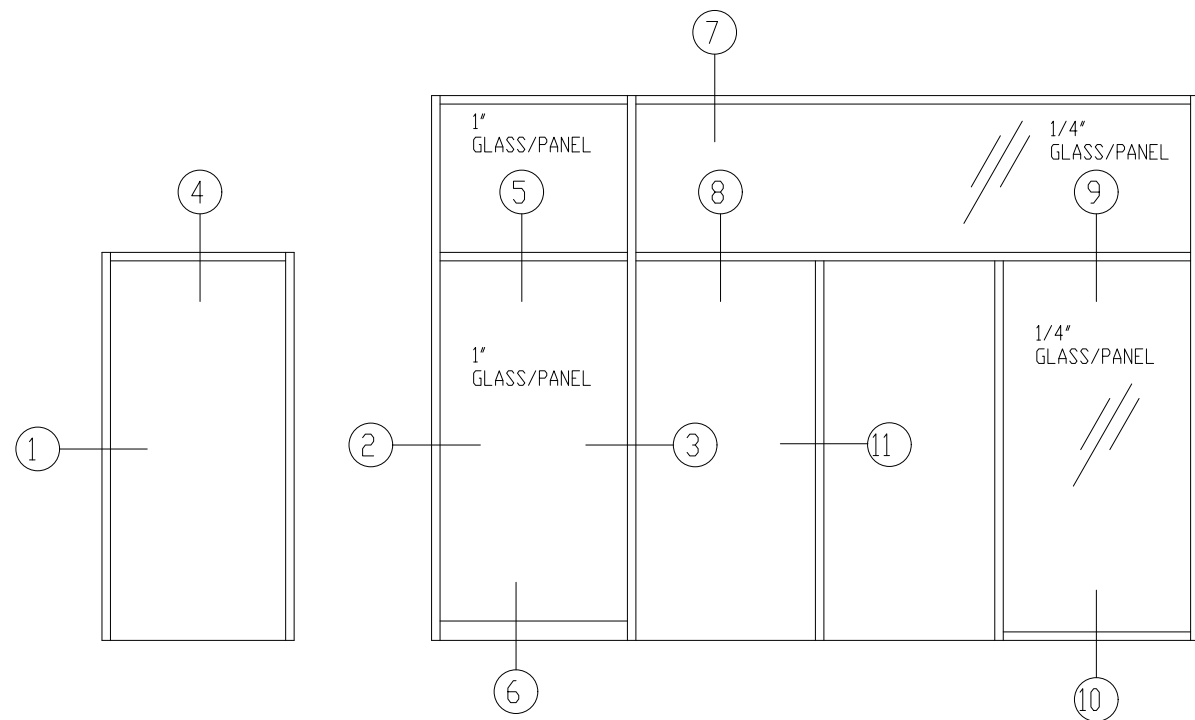


FIXED MULLION OR
SL-61 REMOVABLE POST

		SPECIAL-LITE, INC. 860 South Williams Street P.O. BOX 6 DECATUR, MI 49045 SPECIAL-LITE.COM	
		DRAWN BY: JMM REVISION	1 3/4" X 4" FRAMING SYSTEM APPLIED GLASS STOP
A 3/28/17 B 1/9/19	C 7/18/24 D	FILE: APPLIEDSTOPFRAMING.dwg	



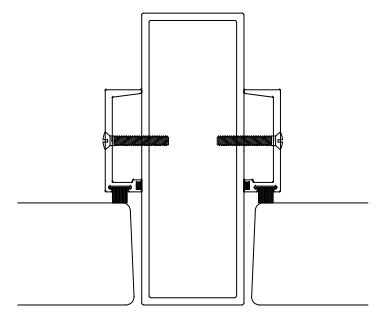
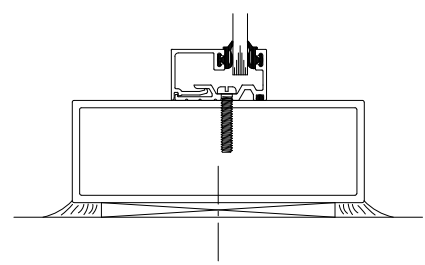
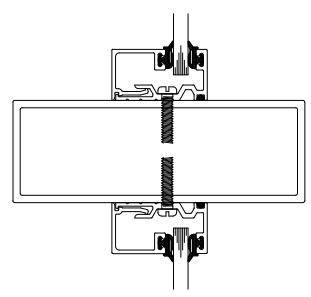
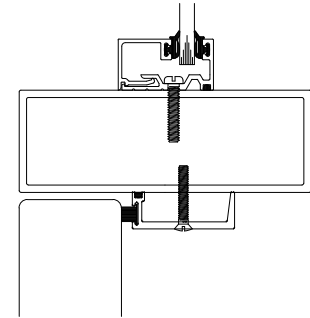
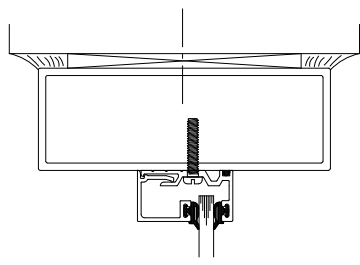
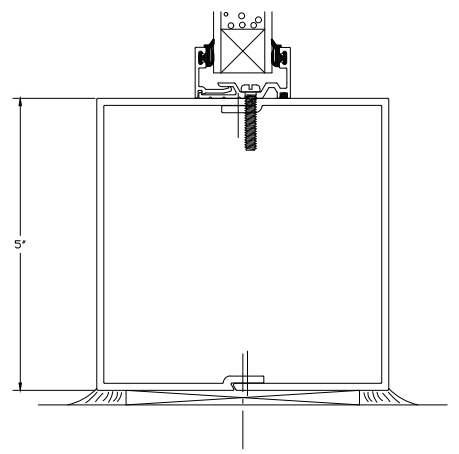
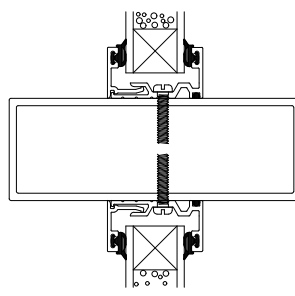
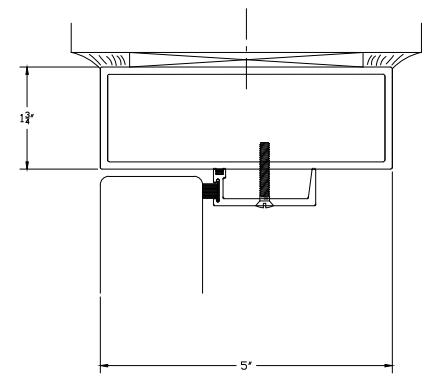
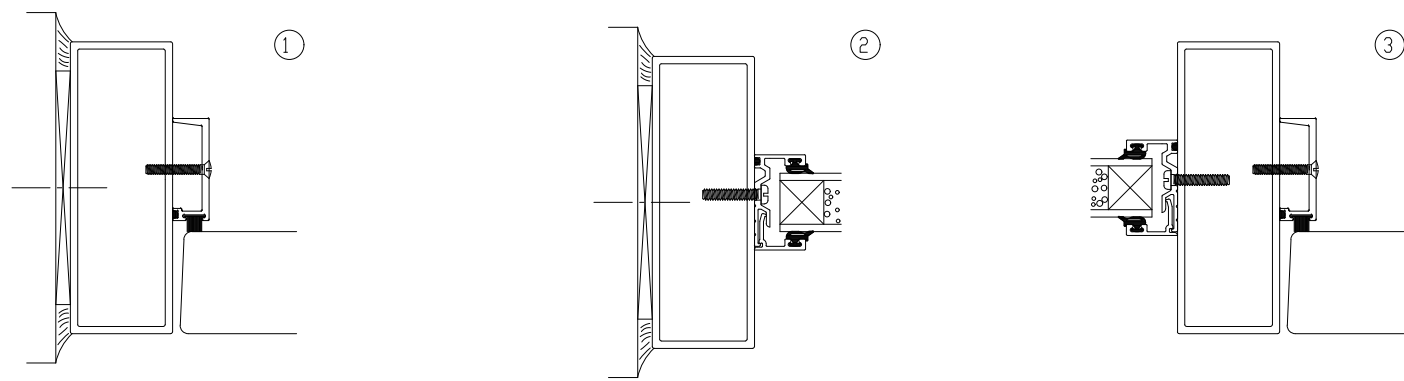
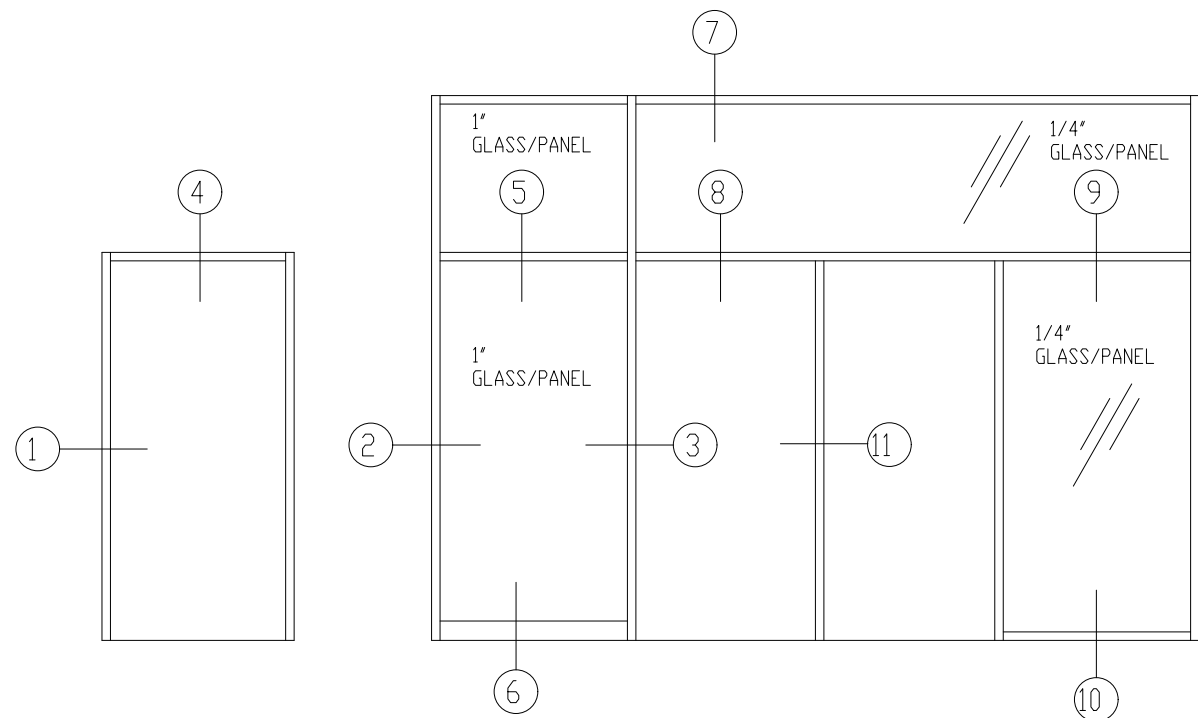
FIXED MULLION OR
SL-61 REMOVABLE POST



SPECIAL-LITE, INC.
860 South Williams Street
P.O. BOX 6
DECATUR, MI 49045

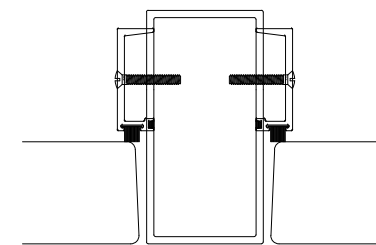
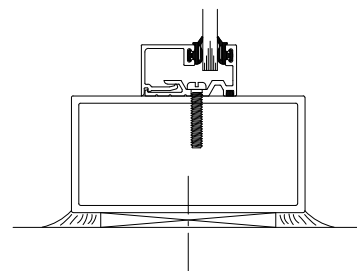
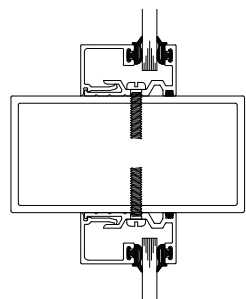
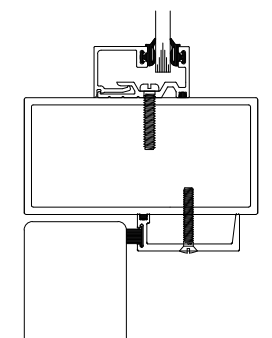
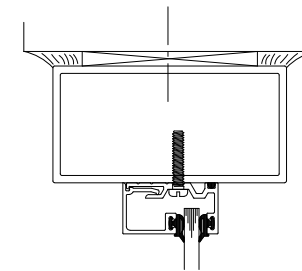
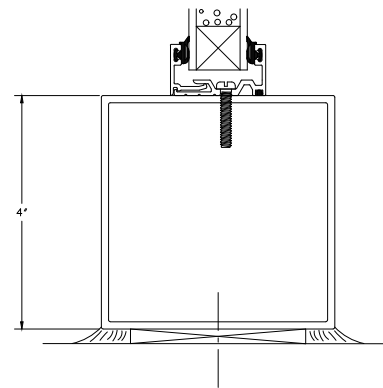
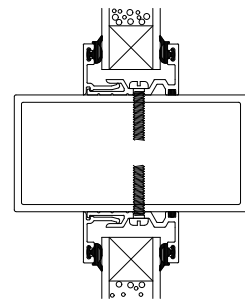
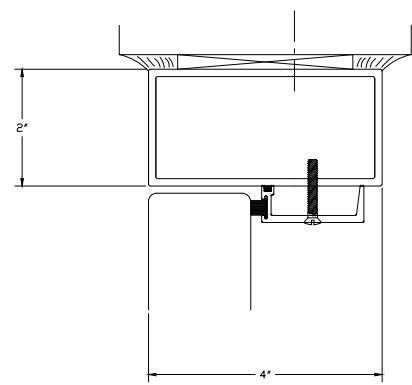
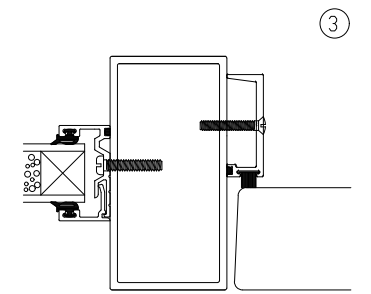
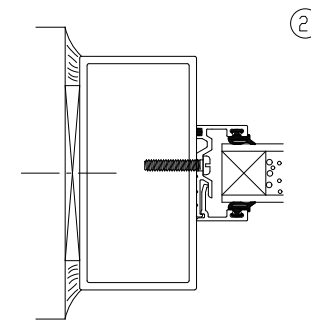
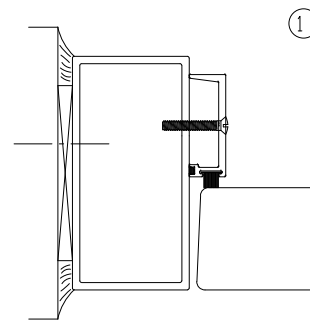
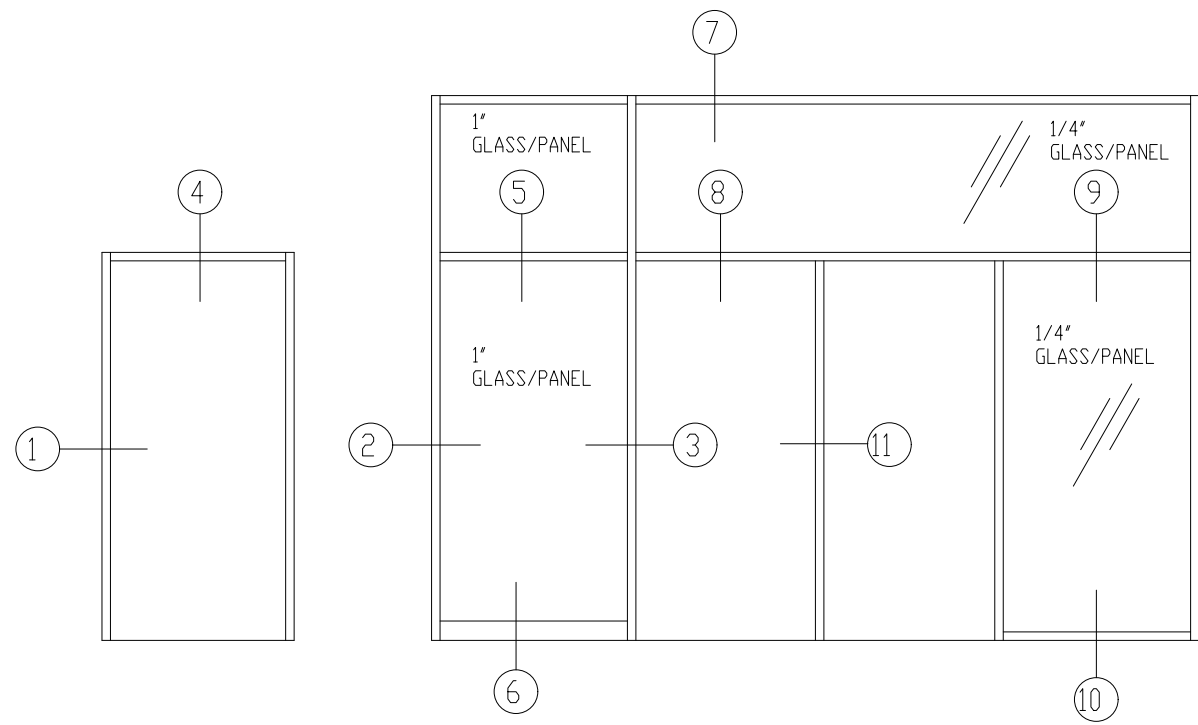
SPECIAL-LITE.COM

DRAWN BY: JMM		1 3/4" X 4 1/2" FRAMING SYSTEM APPLIED GLASS STOP	
REVISION			
A	3/23/17	C	7/18/24
B	1/9/19	D	
DATE:	3/23/2017	SHEET NO.	2 OF 13
			FILE: APPLIEDSTOPFRAMING.dwg



FIXED MULLION OR
SL-61 REMOVABLE POST

		SPECIAL-LITE, INC. 860 South Williams Street P.O. BOX 6 DECATUR, MI 49045 SPECIAL-LITE.COM	
		DRAWN BY: JMM REVISION:	1 3/4" X 5" FRAMING SYSTEM APPLIED GLASS STOP
A 3/28/17 B 1/9/19	C 7/18/24 D	DATE: 3/28/2017	SHEET NO. 3 OF 13 FILE: APPLIEDSTOPFRAMING.dwg



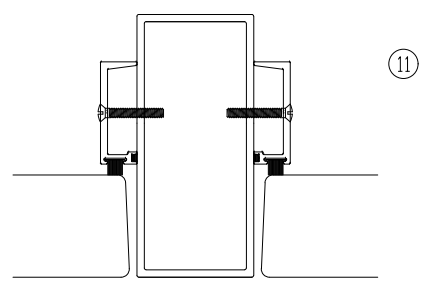
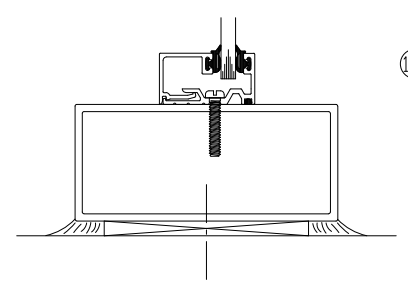
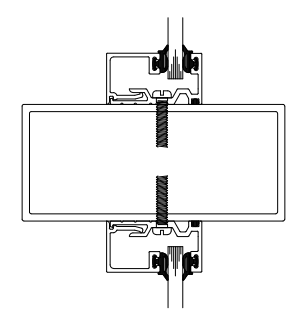
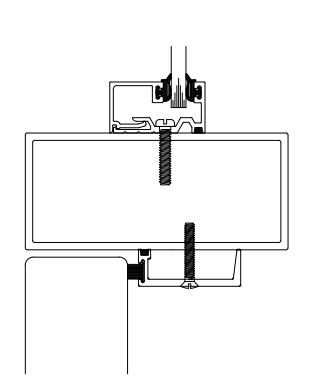
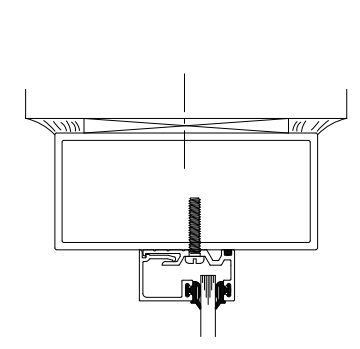
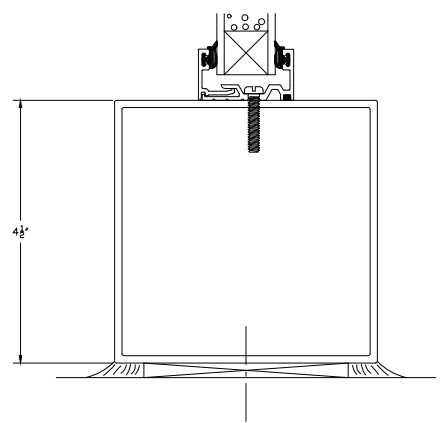
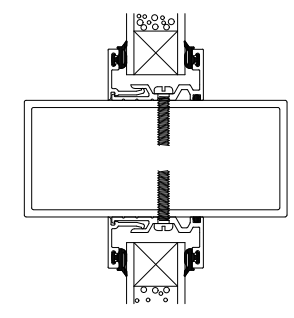
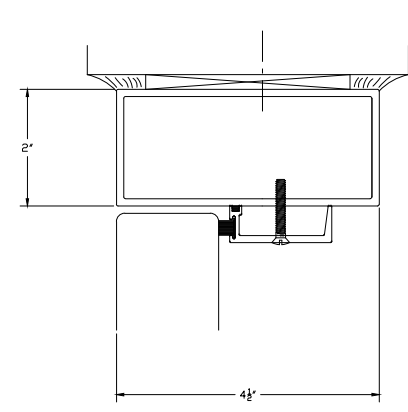
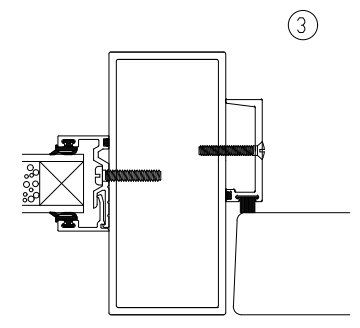
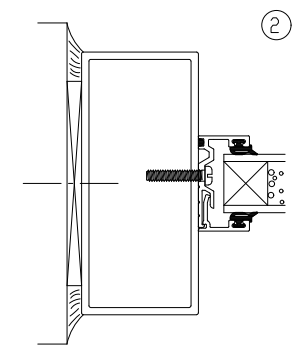
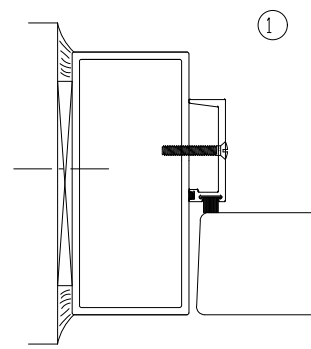
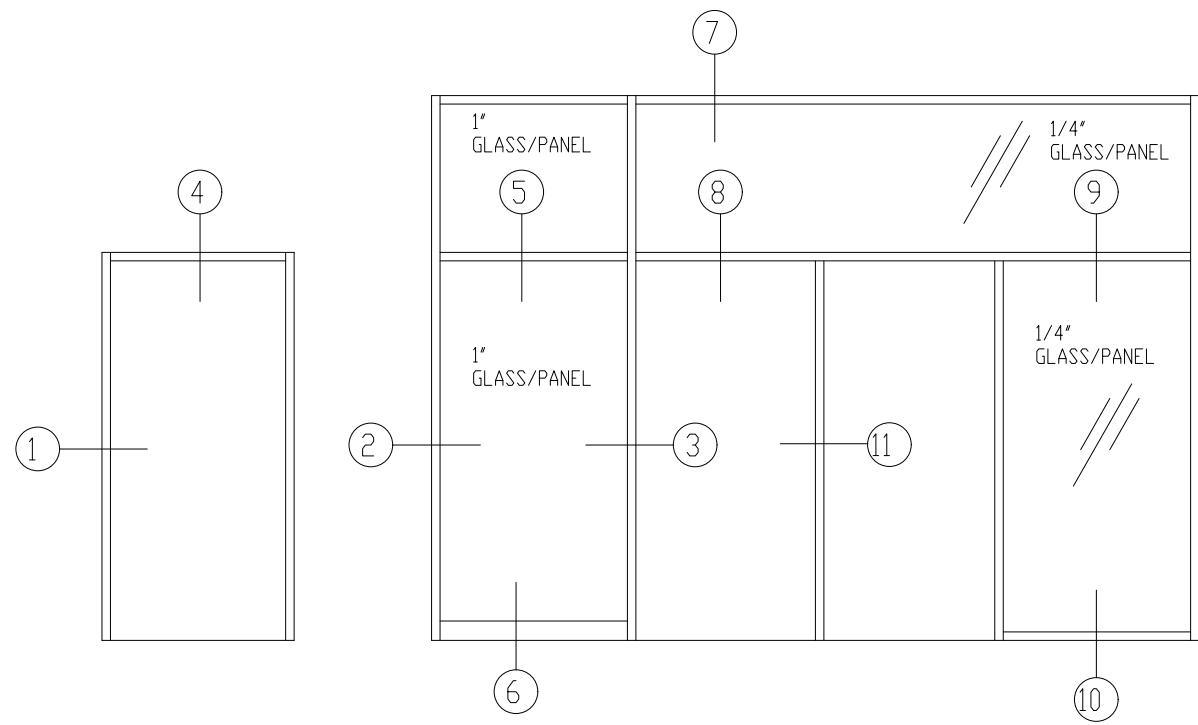
FIXED MULLION OR
SL-61 REMOVABLE POST



SPECIAL-LITE, INC.
860 South Williams Street
P.O. BOX 6
DECATUR, MI 49045

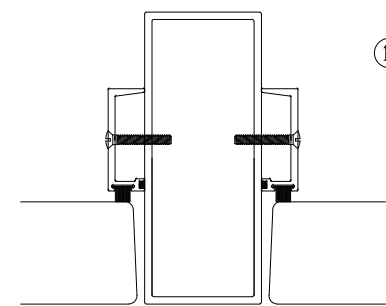
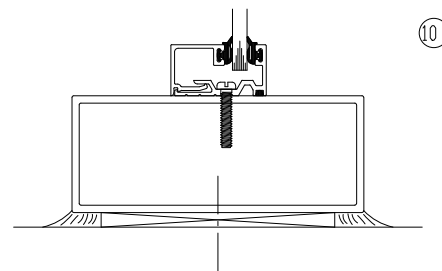
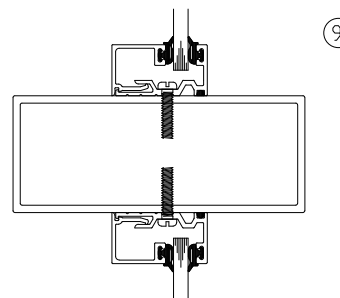
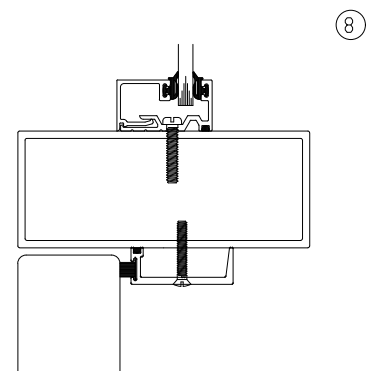
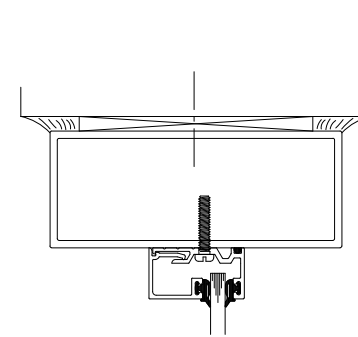
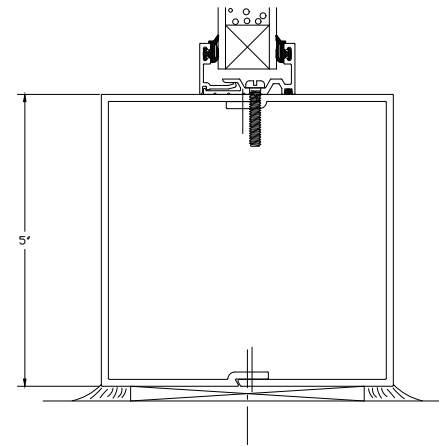
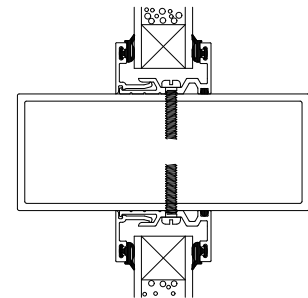
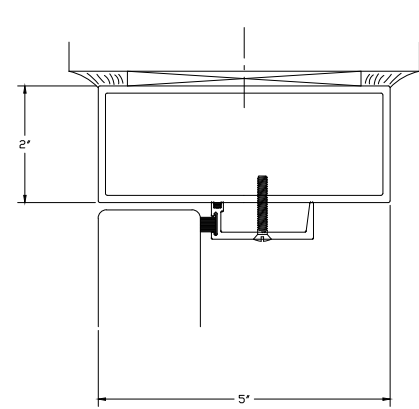
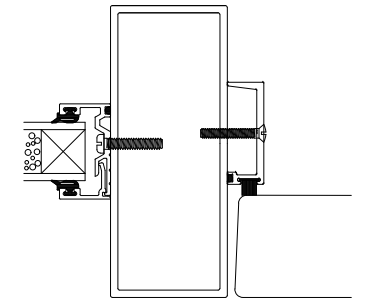
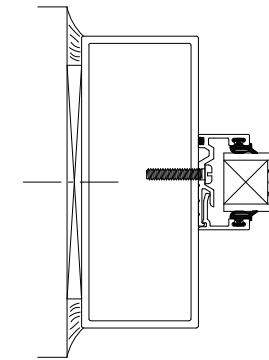
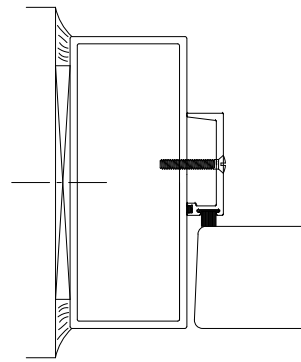
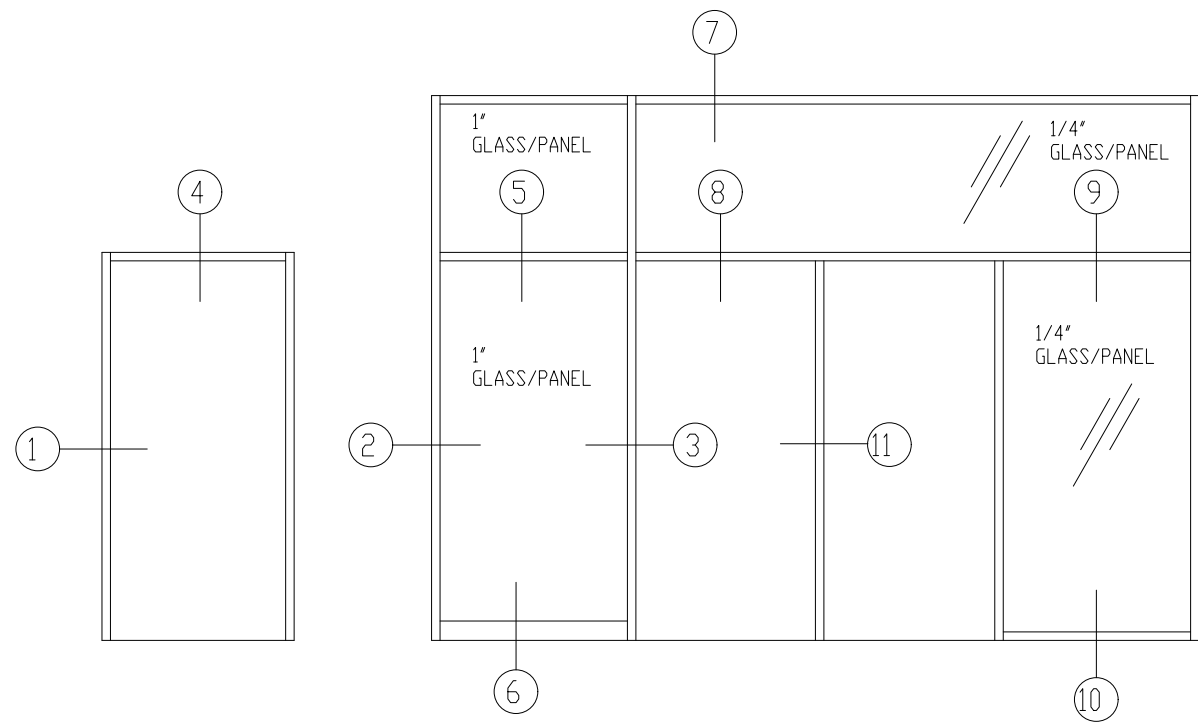
SPECIAL-LITE.COM

DRAWN BY: JMM		2" X 4" FRAMING SYSTEM APPLIED GLASS STOP	
REVISION		DATE: 3/28/2017 SHEET NO. 4 OF 13	
A 3/28/17	C 7/18/24	FILE: APPLIEDSTOPFRAMING.dwg	
B 1/9/19	D		




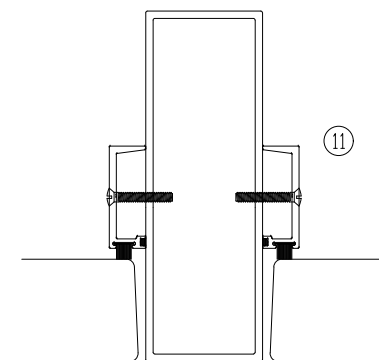
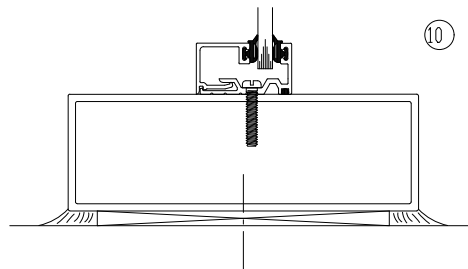
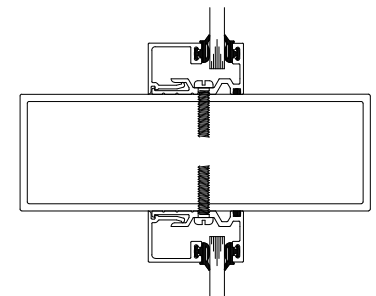
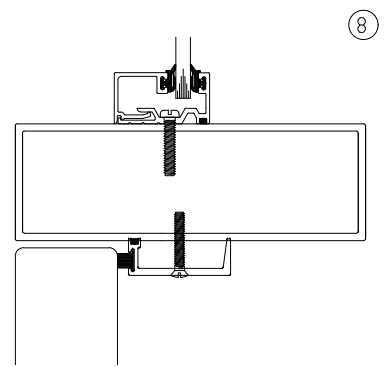
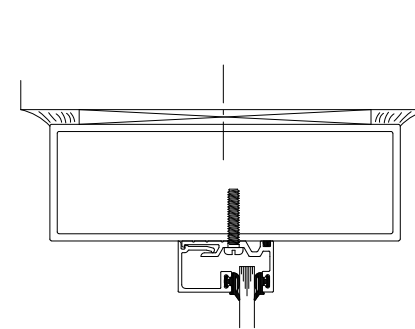
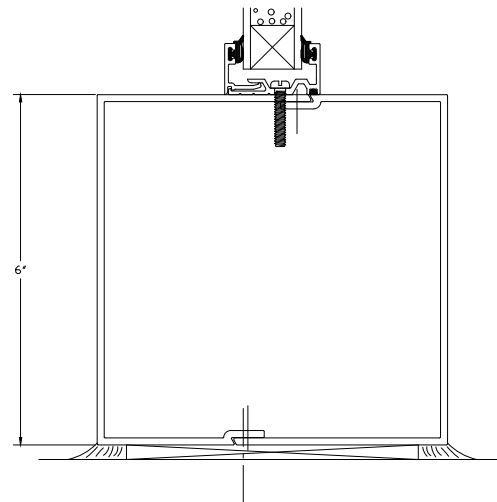
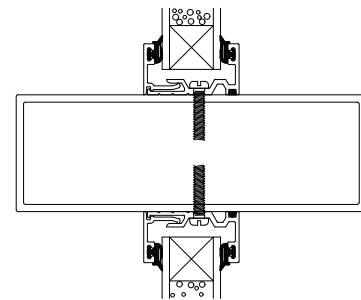
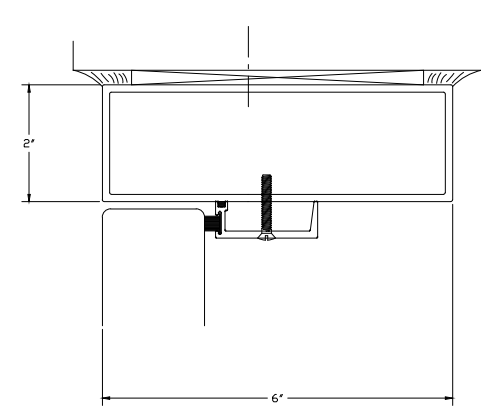
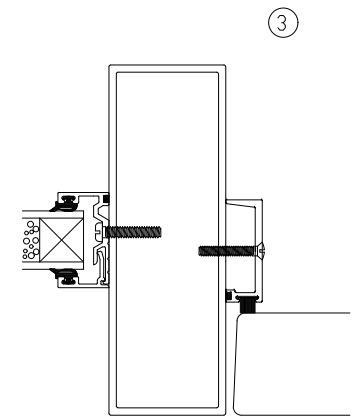
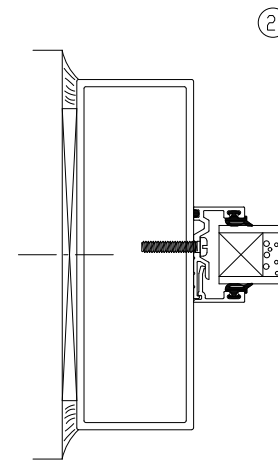
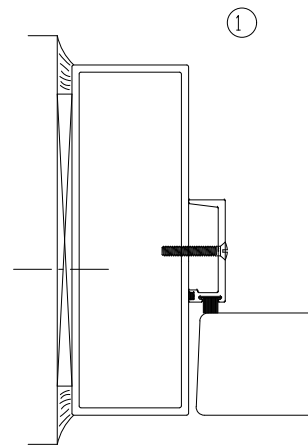
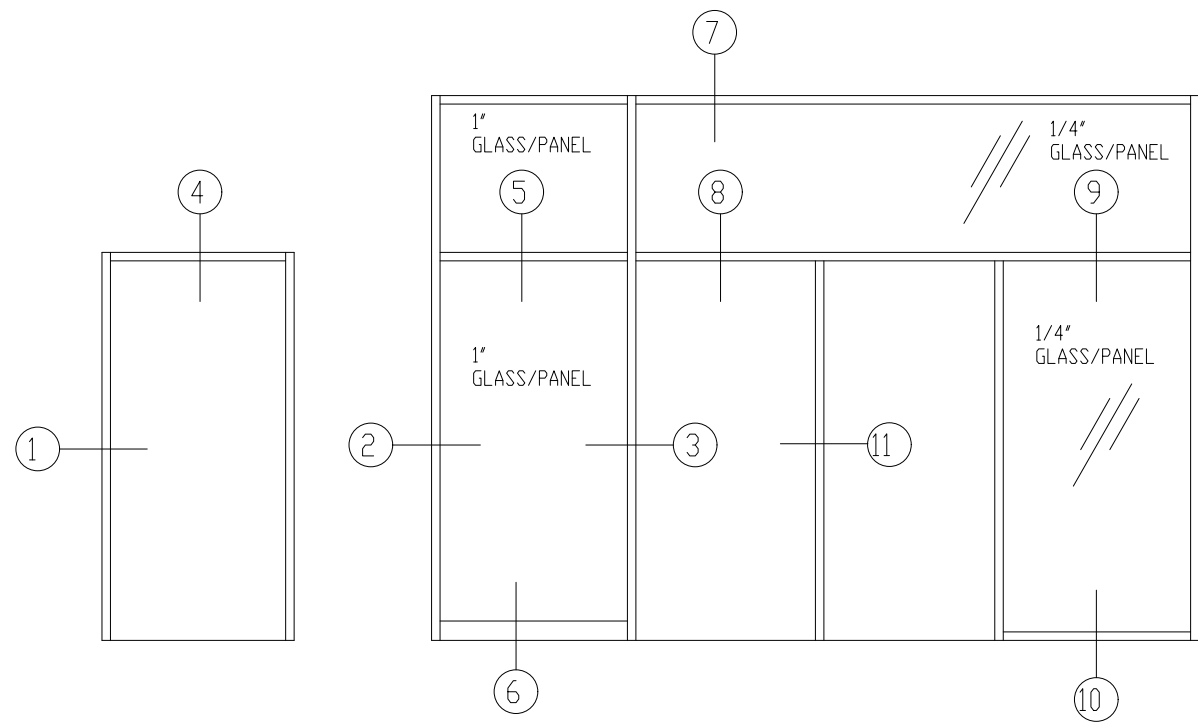
FIXED MULLION OR
SL-61 REMOVABLE POST

		SPECIAL-LITE, INC. 860 South Williams Street P.O. BOX 6 DECATUR, MI 49045 SPECIAL-LITE.COM	
		DRAWN BY: JMM REVISION	2" X 4 1/2" FRAMING SYSTEM APPLIED GLASS STOP
A 3/28/17 B 1/9/19	C 7/18/24 D	DATE: 3/28/2017	SHEET NO. 5 OF 13 FILE: APPLIEDSTOPFRAMING.dwg



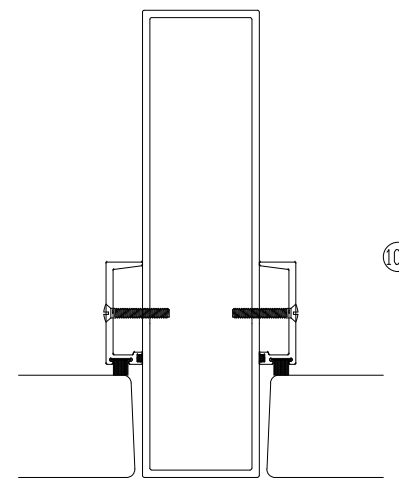
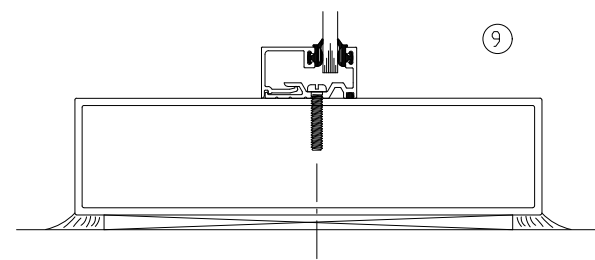
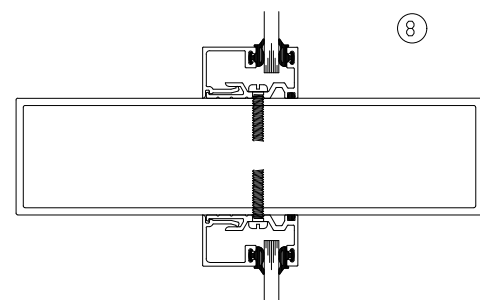
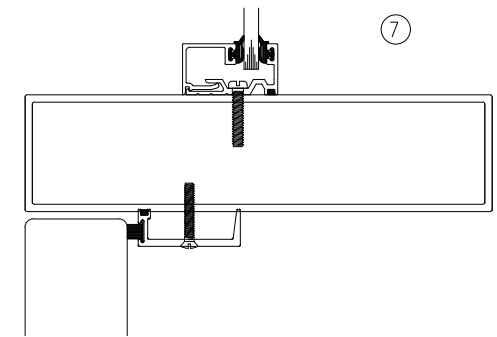
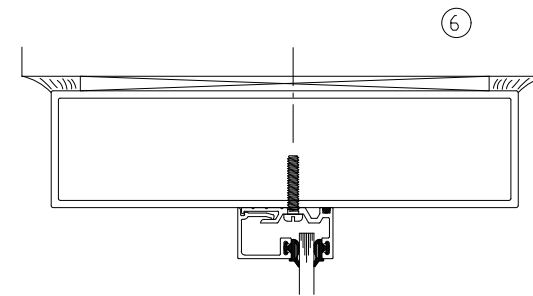
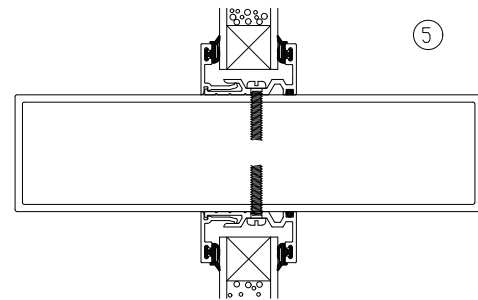
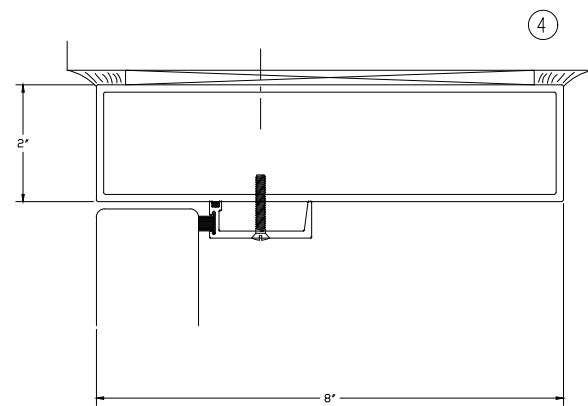
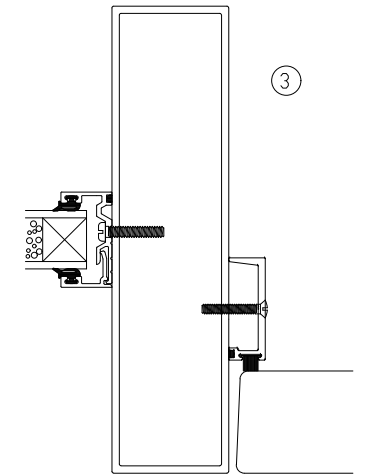
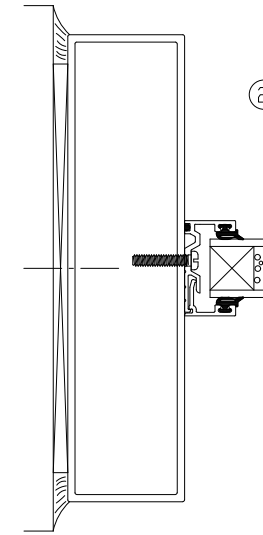
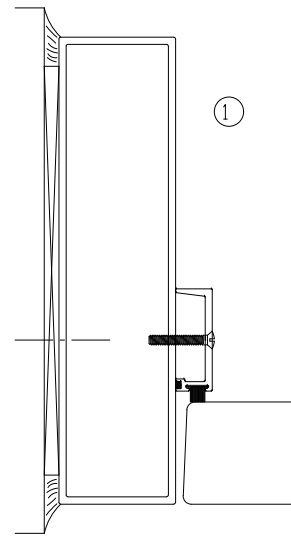
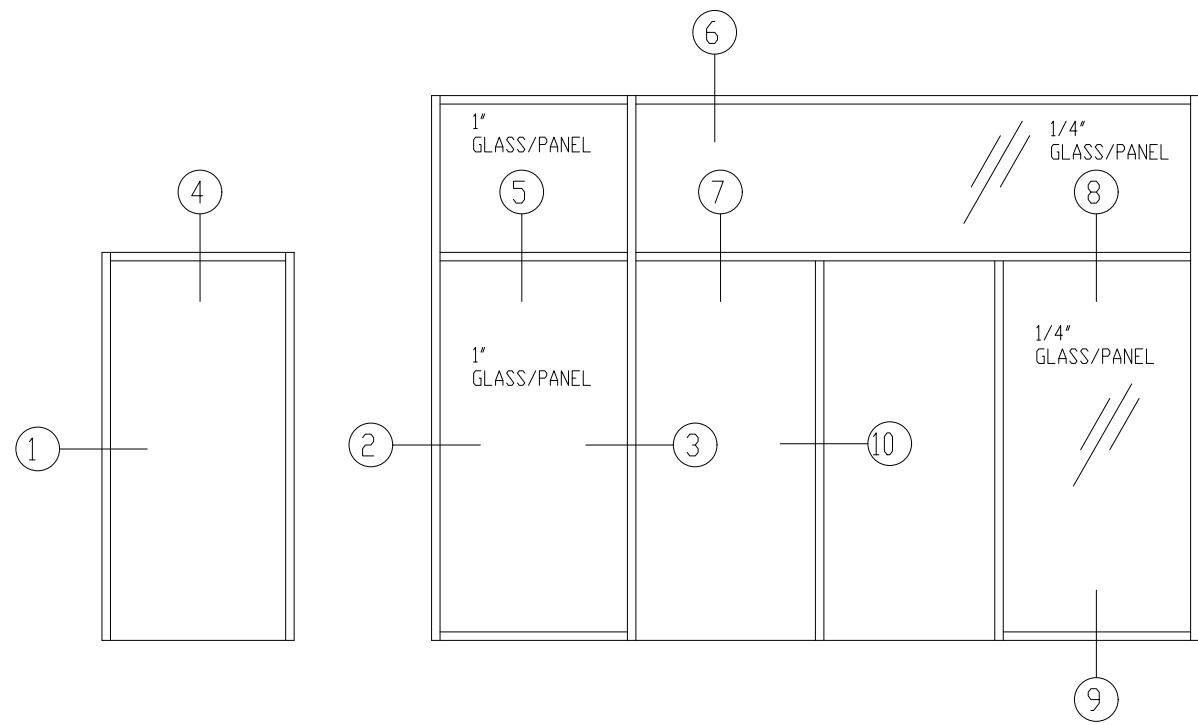
FIXED MULLION OR
SL-61 REMOVABLE POST

		SPECIAL-LITE, INC. 860 South Williams Street P.O. BOX 6 DECATUR, MI 49045 SPECIAL-LITE.COM	
		2" X 5" FRAMING SYSTEM APPLIED GLASS STOP	
DRAWN BY: JMM REVISION:	A 3/28/17 B 1/9/19	C 7/18/24 D	DATE: 3/28/2017 SHEET NO. 6 OF 13 FILE: APPLIEDSTOPFRAMING.dwg




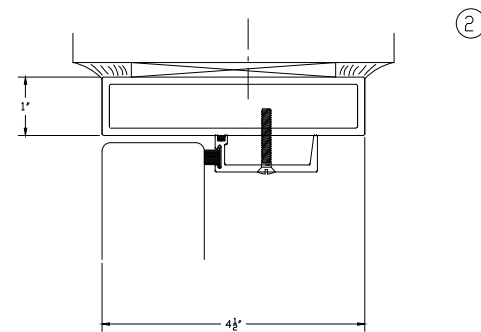
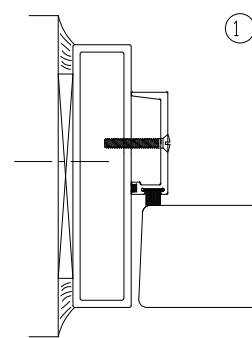
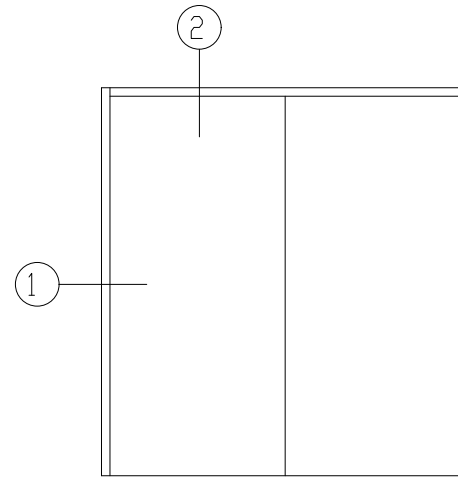
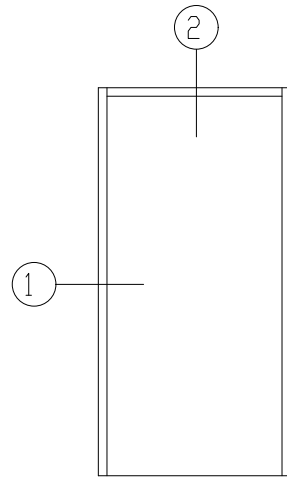
FIXED MULLION OR
SL-61 REMOVABLE POST

		SPECIAL-LITE, INC. 860 South Williams Street P.O. BOX 6 DECATUR, MI 49045 SPECIAL-LITE.COM	
		DRAWN BY: JMM REVISION:	2" X 6" FRAMING SYSTEM APPLIED GLASS STOP
A 3/28/17 B 11/9/19	C 7/18/24 D	DATE: 3/28/2017	SHEET NO. 7 OF 13 FILE: APPLIEDSTOPFRAMING.dwg



FIXED MULLION OR
SL-61 REMOVABLE POST

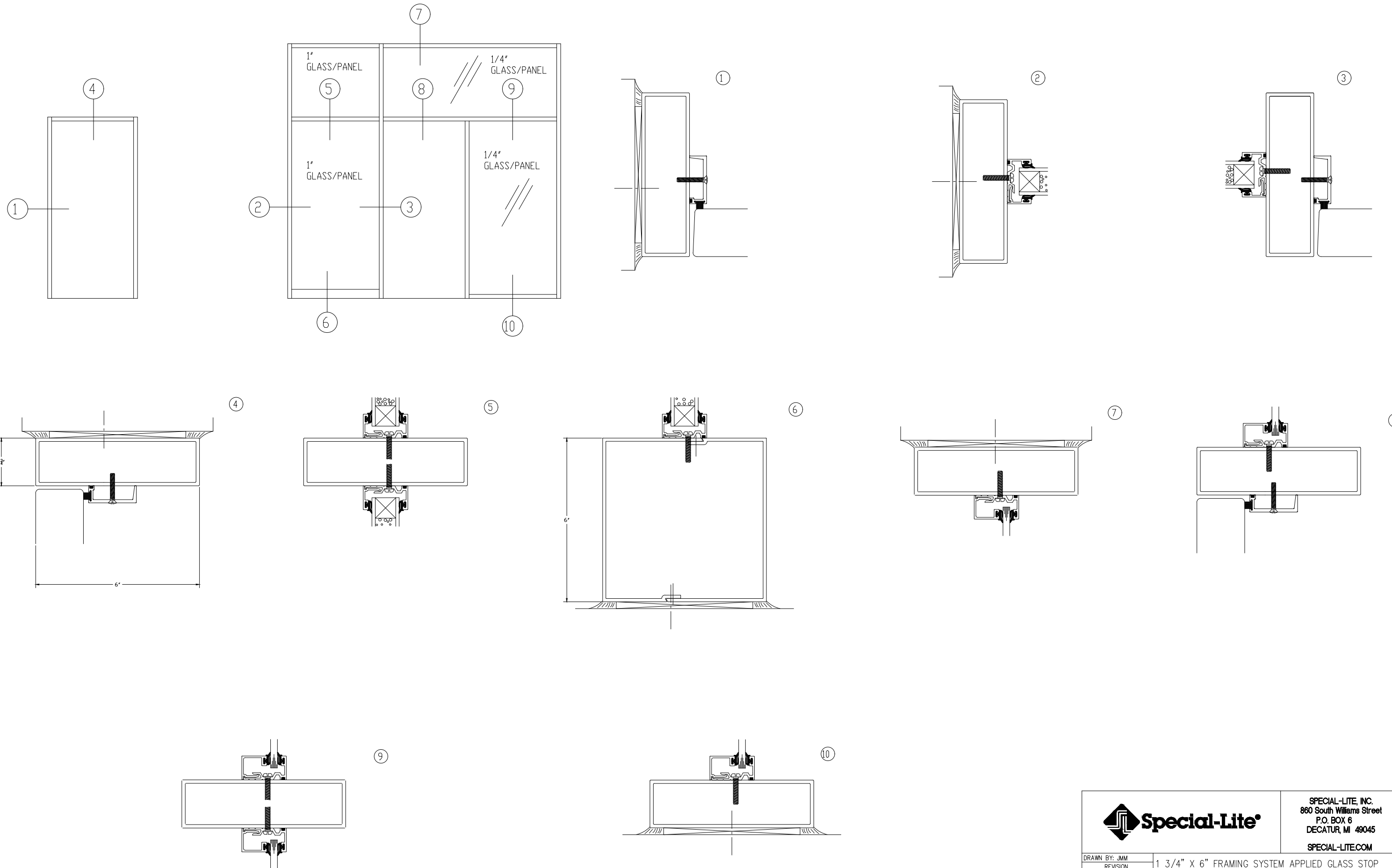
		SPECIAL-LITE, INC. 860 South Williams Street P.O. BOX 6 DECATUR, MI 49045 SPECIAL-LITE.COM	
		DRAWN BY: JMM REVISION:	2" X 8" FRAMING SYSTEM APPLIED GLASS STOP
A 7/18/24 B	C D	DATE: 7/18/2024	SHEET NO. 8 OF 13 FILE: APPLIEDSTOPFRAMING.dwg




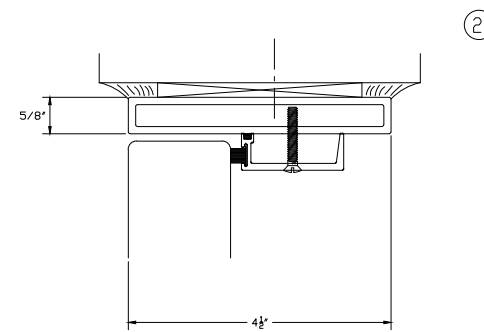
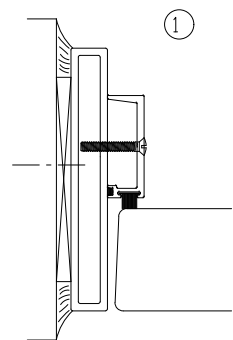
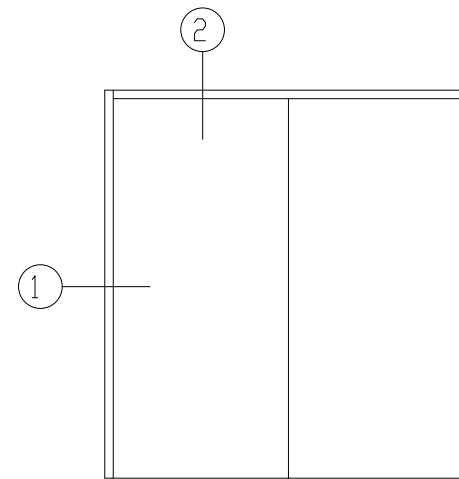
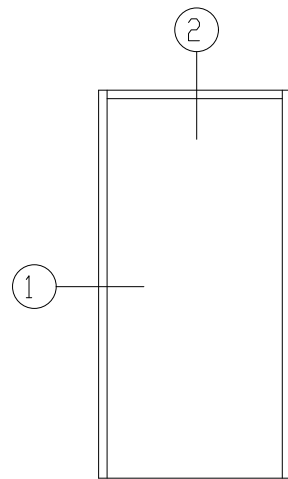
SPECIAL-LITE, INC.
 860 South Williams Street
 P.O. BOX 6
 DECATUR, MI 49045

SPECIAL-LITE.COM

DRAWN BY: JMM		1" X 4 1/2" FRAMING SYSTEM APPLIED GLASS STOP	
REVISION			
A	3/28/17	C	7/18/24
B	1/9/19	D	
DATE: 3/28/2017		SHEET NO. 9 OF 13	
FILE: APPLIEDSTOPFRAMING.dwg			

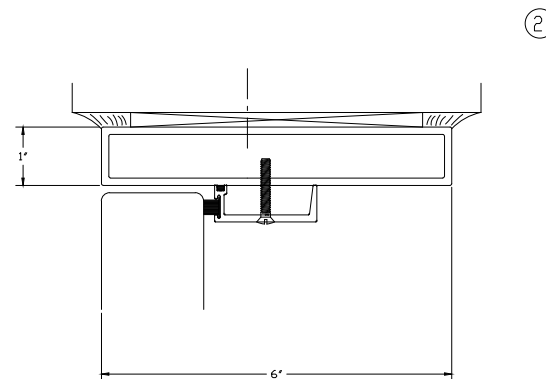
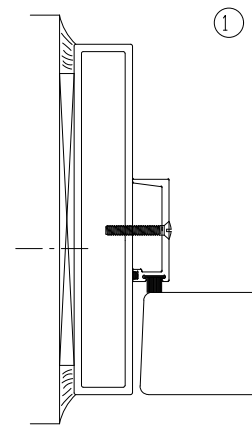
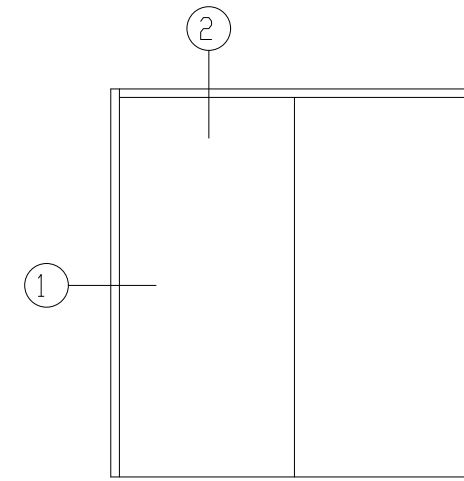
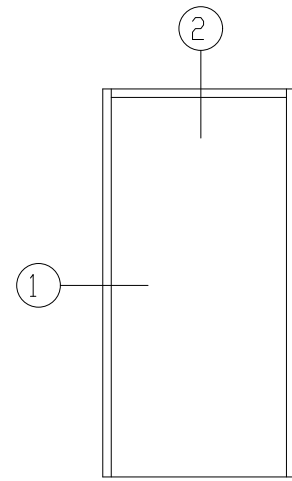



		SPECIAL-LITE, INC. 860 South Williams Street P.O. BOX 6 DECATUR, MI 49045 SPECIAL-LITE.COM	
		DRAWN BY: JMM REVISION:	1 3/4" X 6" FRAMING SYSTEM APPLIED GLASS STOP
A 3/28/17 B 1/9/19	C 7/18/24 D	SHEET NO.10 OF 13	FILE: APPLIEDSTOPFRAMING.dwg

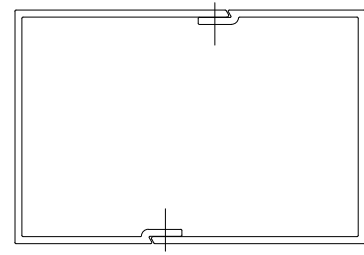


SPECIAL-LITE, INC.
 860 South Williams Street
 P.O. BOX 6
 DECATUR, MI 49045
 SPECIAL-LITE.COM

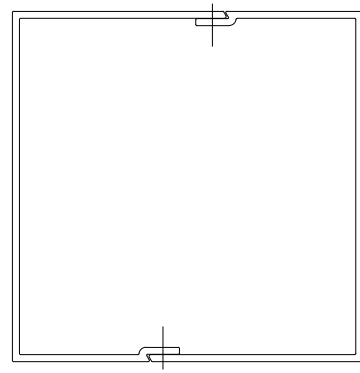
DRAWN BY: JMM		5/8" X 4 1/2" FRAMING SYSTEM APPLIED GLASS STOP	
REVISION			
A	3/28/17	C	7/18/24
B	1/9/19	D	
DATE: 3/28/2017		SHEET NO. 11 OF 13	
FILE: APPLIEDSTOPFRAMING.dwg			



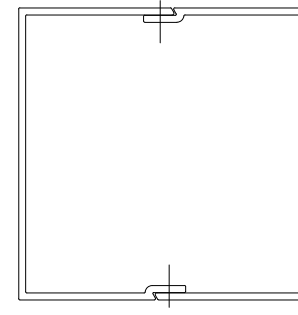
		SPECIAL-LITE, INC. 860 South Williams Street P.O. BOX 6 DECATUR, MI 49045 SPECIAL-LITE.COM	
		DRAWN BY: JMM REVISION	
A 3/28/17 C 7/18/24 B 11/9/19 D		1" X 6" FRAMING SYSTEM APPLIED GLASS STOP DATE: 3/28/2017 SHEET NO. 12 OF 13 FILE: APPLIEDSTOPFRAMING.dwg	



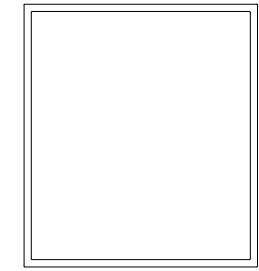
4" X 6" SPLIT TUBE



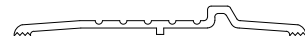
6" X 6" SPLIT TUBE



5" X 5" SPLIT TUBE



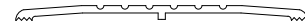
4 1/2" X 4 1/2" TUBE



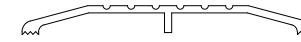
THRS-6 THRESHOLD
1/2" X 5" LATCH TRACK



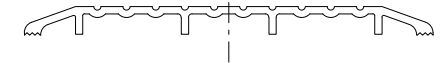
THRS-1 THRESHOLD
1/2" X 4"



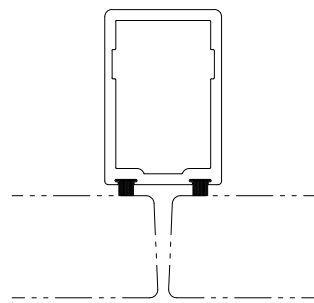
THRS-5 THRESHOLD
1/4" X 5"



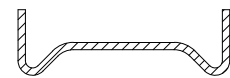
THRS-2 THRESHOLD
1/2" X 5"



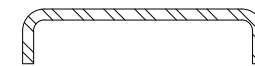
THRS-4 THRESHOLD
1/2" X 7"



SL-60 REMOVABLE MULLION



SR-01 STEEL
FRAME STIFFENER



SR-02 STEEL
FRAME STIFFENER



COVE MOULDING



SPECIAL-LITE, INC.
860 South Williams Street
P.O. BOX 6
DECATUR, MI 49045

SPECIAL-LITE.COM

DRAWN BY: JMM		FRAMING SYSTEM APPLIED GLASS STOP (MISC ITEMS)	
REVISION		DATE: 3/28/2017	SHEET NO. 13 OF 13
A 3/28/17	C	FILE: APPLIEDSTOPFRAMING.dwg	
B 7/18/24	D		