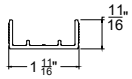
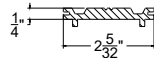


Base Setting Channel



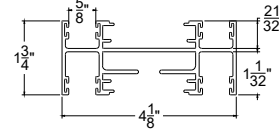
SP-010

Hardware Reinforcement



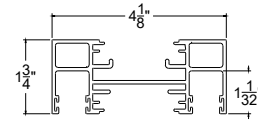
SP-028

DG Vertical Mullion



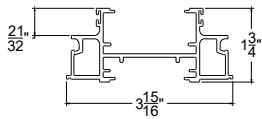
SP-047

DG Deep Pocket



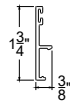
SP-048

DG Sill



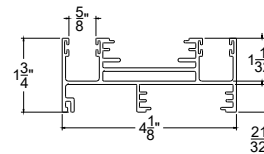
SP-049

DG Sill Snap



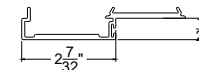
SP-050

DG Door Jamb



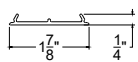
SP-051

DG Door Stop



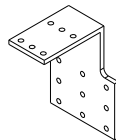
SP-052

Snap-in Channel Cover



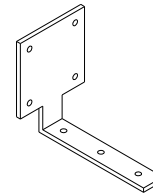
SP-053

B Clip



PT-22-1501

F Clip



PT-22-1505

Vinyl Bulb



BL-1031

1/4" Setting Block



PT-22-1524

1/2" Setting Block

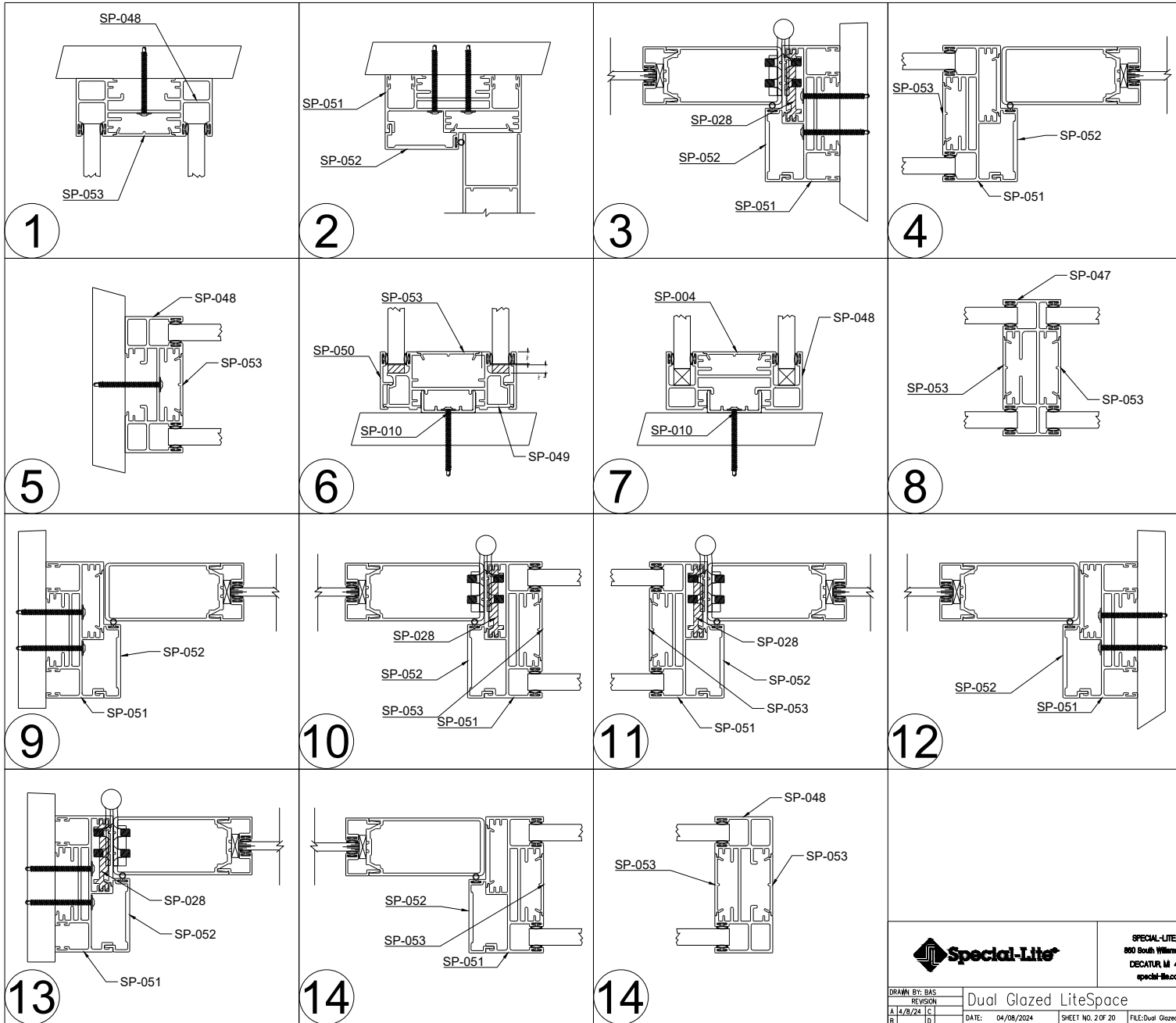


PT-22-1525



SPECIAL-LITE, INC.
800 South Williams Street
DECATUR, MI 48045
special-lite.com

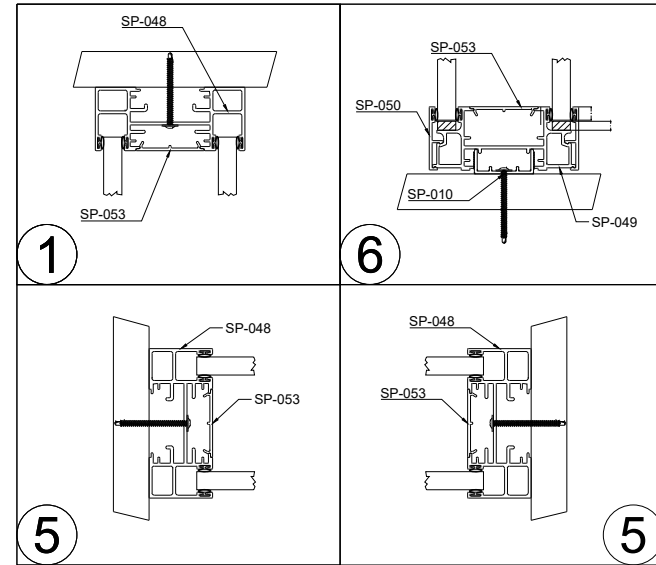
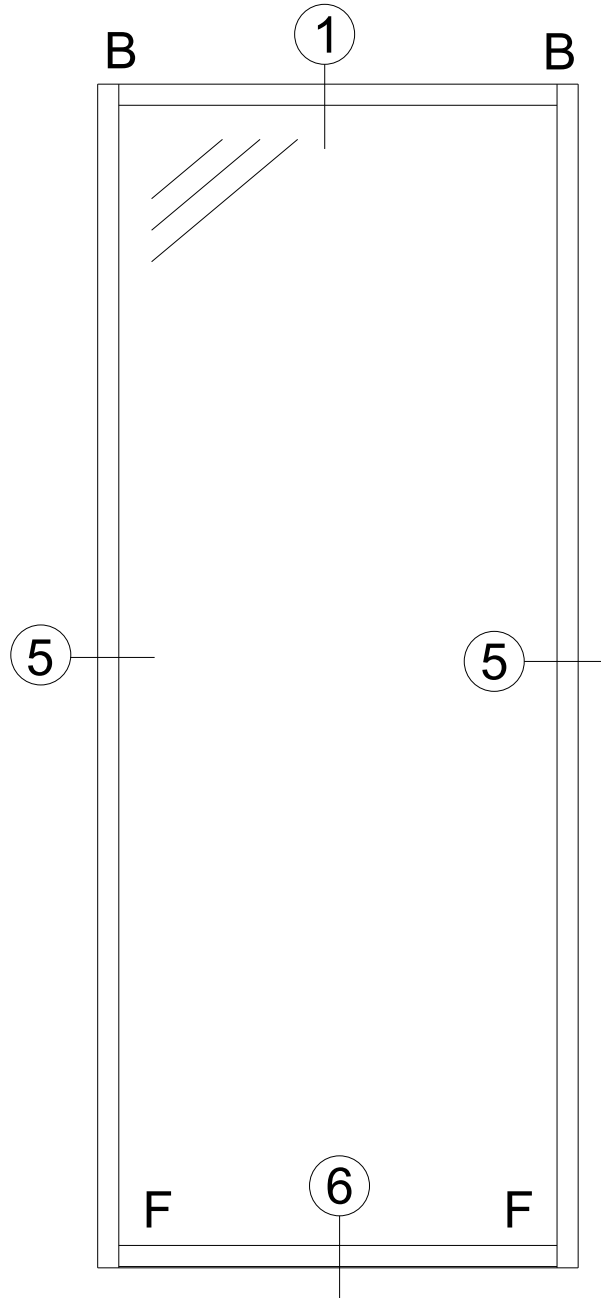
| | | | |
|---------------|----------|-----------------------|---------------------------------|
| DRAWN BY: BAS | | Dual Glazed LiteSpace | |
| REVISION | | DATE: 04/08/2024 | SHEET NO. 1 OF 20 |
| A | 4/8/24 C | | |
| B | | | FILE: Dual Glazed LiteSpace.dwg |



SPECIAL-LITE, INC.
 800 South Wilshire Street
 DECATUR, GA 40045
 special-lite.com

| | | | |
|---------------|--------|-----------------------|---------------------------------|
| DRAWN BY: BAS | | Dual Glazed LiteSpace | |
| REVISION | | DATE: 04/08/2024 | SHEET NO. 2 OF 20 |
| A | 4/8/24 | IC | FILE: Dual Glazed LiteSpace.dwg |
| B | | ID | |

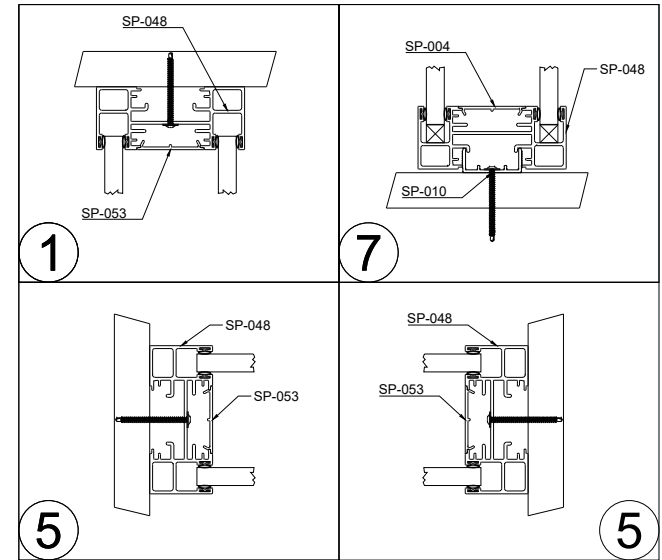
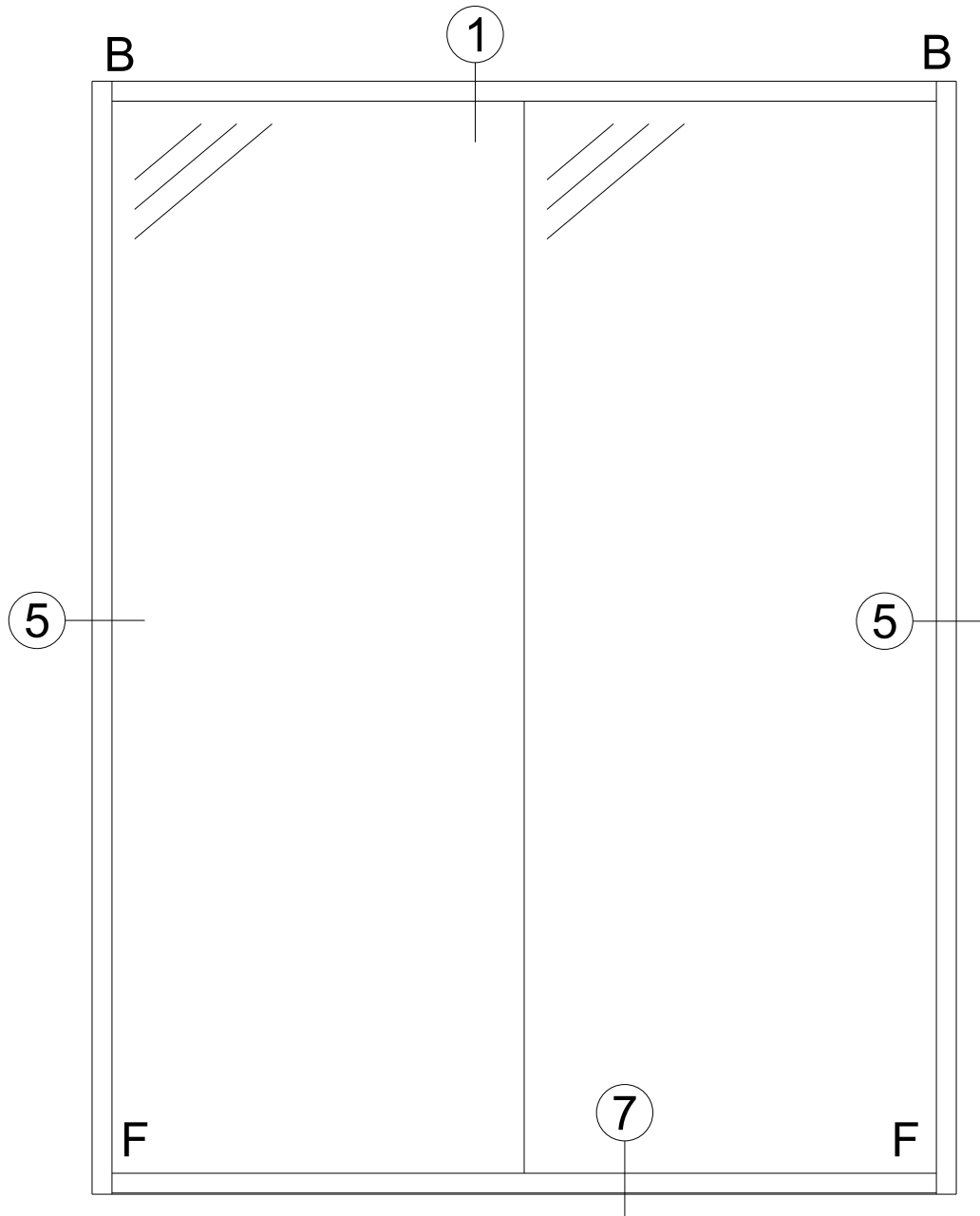
Borrowed Lite (Single Pane)



SPECIAL-LITE, INC.
860 South Williams Street
DECATUR, MI 49045
special-lite.com

| | | | |
|------------------|--------|-----------------------|---------------------------------|
| DRAWN BY: BAS | | Dual Glazed LiteSpace | |
| REVISION | | | |
| A | 4/8/24 | C | |
| B | | D | |
| DATE: 04/08/2024 | | SHEET NO. 3 OF 22 | FILE: Dual Glazed LiteSpace.dwg |

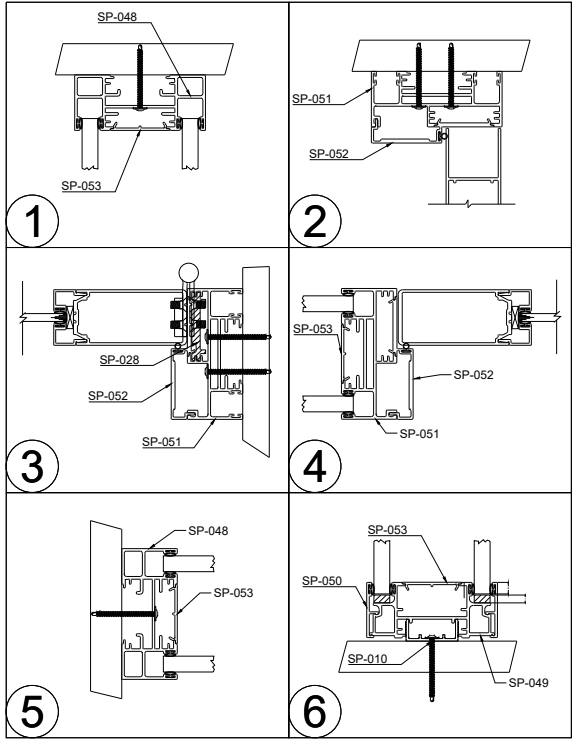
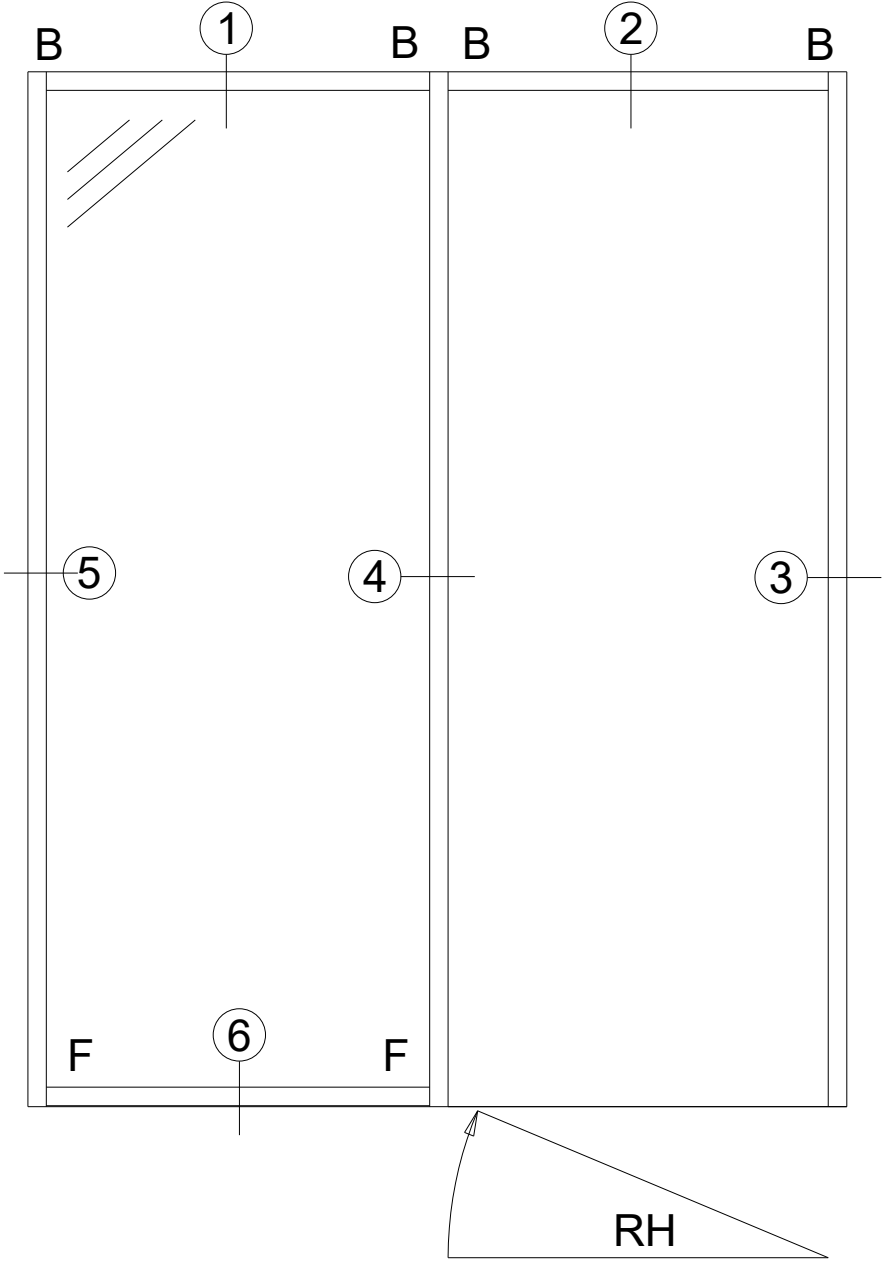
Borrowed Lite (Multi-Pane)



SPECIAL-LITE, INC.
860 South Williams Street
DECATUR, MI 49045
special-lite.com

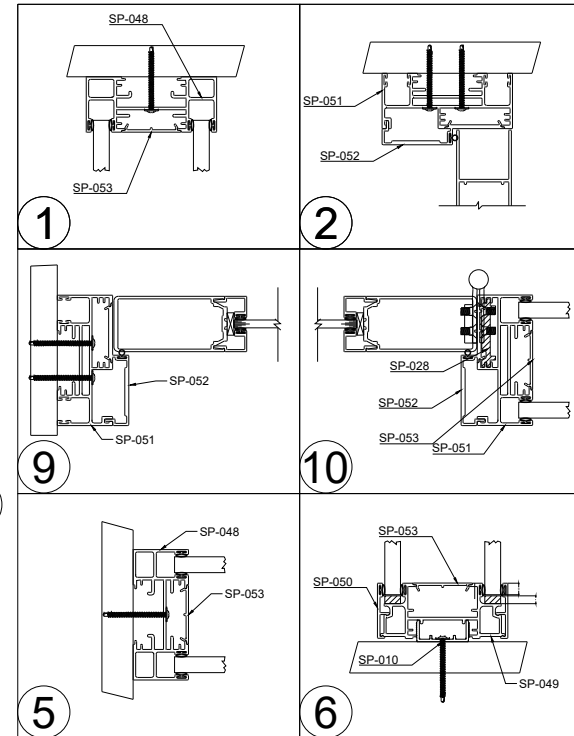
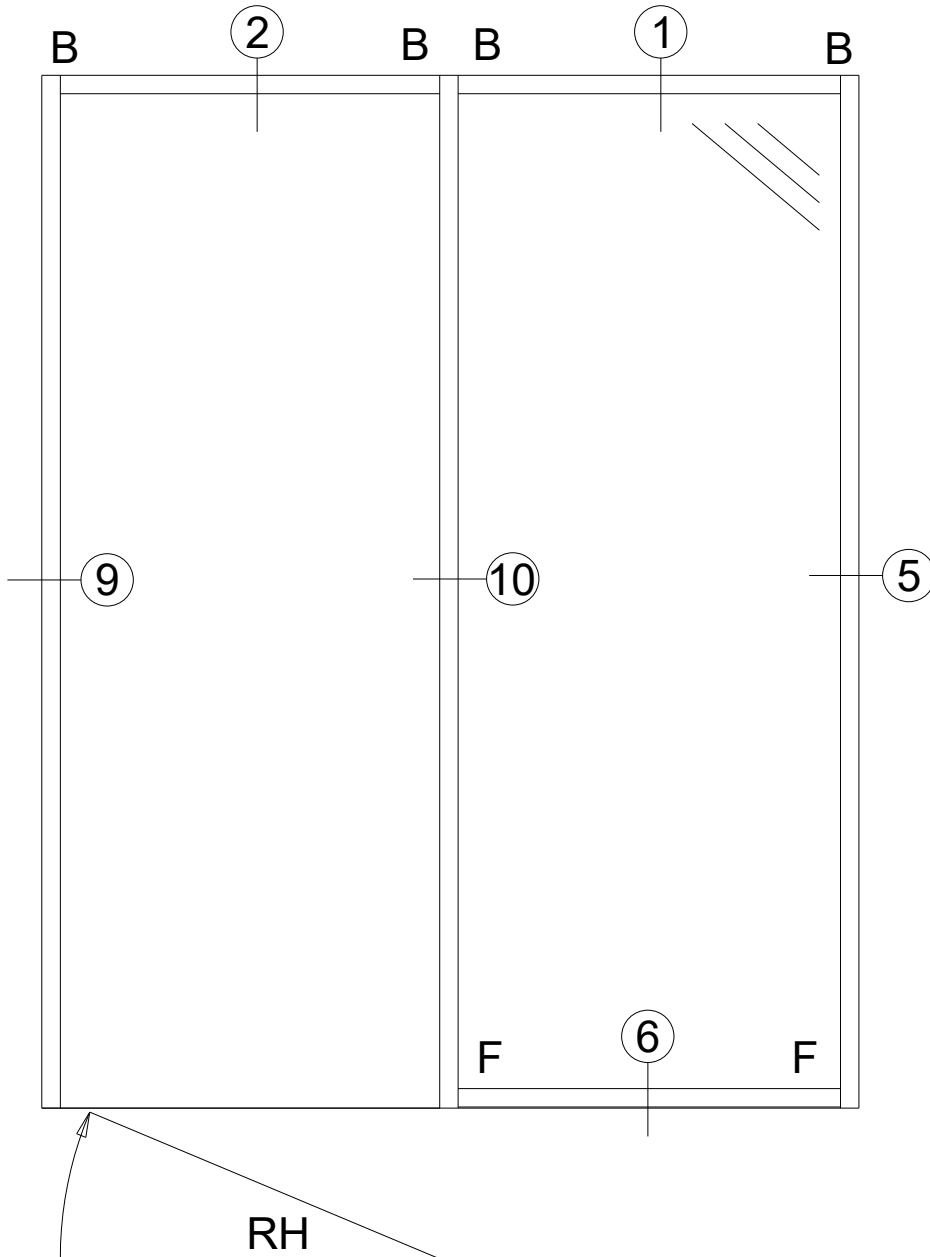
| | | | | | |
|---------------|--------|----------|--|---------------------------------|-------------------|
| DRAWN BY: BAS | | REVISION | | Dual Glazed LiteSpace | |
| A | 4/8/24 | C | | DATE: 04/08/2024 | SHEET NO. 4 OF 22 |
| B | | D | | FILE: Dual Glazed LiteSpace.dwg | |

RH w/ Sidelite Left (Single Pane)



| | | | | |
|-----------------------|---|--|-------------------|---------------------------------|
| | | SPECIAL-LITE, INC. 860 South Williams Street DECATUR, MI 49045 special-lite.com | | |
| | | DRAWN BY: BAS REVISION | | |
| Dual Glazed LiteSpace | | DATE: 04/08/2024 | SHEET NO. 5 OF 22 | FILE: Dual Glazed LiteSpace.dwg |
| A 4/78/24 C B | D | | | |

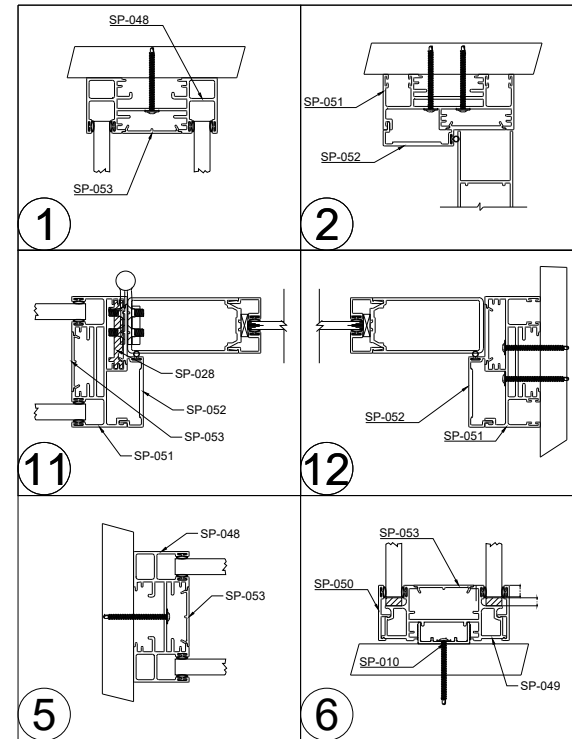
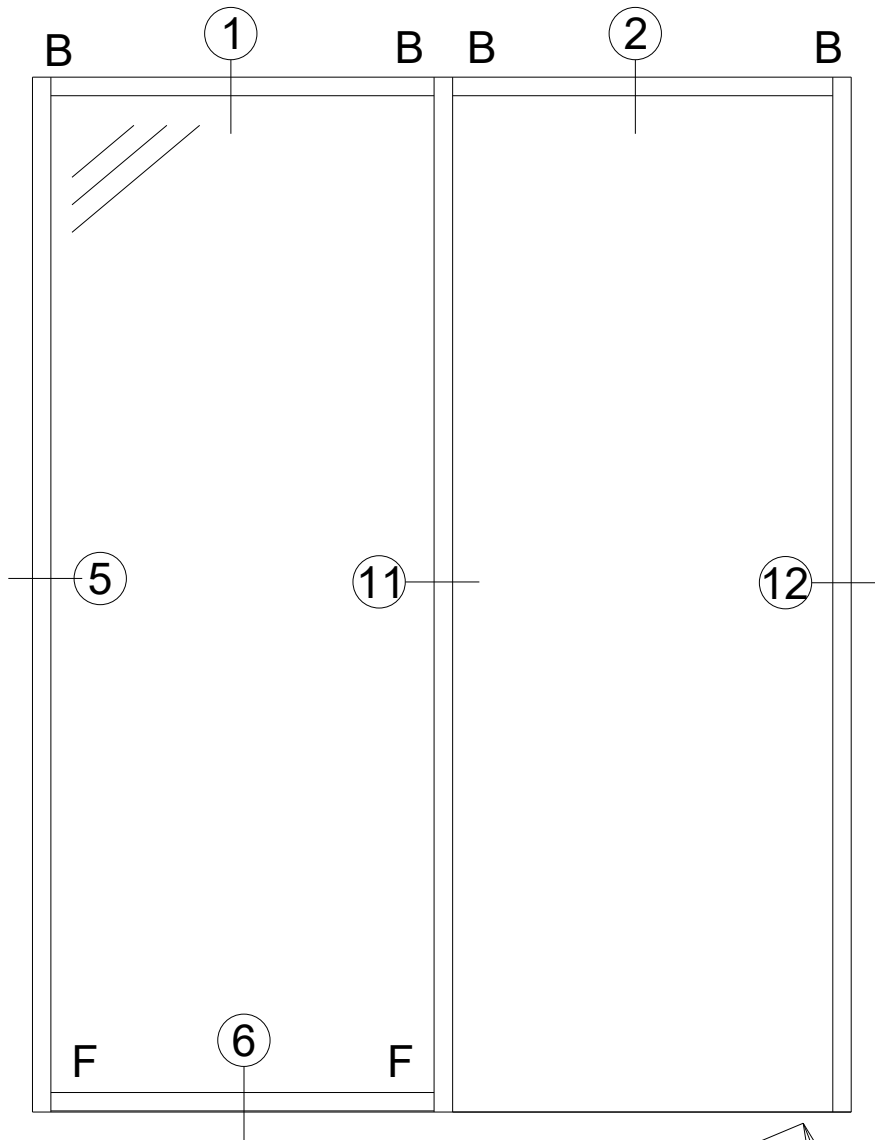
RH w/ Sidelite Right (Single Pane)



SPECIAL-LITE, INC.
 860 South Williams Street
 DECATUR, MI 48045
 special-lite.com

| | | | |
|---------------|---|---------------------------------|-------------------|
| DRAWN BY: BAS | | Dual Glazed LiteSpace | |
| REVISION | | DATE: 04/08/2024 | SHEET NO. 6 OF 22 |
| A 4/8/24 | C | FILE: Dual Glazed LiteSpace.dwg | |
| B | D | | |

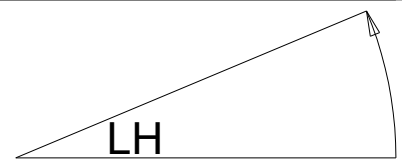
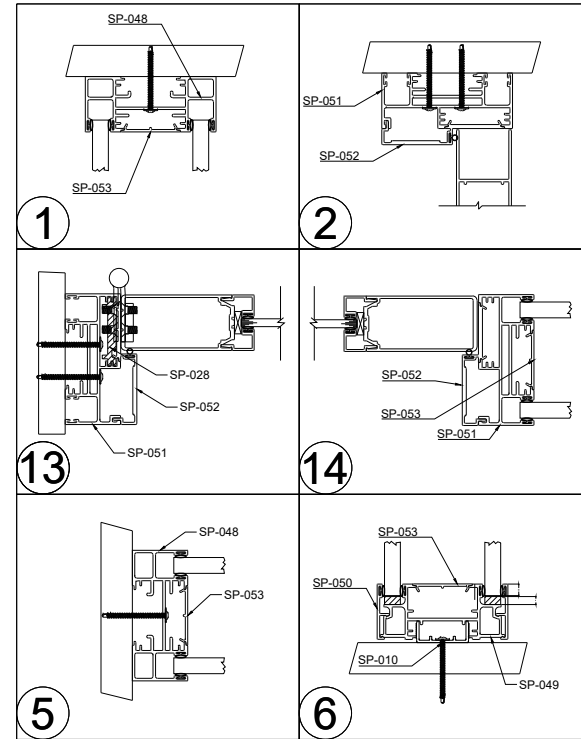
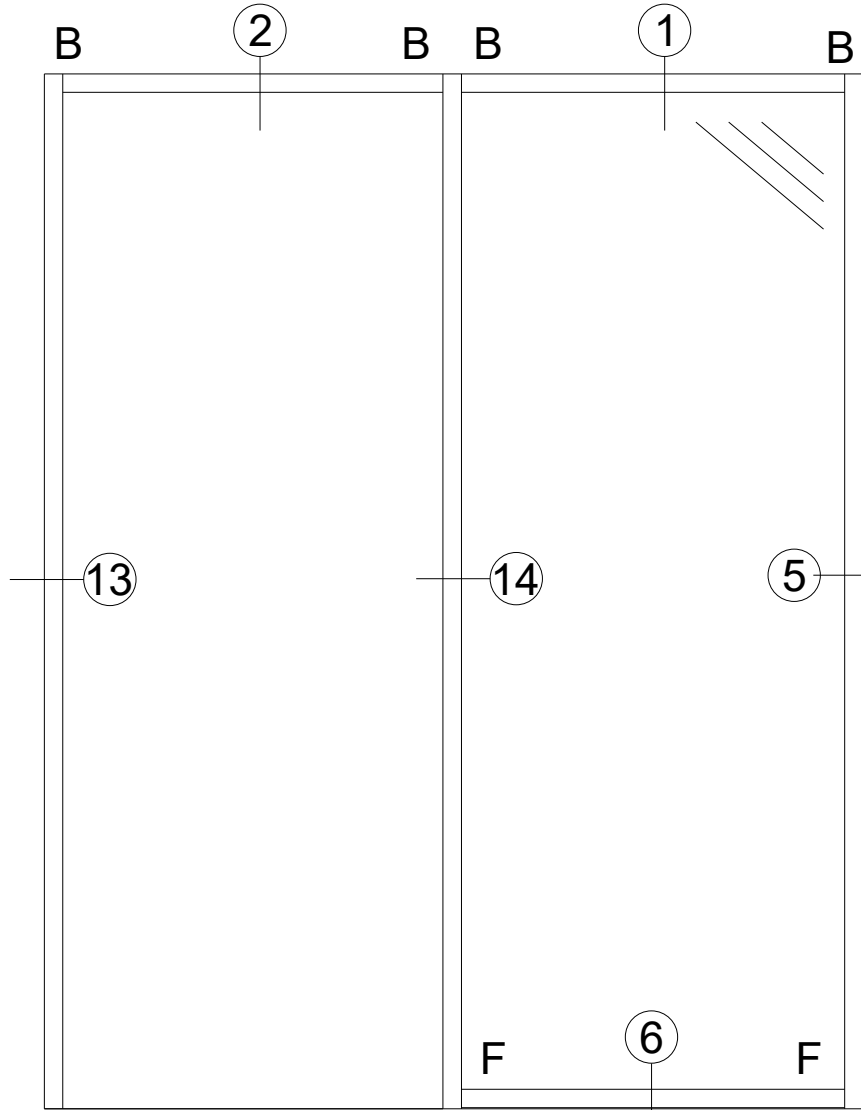
LH w/ Sidelite Left (Single Pane)



SPECIAL-LITE, INC.
860 South Williams Street
DECATUR, MI 49045
special-lite.com

| | | | |
|---------------|---|---------------------------------|-------------------|
| DRAWN BY: BAS | | Dual Glazed LiteSpace | |
| REVISION | | DATE: 04/08/2024 | SHEET NO. 7 OF 22 |
| A 4/8/24 | C | FILE: Dual Glazed LiteSpace.dwg | |
| B | D | | |

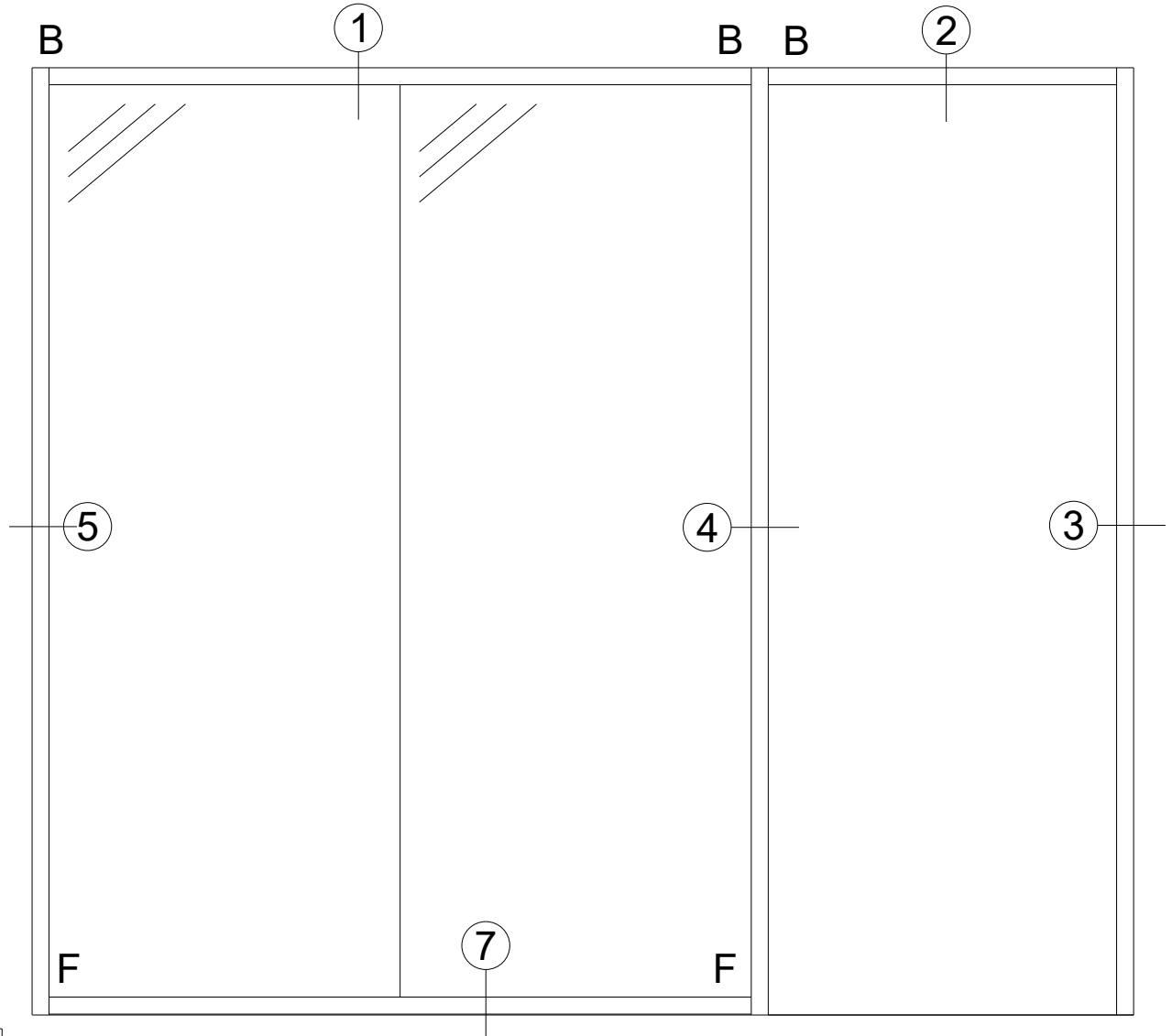
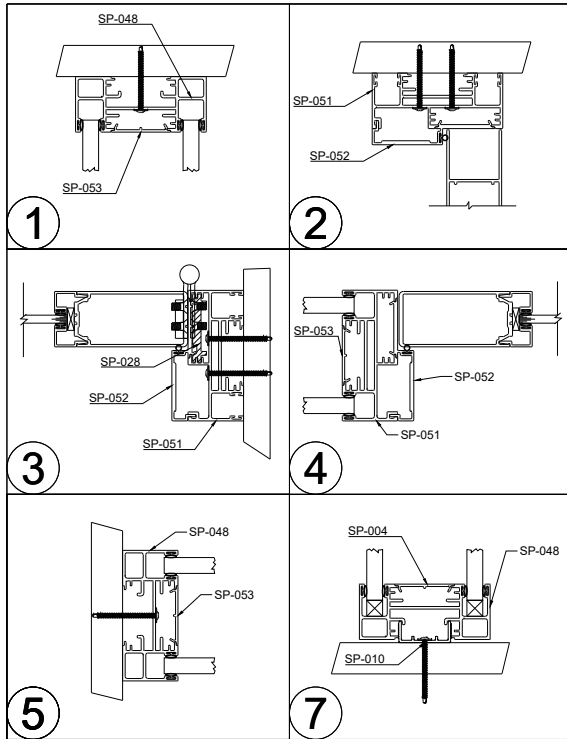
LH w/ Sidelite Right (Single Pane)



SPECIAL-LITE, INC.
 860 South Williams Street
 DECATUR, MI 49045
 special-lite.com

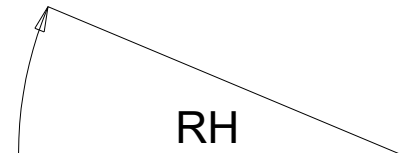
| | | | |
|---------------|--------|-----------------------|---------------------------------|
| DRAWN BY: BAS | | Dual Glazed LiteSpace | |
| REVISION | | DATE: 04/08/2024 | SHEET NO. 8 OF 22 |
| A | 4/8/24 | C | FILE: Dual Glazed LiteSpace.dwg |
| B | | D | |

RH w/ Sidelite Left (Multi-Pane)

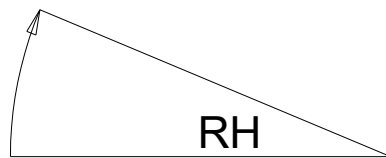
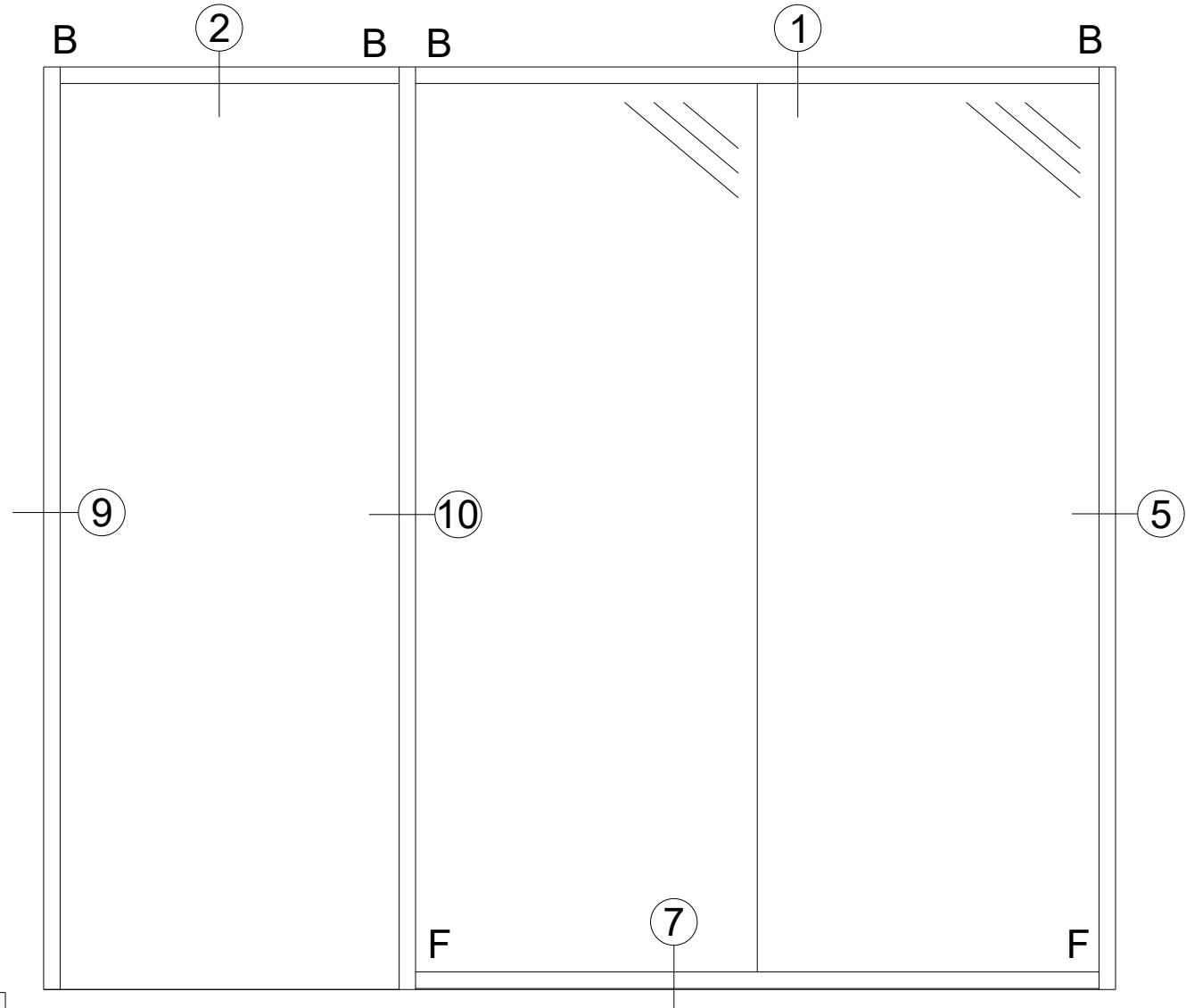
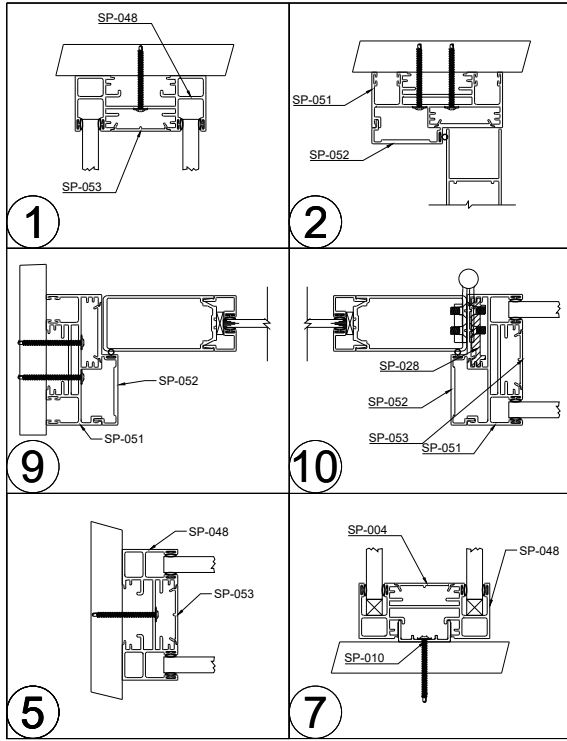


SPECIAL-LITE, INC.
860 South Williams Street
DECATUR, MI 49045
special-lite.com

| | | | |
|---------------------------------|--------|-----------------------|--|
| DRAWN BY: BAS | | Dual Glazed LiteSpace | |
| REVISION | | | |
| A | 4/8/24 | C | |
| B | | D | |
| DATE: 04/08/2024 | | SHEET NO. 9 OF 22 | |
| FILE: Dual Glazed LiteSpace.dwg | | | |



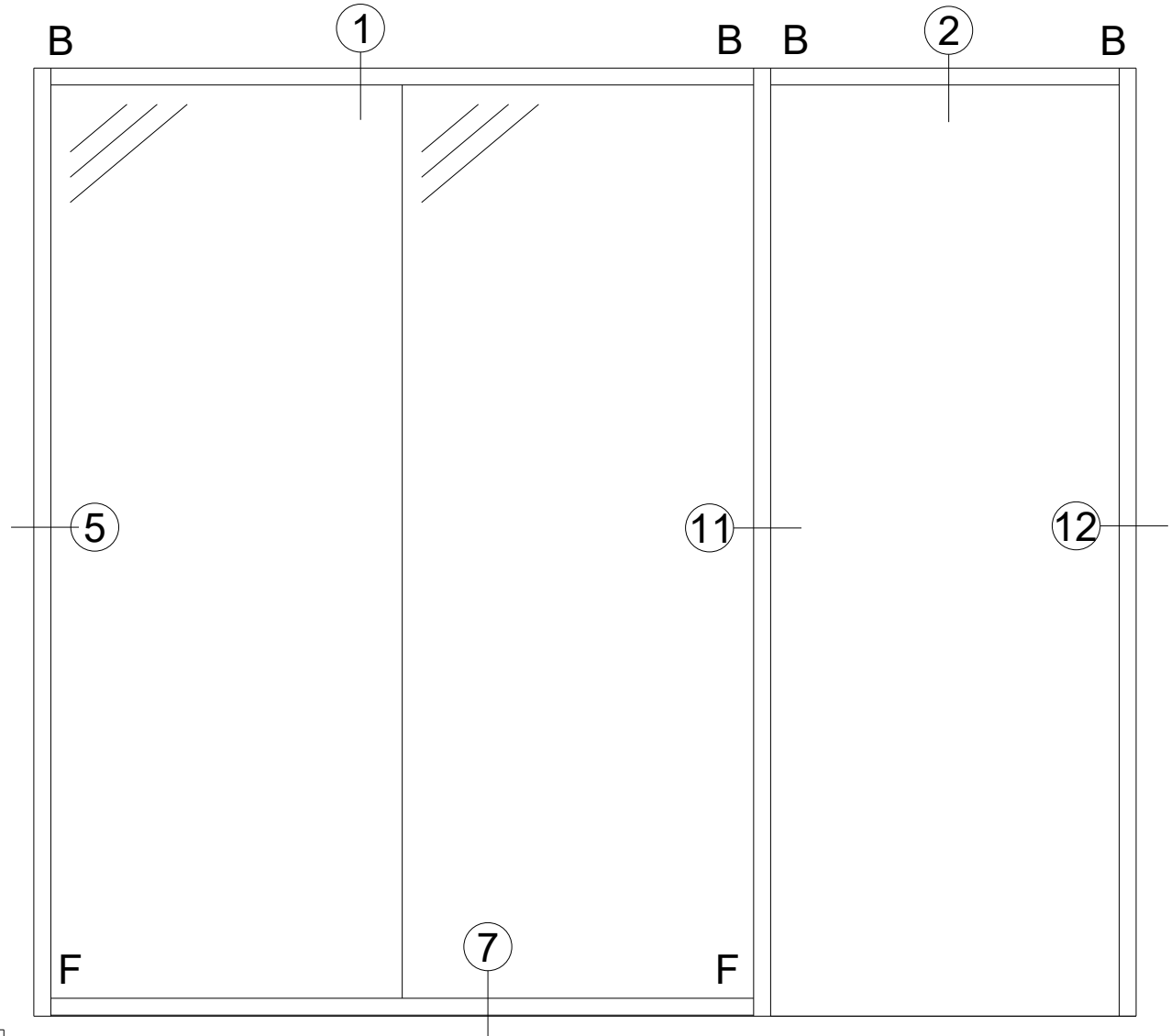
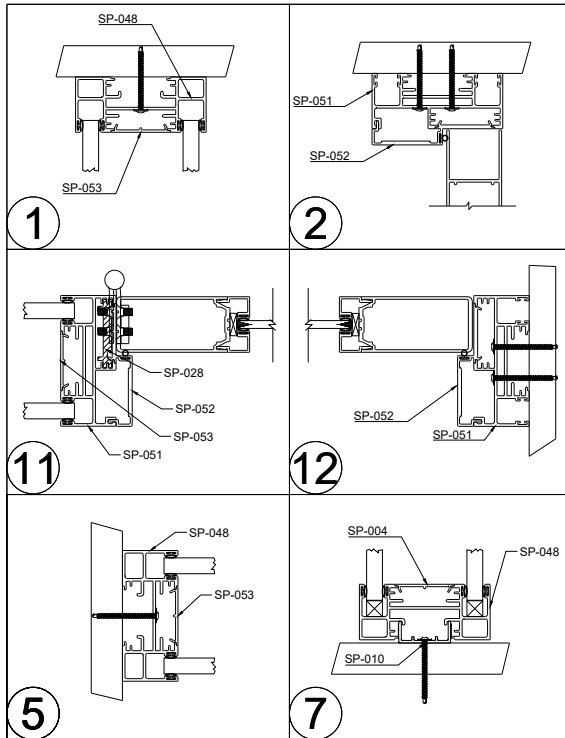
RH w/ Sidelite Right (Multi-Pane)



SPECIAL-LITE, INC.
 860 South Williams Street
 DECATUR, MI 49045
 special-lite.com

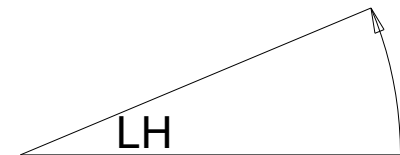
| | | | |
|------------------|--------|-----------------------|---------------------------------|
| DRAWN BY: BAS | | Dual Glazed LiteSpace | |
| REVISION | | | |
| A | 4/8/24 | C | |
| B | | D | |
| DATE: 04/08/2024 | | SHEET NO. 10 OF 22 | FILE: Dual Glazed LiteSpace.dwg |

LH w/ Sidelite Left (Multi-Pane)

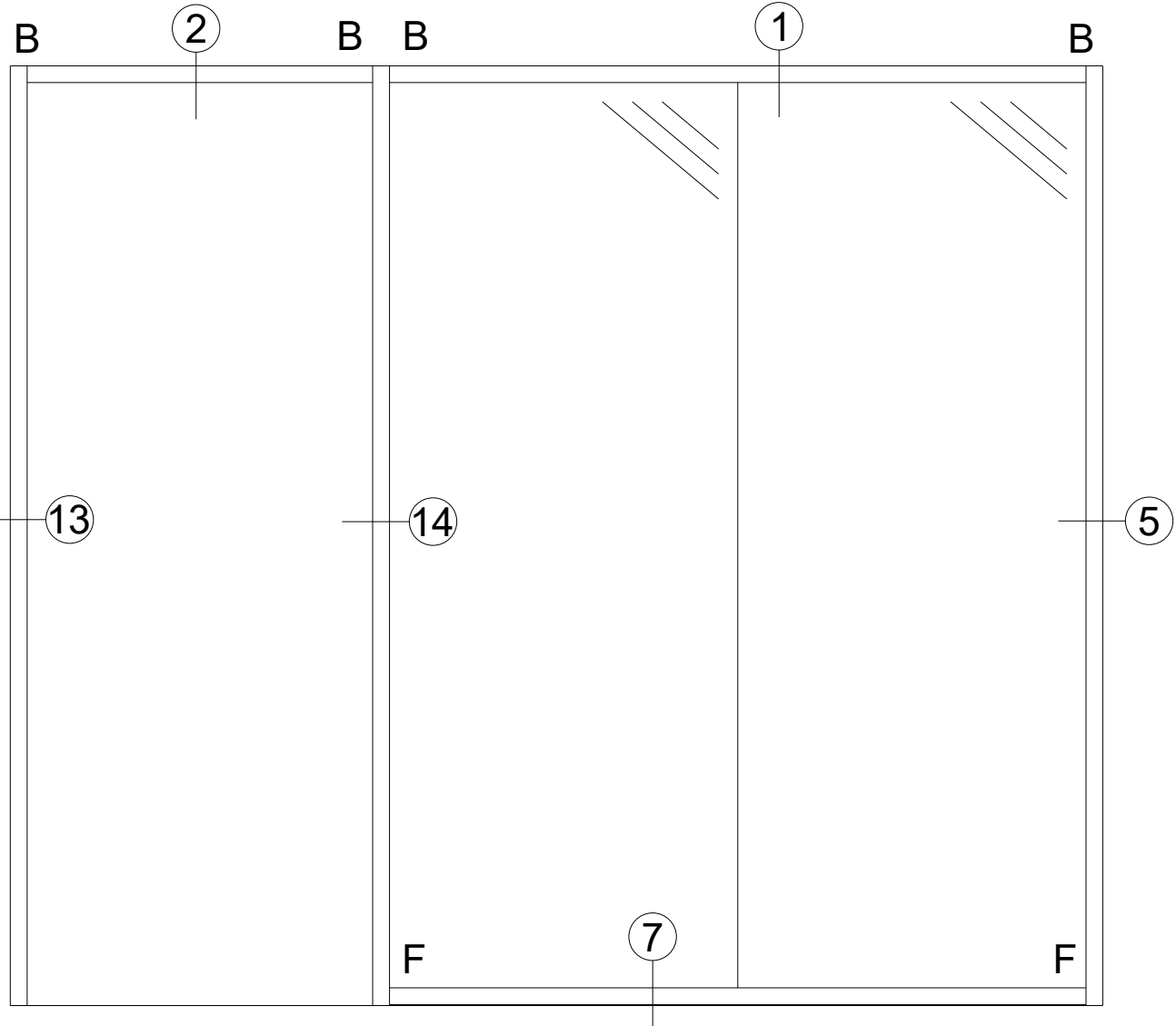
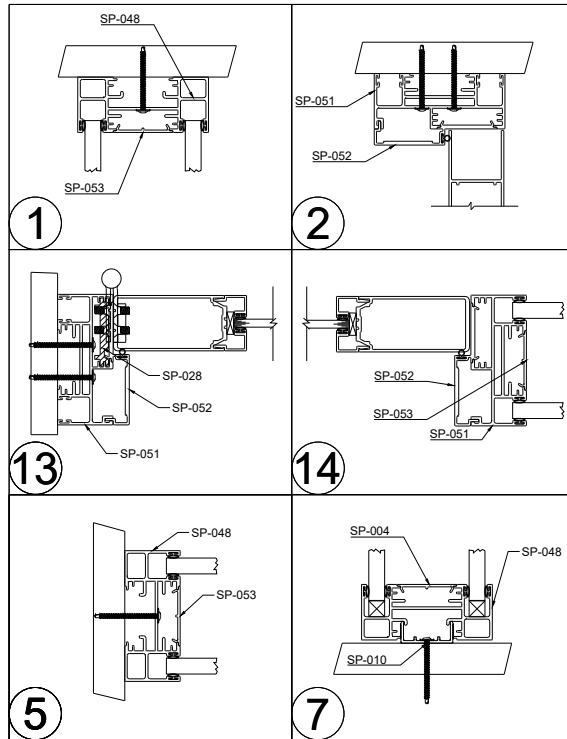



SPECIAL-LITE, INC.
860 South Williams Street
DECATUR, MI 49045
special-lite.com

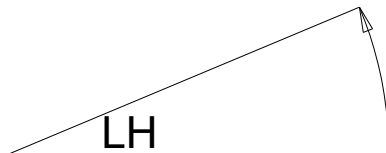
| | | | |
|------------------|--------|--|--|
| DRAWN BY: BAS | | Dual Glazed LiteSpace | |
| REVISION | | | |
| A | 4/8/24 | C | |
| B | | D | |
| DATE: 04/08/2024 | | SHEET NO. 11 OF 22 FILE: Dual Glazed LiteSpace.dwg | |



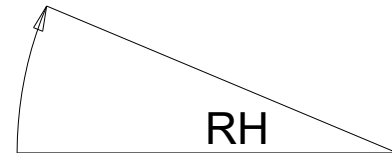
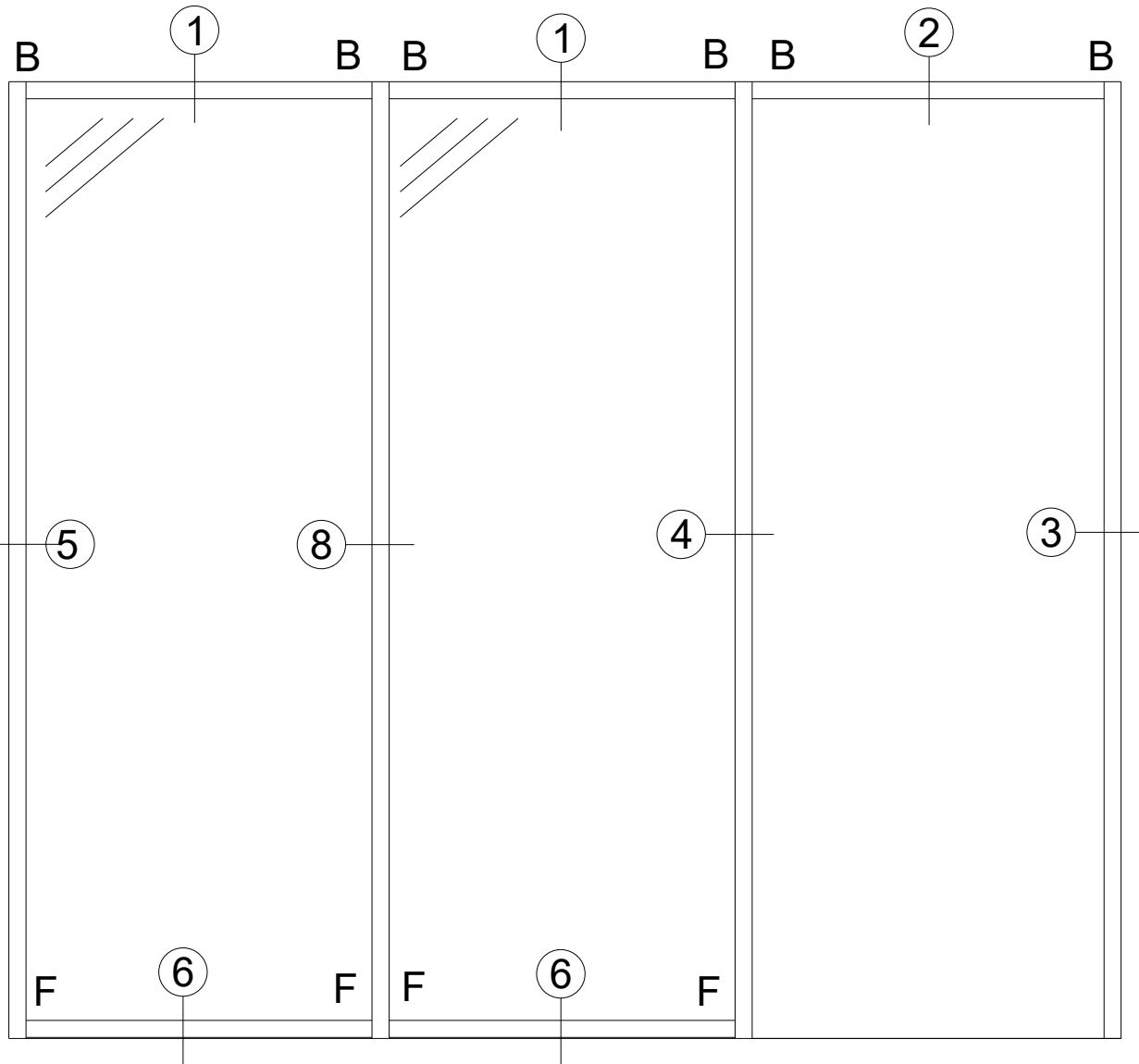
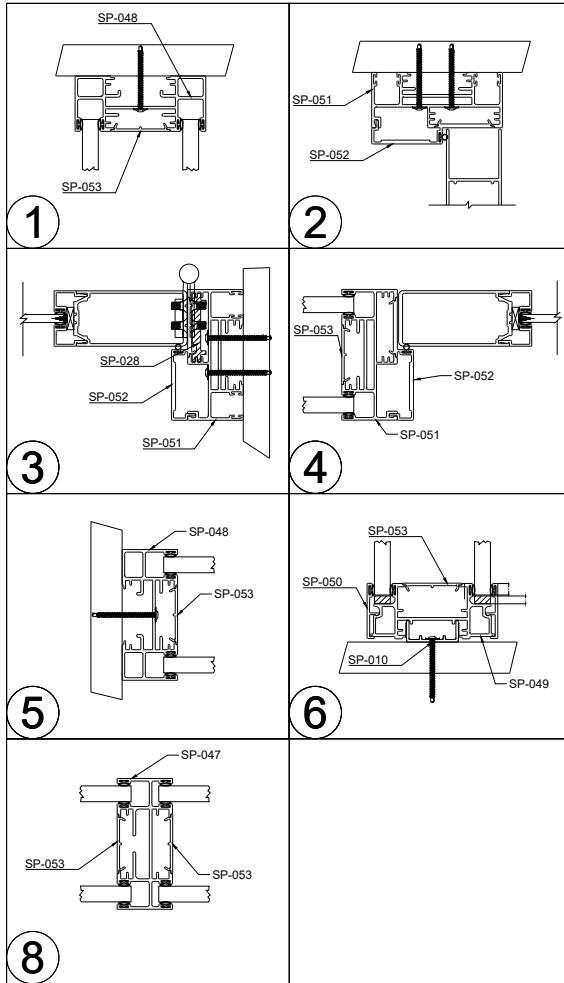
LH w/ Sidelite Right (Multi-Pane)



| | | | |
|---|--------|--|--|
|  | | SPECIAL-LITE, INC. 860 South Williams Street DECATUR, MI 49045 special-lite.com | |
| DRAWN BY: BAS Dual Glazed LiteSpace | | | |
| REVISION | | | |
| A | 4/8/24 | C | |
| B | | D | |
| DATE: 04/08/2024 | | SHEET NO. 12 OF 22 | |
| FILE: Dual Glazed LiteSpace.dwg | | | |



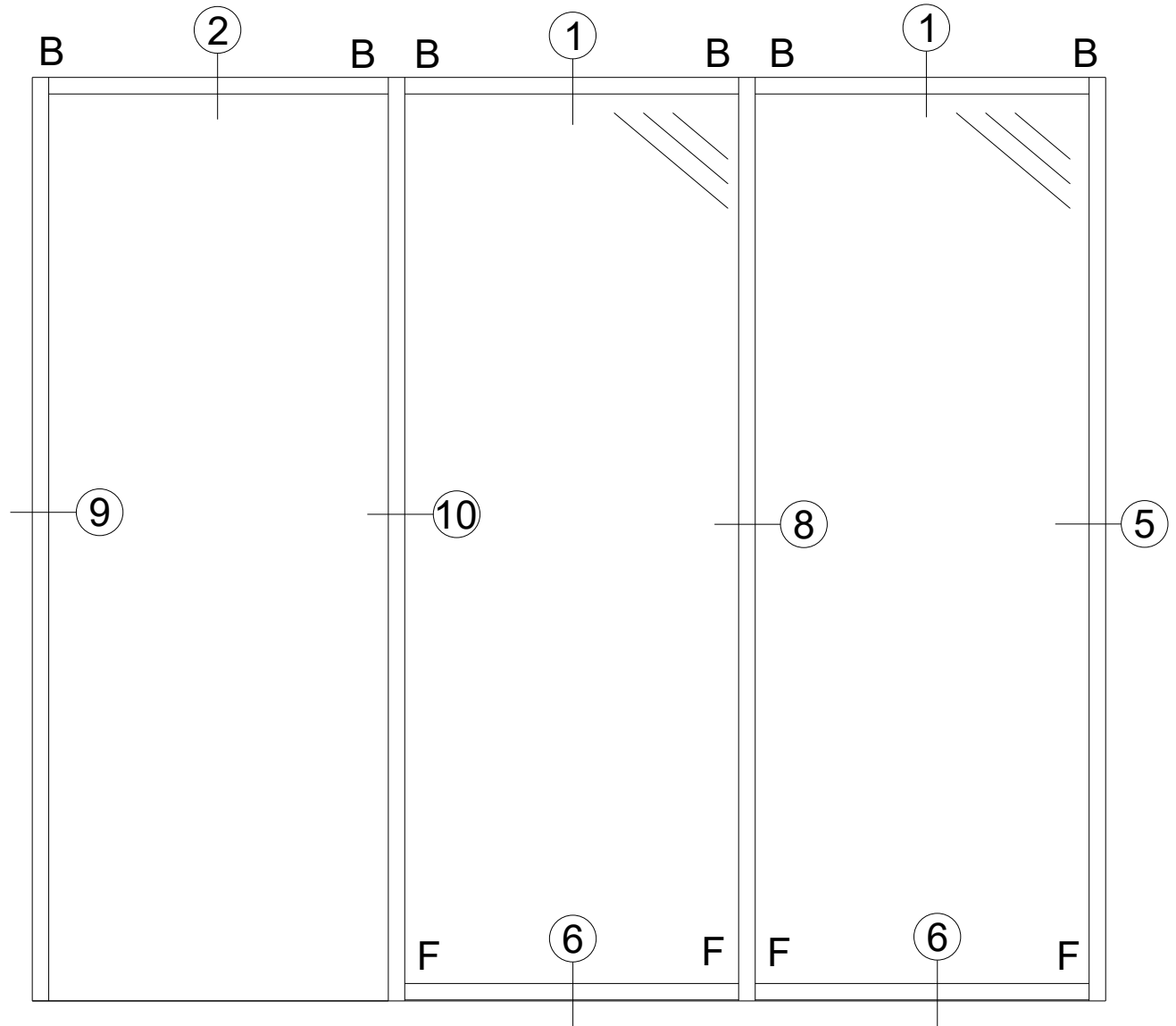
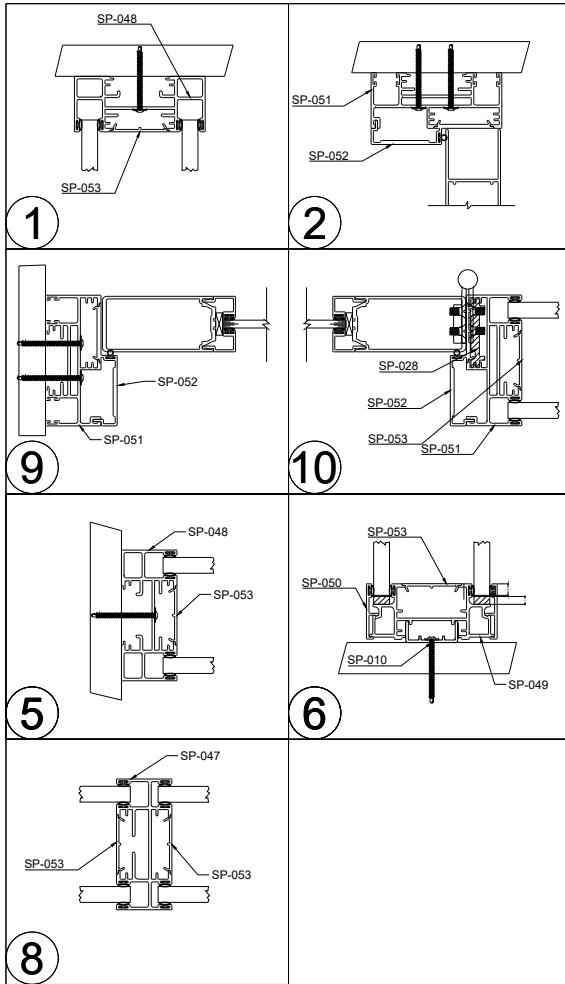
RH w/ Sidelite Left & Vertical Mullion (Single Pane)



SPECIAL-LITE, INC.
880 South Williams Street
DECATUR, MI 49045
special-lite.com

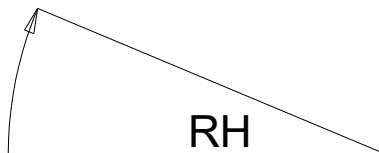
| | | | |
|---------------------------------|--------|-----------------------|--|
| DRAWN BY: BAS | | Dual Glazed LiteSpace | |
| REVISION | | | |
| A | 4/8/24 | C | |
| B | | D | |
| DATE: 04/08/2024 | | SHEET NO. 13 OF 22 | |
| FILE: Dual Glazed LiteSpace.dwg | | | |

RH w/ Sidelite Right & Vertical Mullion (Single Pane)

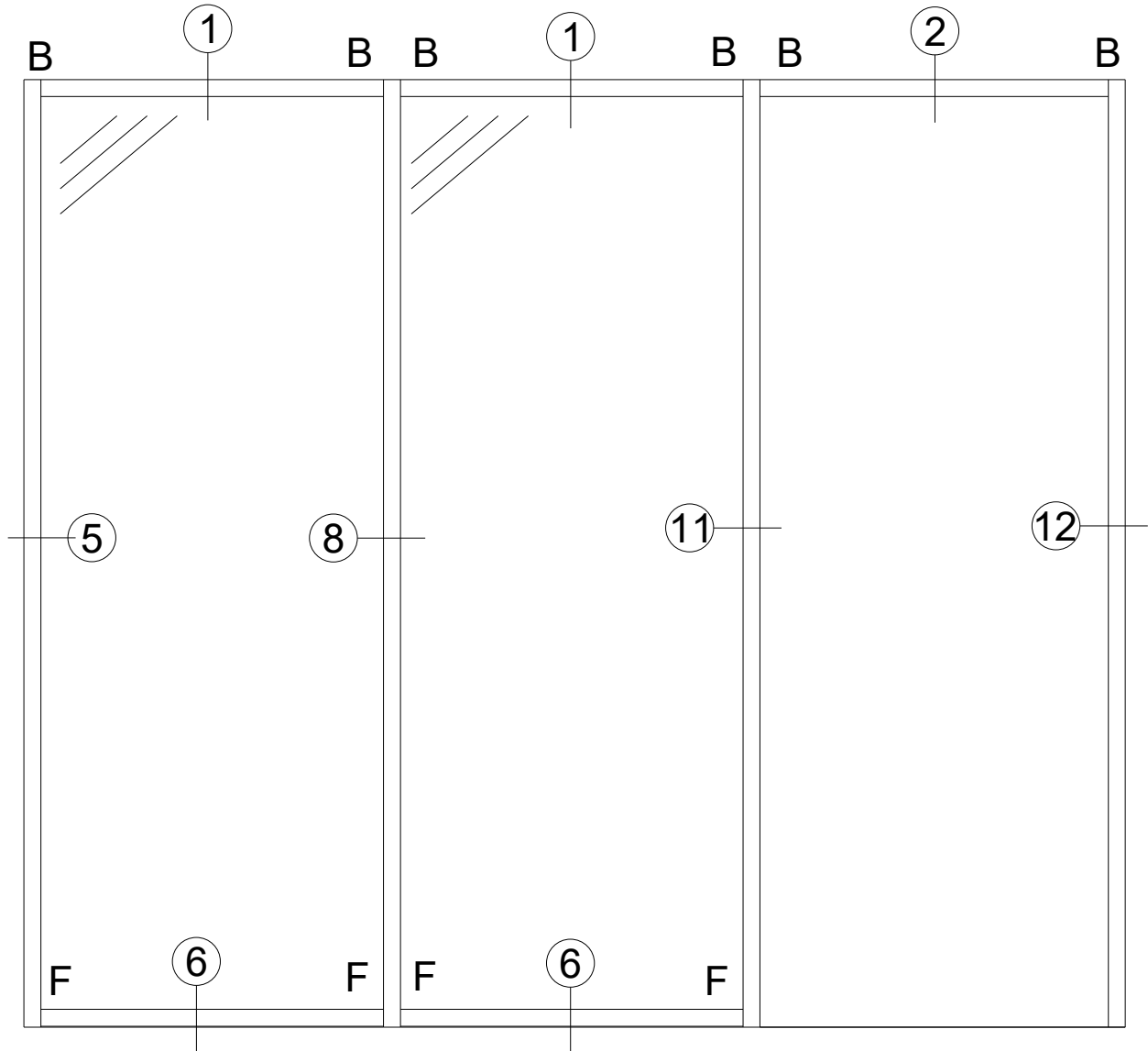
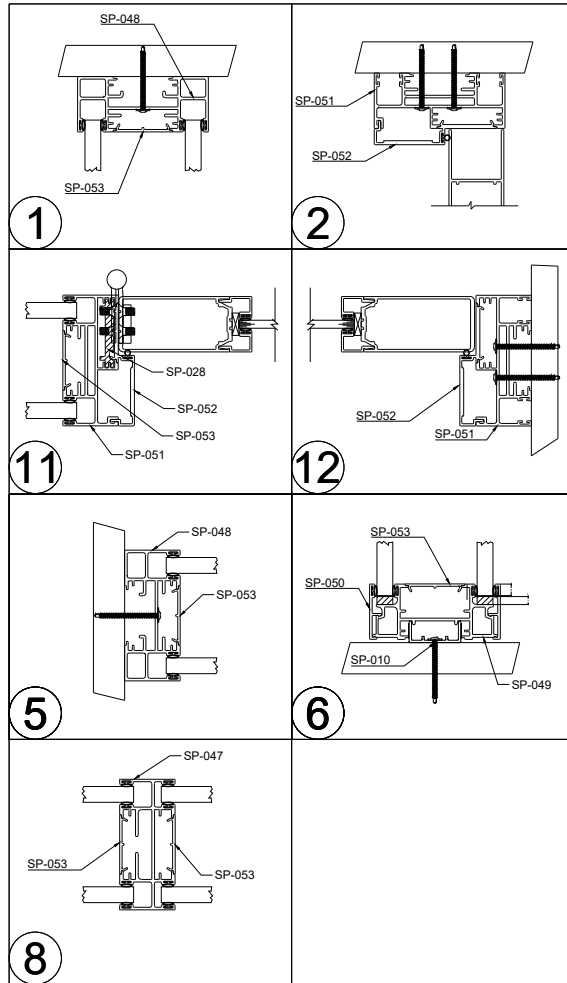


SPECIAL-LITE, INC.
860 South Williams Street
DECATUR, MI 49045
special-lite.com

| | | | |
|------------------|--------|--|--|
| DRAWN BY: BAS | | Dual Glazed LiteSpace | |
| REVISION | | | |
| A | 4/8/24 | C | |
| B | | D | |
| DATE: 04/08/2024 | | SHEET NO. 14 OF 22 FILE: Dual Glazed LiteSpace.dwg | |

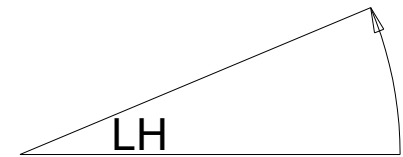


LH w/ Sidelite Left & Vertical Mullion (Single Pane)

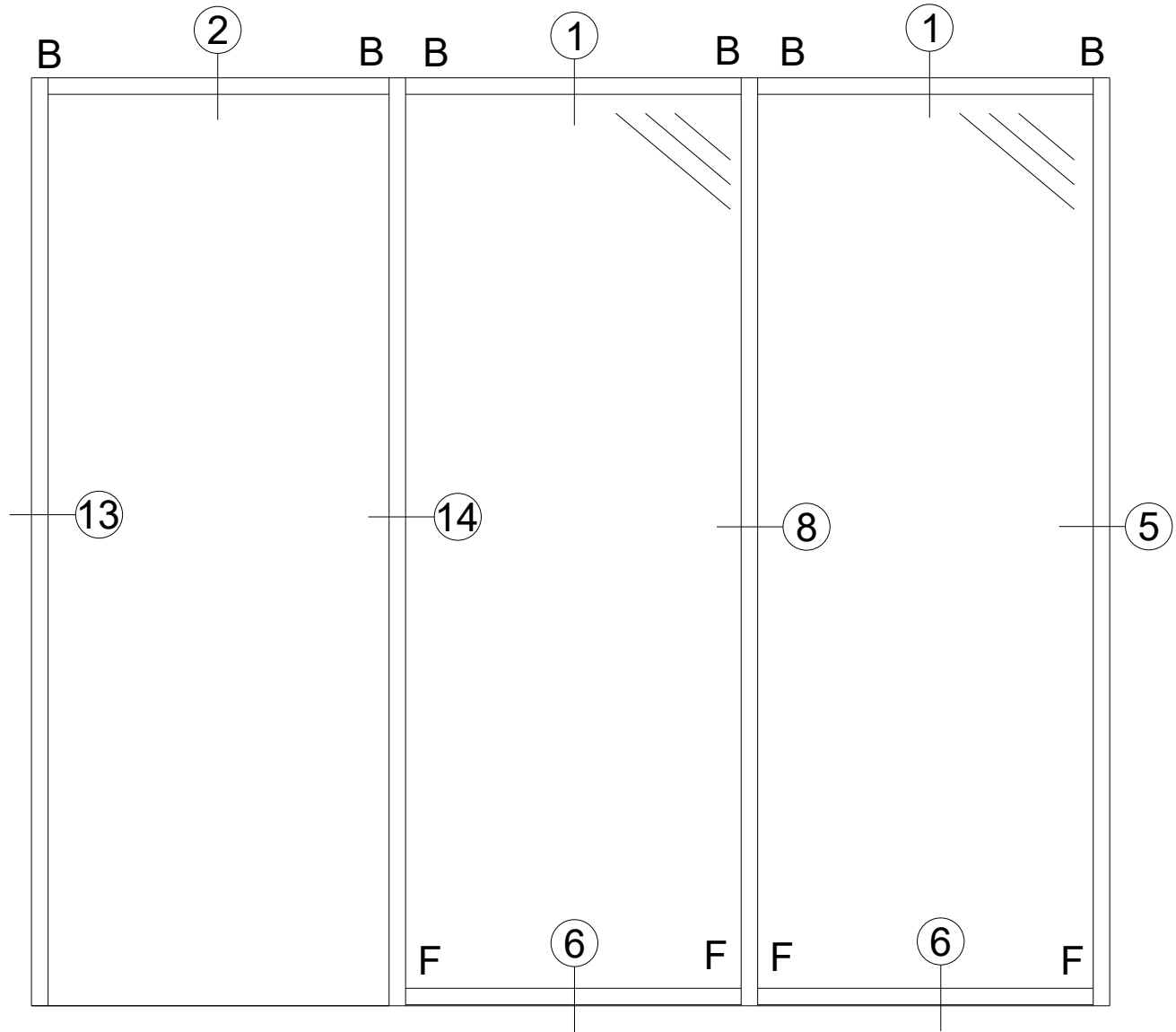
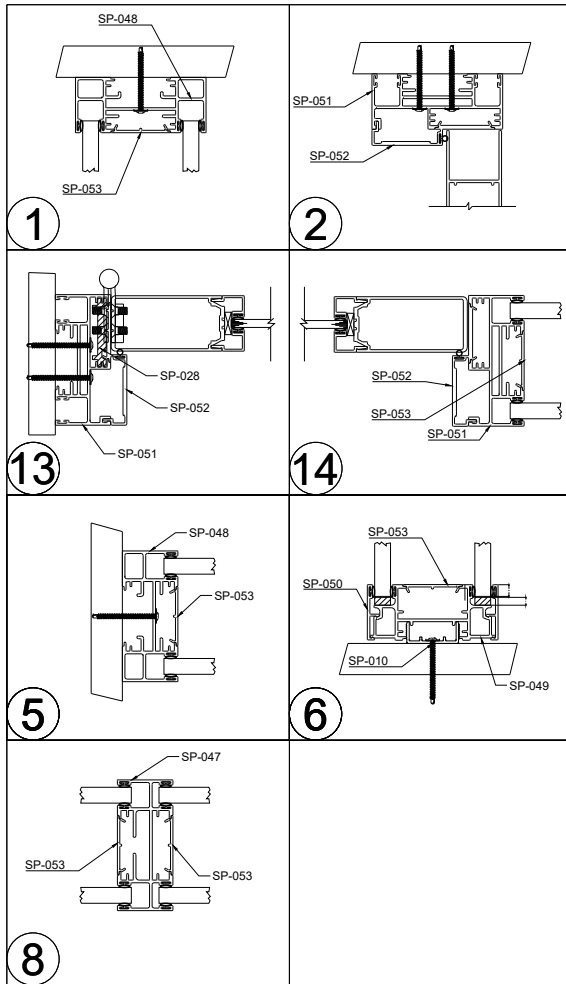


SPECIAL-LITE, INC.
 860 South Williams Street
 DECATUR, MI 49045
 special-lite.com

| | | | |
|---------------------------------|--------|-----------------------|--|
| DRAWN BY: BAS | | Dual Glazed LiteSpace | |
| REVISION | | | |
| A | 4/8/24 | C | |
| B | | D | |
| DATE: 04/08/2024 | | SHEET NO. 15 OF 22 | |
| FILE: Dual Glazed LiteSpace.dwg | | | |

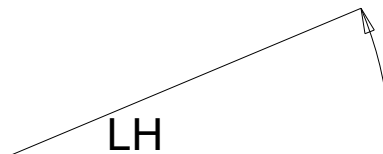


LH w/ Sidelite Right & Vertical Mullion (Single Pane)

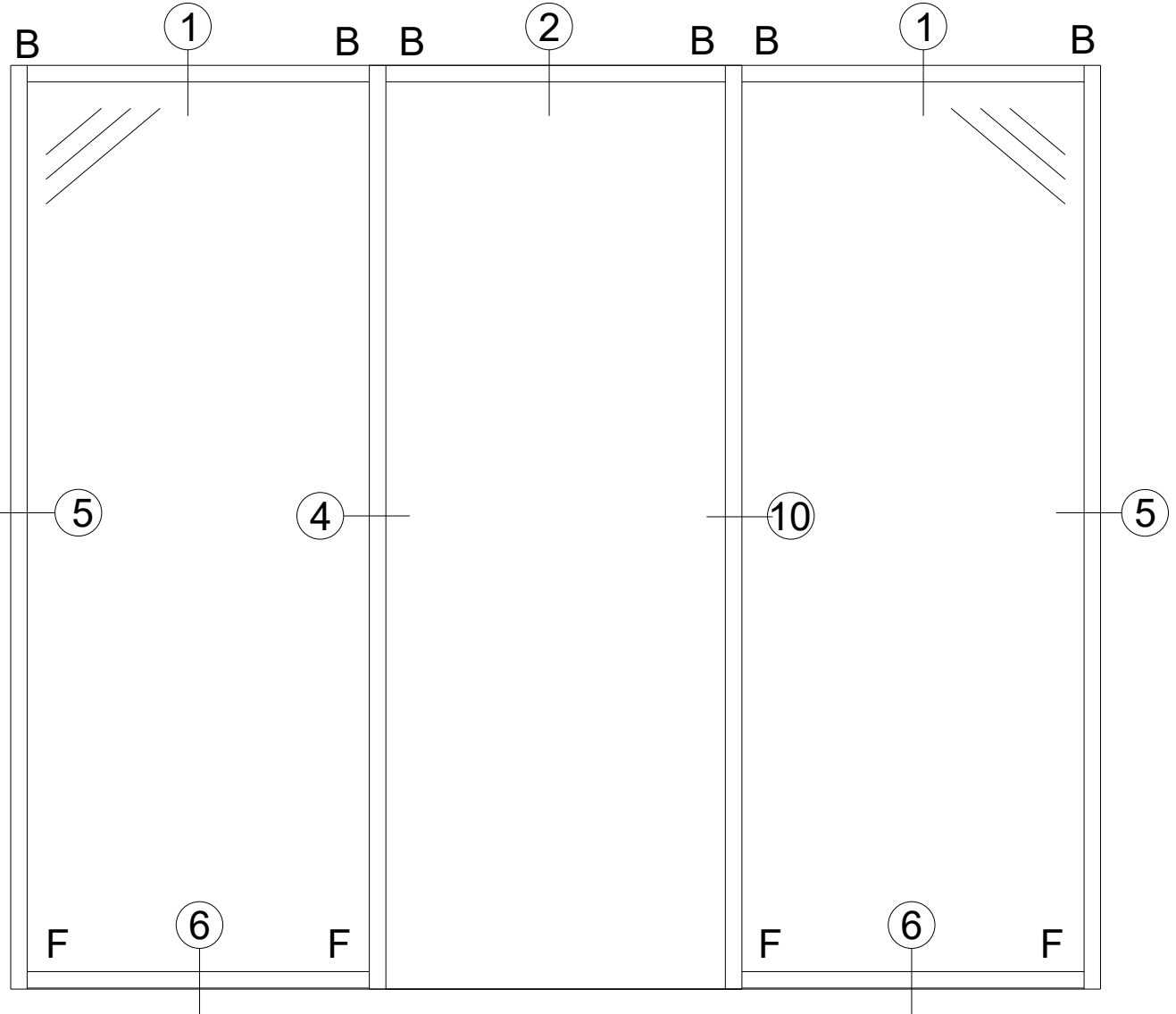
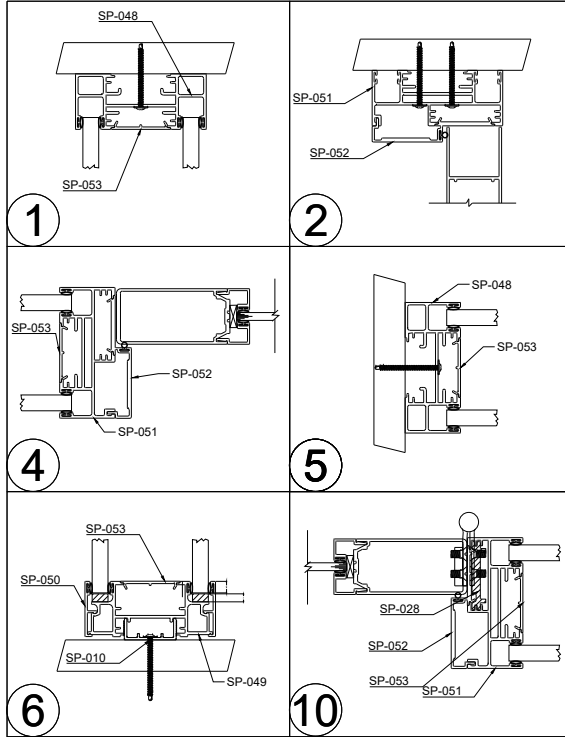


SPECIAL-LITE, INC.
 860 South Williams Street
 DECATUR, MI 49045
 special-lite.com

| | | | |
|------------------|--------|--|--|
| DRAWN BY: BAS | | Dual Glazed LiteSpace | |
| REVISION | | | |
| A | 4/8/24 | C | |
| B | | D | |
| DATE: 04/08/2024 | | SHEET NO. 16 OF 22 FILE: Dual Glazed LiteSpace.dwg | |



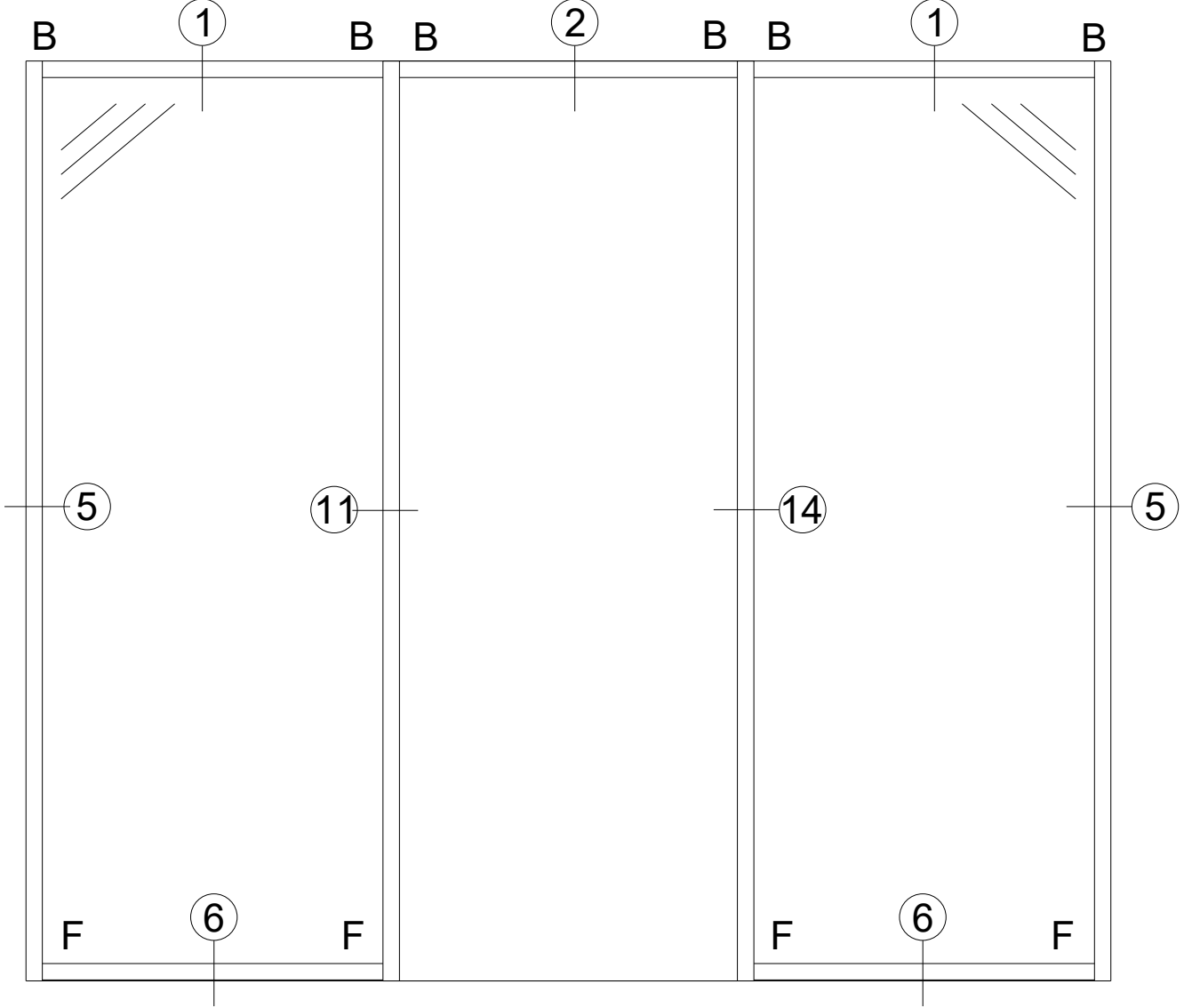
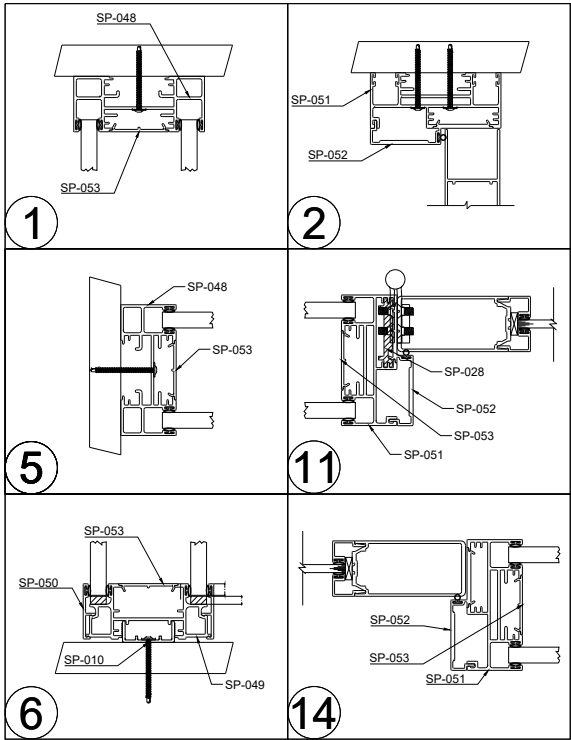
RH w/ Double Sidelite (Single Pane)



SPECIAL-LITE, INC.
860 South Williams Street
DECATUR, MI 49045
special-lite.com

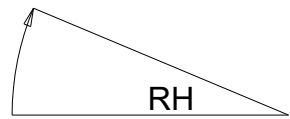
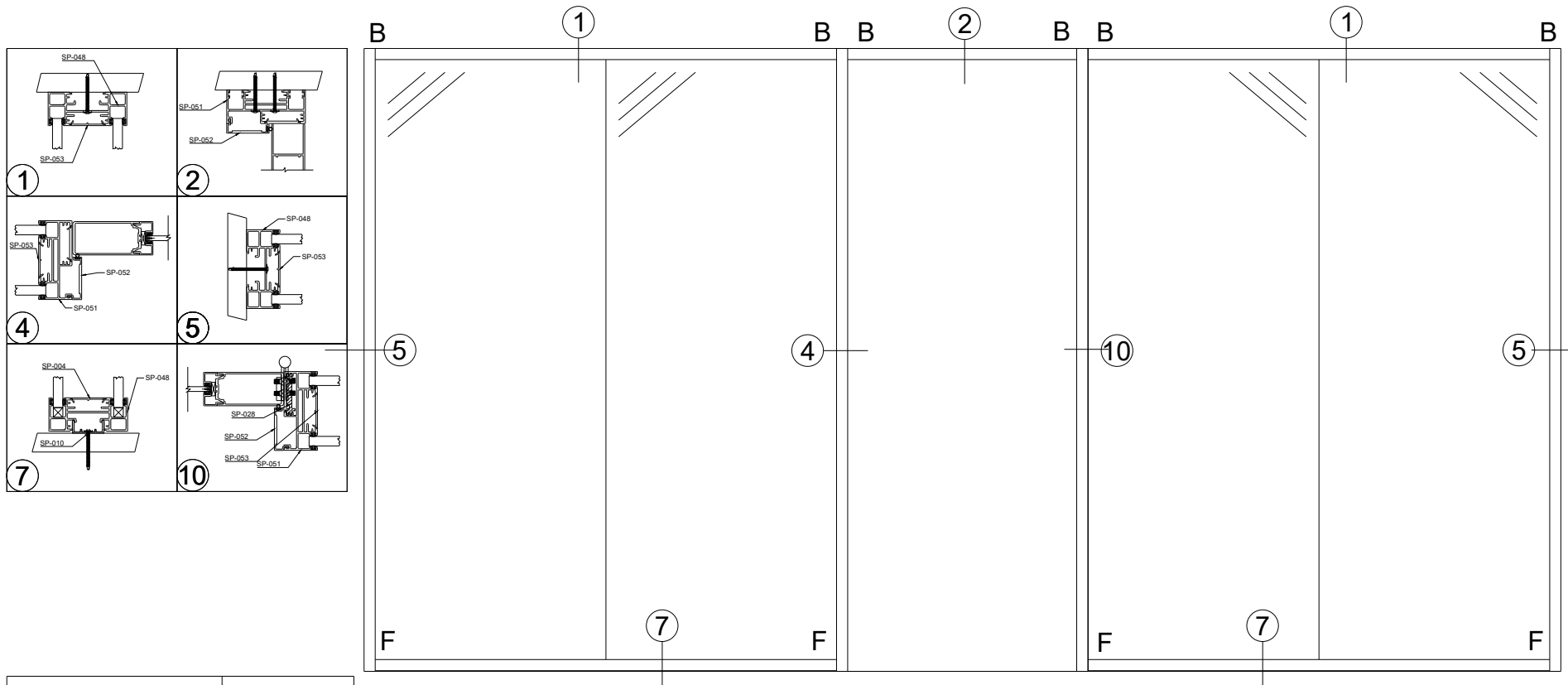
| | | | |
|------------------|--------|--|--|
| DRAWN BY: BAS | | Dual Glazed LiteSpace | |
| REVISION | | | |
| A | 4/8/24 | C | |
| B | | D | |
| DATE: 04/08/2024 | | SHEET NO. 17 OF 22 FILE: Dual Glazed LiteSpace.dwg | |

LH w/ Double Side Lite (Single Pane)



| | | | |
|--|--------|--|--|
| | | SPECIAL-LITE, INC. 860 South Williams Street DECATUR, MI 49045 special-lite.com | |
| DRAWN BY: BAS Dual Glazed LiteSpace | | | |
| REVISION | | | |
| A | 4/8/24 | C | |
| B | | D | |
| DATE: 04/08/2024 | | SHEET NO. 18 OF 22 FILE: Dual Glazed LiteSpace.dwg | |

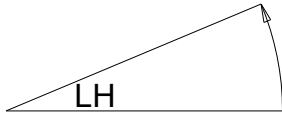
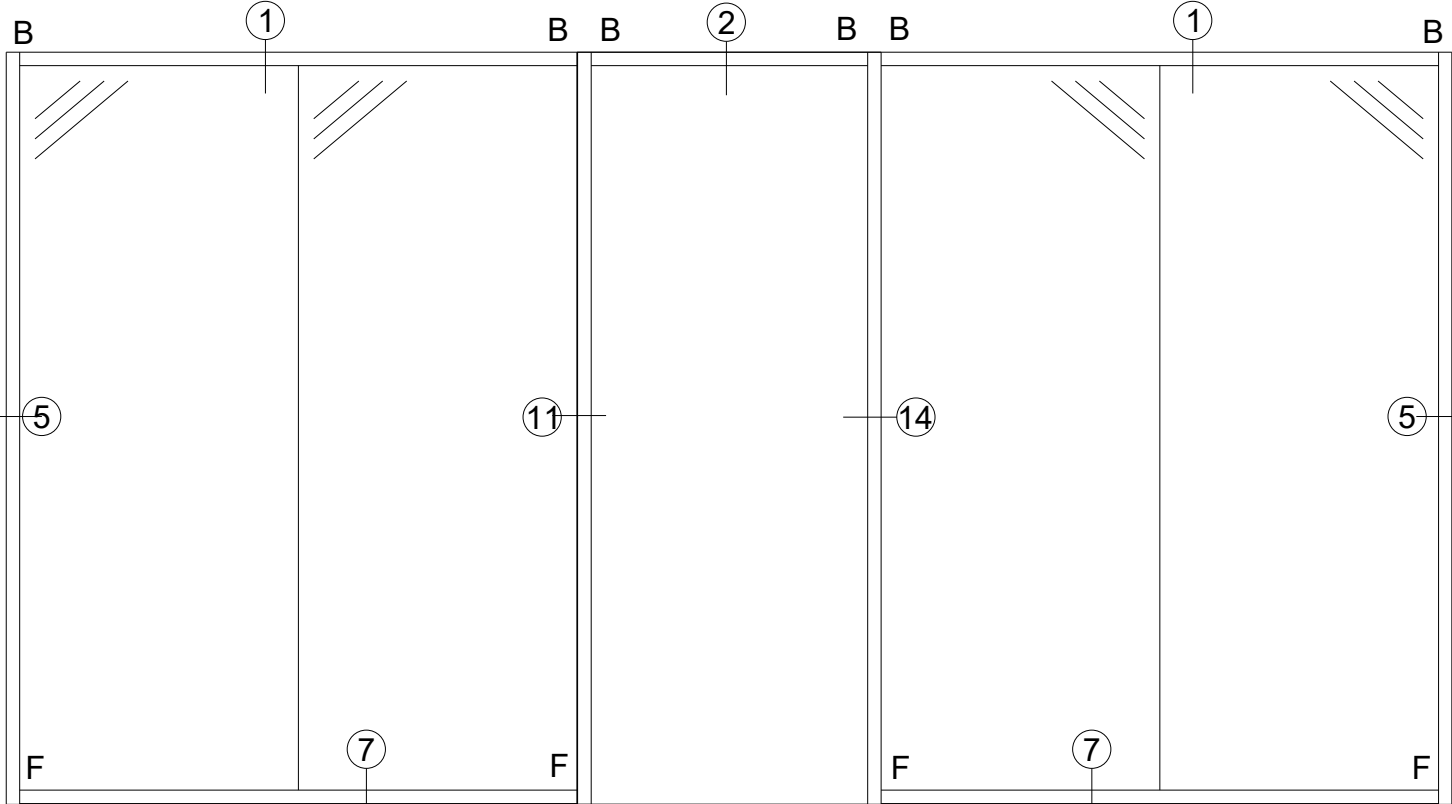
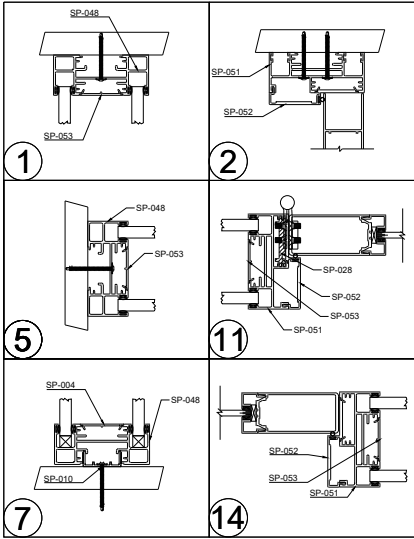
RH w/ Double Sidelite (Multi-Pane)



SPECIAL-LITE, INC.
890 South Williams Street
DECATUR, GA 45045
special-lite.com

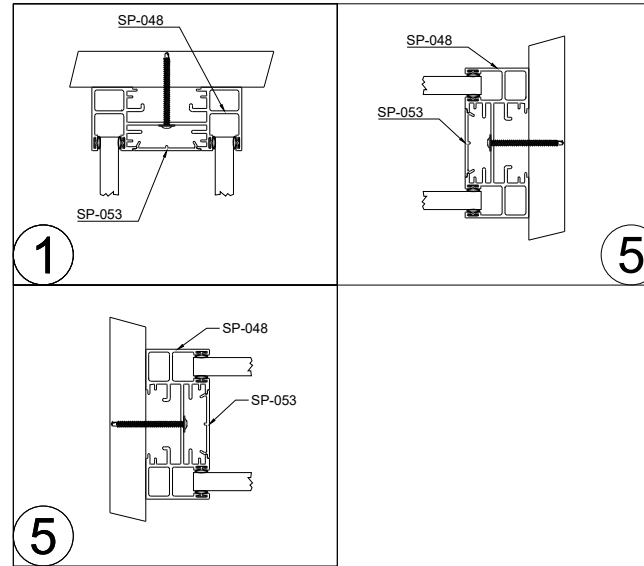
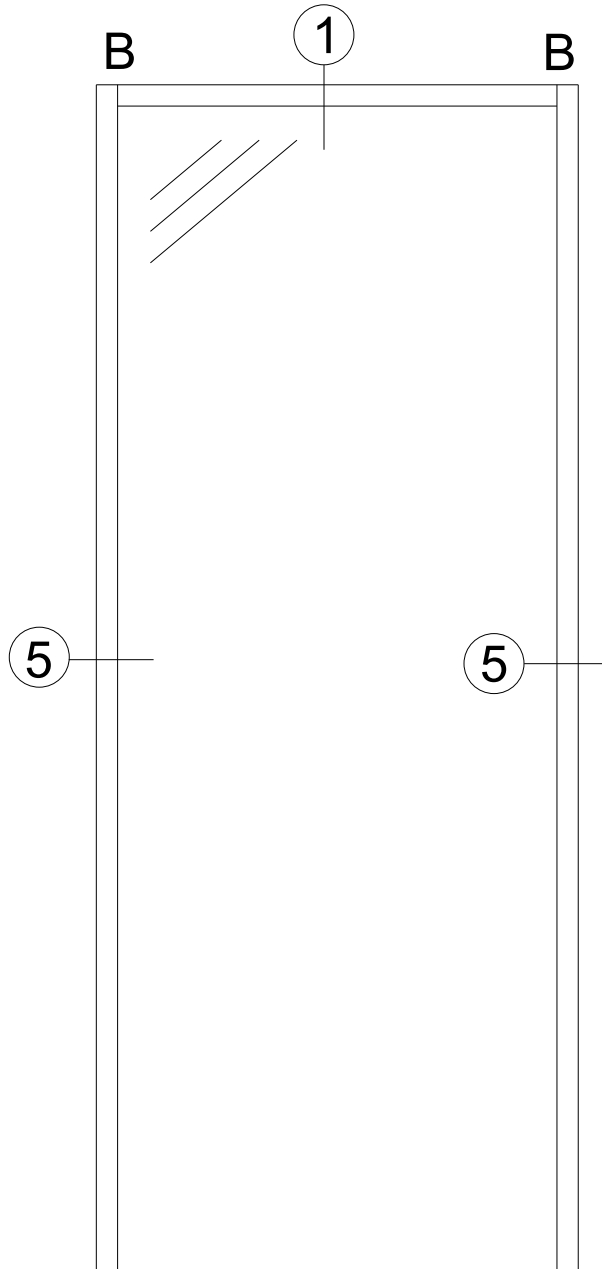
| | | | |
|---------------|-----------------------|--------------------|---------------------------------|
| DRAWN BY: BAS | Dual Glazed LiteSpace | | |
| REVISION | | | |
| A 4/8/24 C | DATE: 04/08/2024 | SHEET NO. 19 OF 22 | FILE: Dual Glazed LiteSpace.dwg |
| B | D | | |

LH w/ Double Sidelite (Multi-Pane)



| | | | |
|----------------------------|-----------------------|---|---------------------------------|
| | | SPECIAL-LITE INC. 800 South Wilshire Street DECATUR, GA 30045 special-lite.com | |
| DRAWN BY: DAS REVISION: | Dual Glazed LiteSpace | | |
| A 1/8/24 C B D | DATE: 04/08/2024 | SHEET NO. 20 OF 22 | FILE: Dual Glazed LiteSpace.dwg |

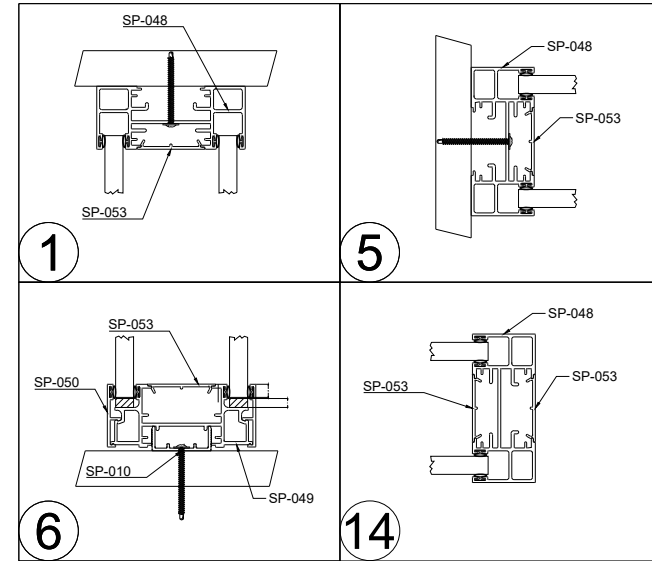
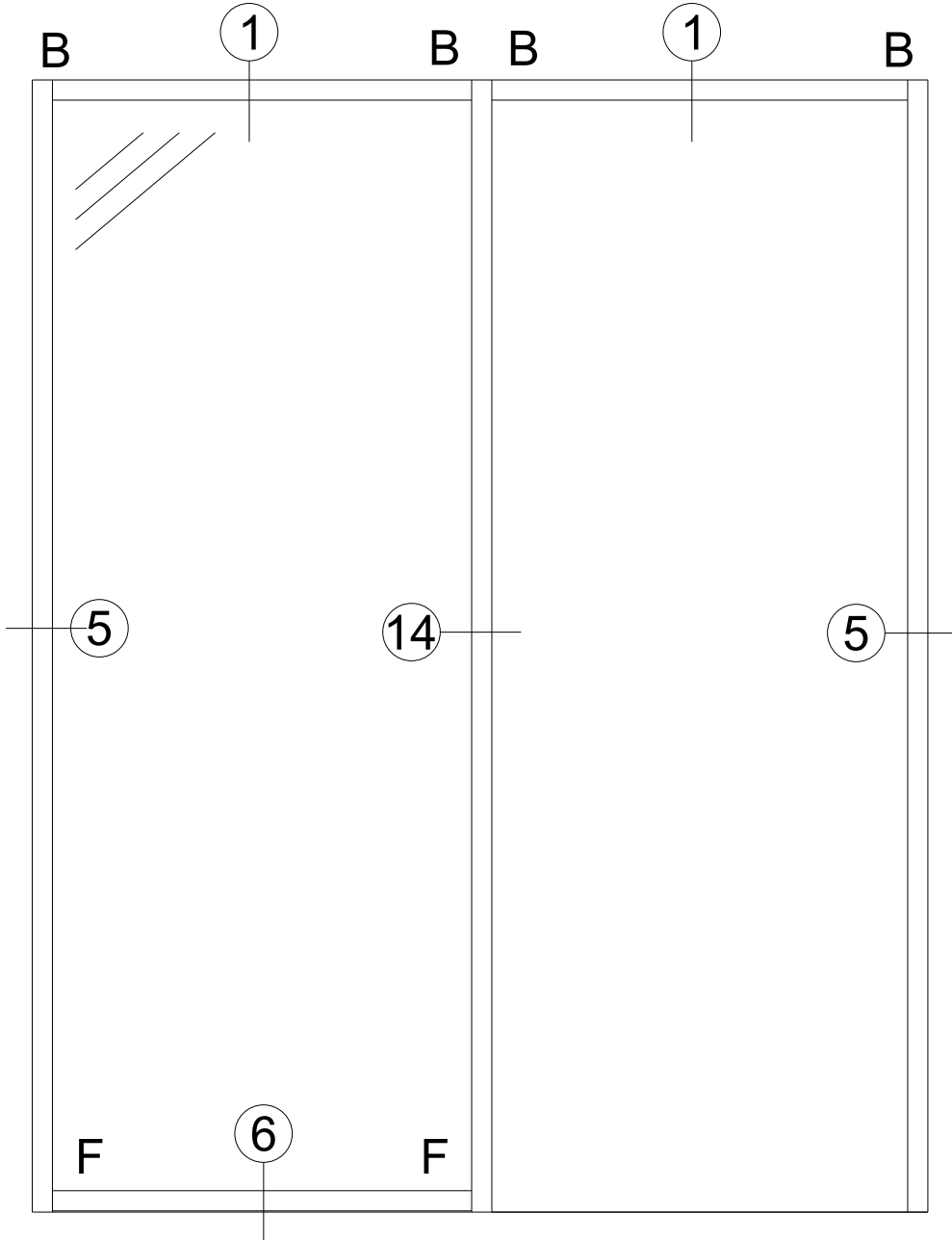
Cased Opening




SPECIAL-LITE, INC.
 880 South Williams Street
 DECATUR, MI 49045
 special-lite.com

| | | | |
|---------------|--------|-----------------------|---------------------------------|
| DRAWN BY: BAS | | Dual Glazed LiteSpace | |
| REVISION | | | |
| A | 4/8/24 | C | DATE: 04/08/2024 |
| B | | D | SHEET NO. 21 OF 22 |
| | | | FILE: Dual Glazed LiteSpace.dwg |

Cased Opening w/ Sidelite



| | | | | |
|---|--------|--|--------------------|---------------------------------|
|  | | SPECIAL-LITE, INC. 860 South Williams Street DECATUR, MI 49045 special-lite.com | | |
| | | DRAWN BY: BAS REVISION | | |
| Dual Glazed LiteSpace | | DATE: 04/08/2024 | SHEET NO. 22 OF 22 | FILE: Dual Glazed Litespace.dwg |
| A 4/8/24 B | C D | | | |