

Dual Glazed LiteSpace Demountable Glass Wall System Installation Instructions



Please read all design guidelines and instructions before beginning installation. Diagrams for each project are emailed to the Project Manager who places the order.

These instructions are provided to help prevent installation problems caused by most common errors. They are strictly recommendations and are not intended to be a step-by-step, foolproof installation checklist suitable for every situation. There are many variations of installations not covered in these instructions that Special-Lite assumes are general construction knowledge to an experienced installer.

WARNING: Failure to follow good practice in installation will void the warranty on Special-Lite products. Selection of an experienced installer is the sole responsibility of the project owner.

Questions? Call 1-800-821-6531 and ask for a Special-Lite Customer Service Representative.

You can find these and other Installation Instructions on Special-Lite's website at special-lite.com/installation-instructions.

**Installation
Resources:**



Table of Contents:



Section	Page No.
Design Guidelines	<u>3</u>
Recommended Tools	<u>4</u>
Recommended Fasteners	<u>5</u>
Parts List	<u>6</u>
Installation: Borrowed Lite.....	<u>7</u>
Installation: Door with Sidelite.....	<u>14</u>
Measuring for Glass.....	<u>25</u>
Installing Glass	<u>26</u>
Returns with 3-Way Miter	<u>27</u>

Design Guidelines:



Opening Requirements

- LiteSpace is designed to be mounted on finished openings.
- The opening surfaces MUST be level, plumb, and square.
- The opening surfaces must be clean (with no buildup of drywall or putty).

Cut to Length

LiteSpace profile extrusions are delivered in lengths of 126" (3.20 m). These extrusions are then cut to length to fit your desired opening.

Height and Weight Limitations

With hinge jamb mounted to finished wall:

- Maximum Opening Height: 10 feet (3.05 m)
- Maximum door height: 10 feet (3.05 m)
- Maximum total door weight, including glass and hardware: 175 lbs (79.4 kg)

With hinge jamb mounted to vertical intermediate mullion:

- Maximum door height: 8 feet (2.44 m)
- Maximum door weight, including glass and hardware: 140 lbs (63.5 kg)

Glazing Specifications

LiteSpace is compatible with 3/8" glass as standard, and can also accommodate 1/4" or 1/2" glass.

Final glass dimensions should be taken only after LiteSpace has been installed to ensure accuracy.

The vinyl glazing bulb must be pulled into the LiteSpace aluminum extrusions before they are installed; this step is essential.

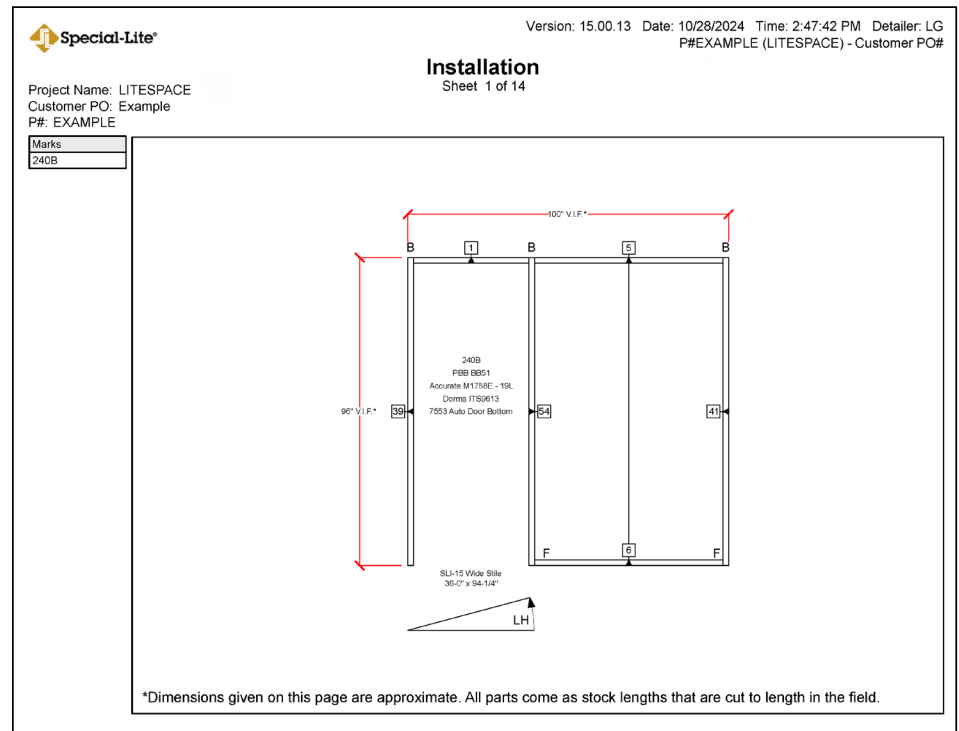
Installers may select from various methods to install glass panels: wet glazing, polycarbonate glazing channels, or a glazing bead combined with glazing tape, based on preference and project requirements (installer provides glazing method).

Snap-in glass stops are available to streamline glass installation and should be factored into the design and installation plan.

Intermediate mullions require special consideration.

Project-Specific Installation Details

Diagrams for each opening are sent via email to the Project Manager who places the order.



Recommended Tools:

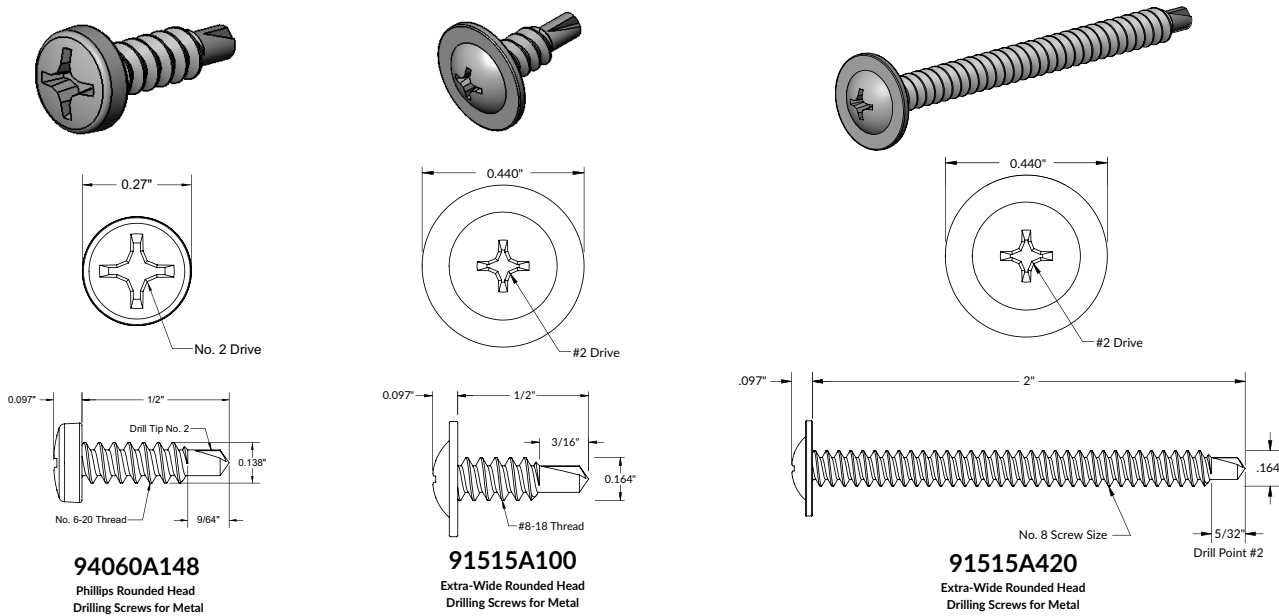
- 3' Level
- 6' Level
- Laser Level
- Combination or Speed Square
- Screw Gun and Drill
- 3/16" Drill Bit
- Drill Bit for optional plastic anchors
- Chop Saw
- Rubber Mallet and Wood Block
- Rotary Hammer (concrete floor or block wall only)
- 3/16" Rotohammer Bit
- Two 12-inch Clamps
- Utility Knife
- Ladder

Recommended Fasteners:

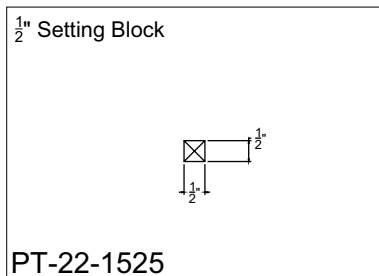
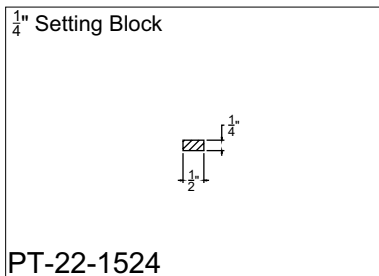
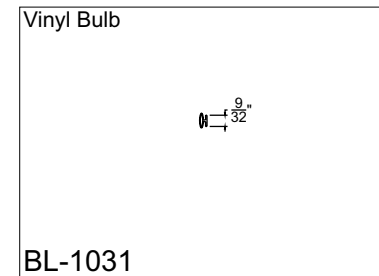
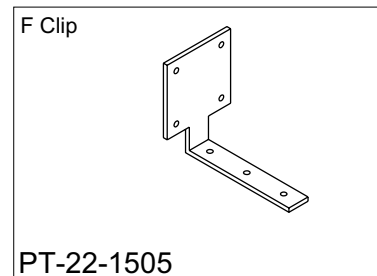
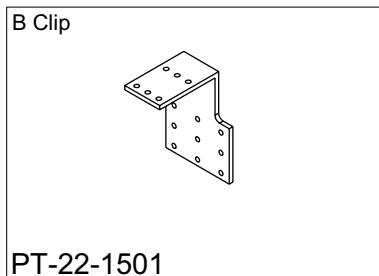
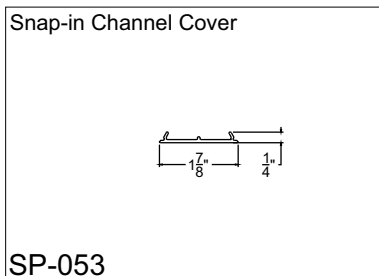
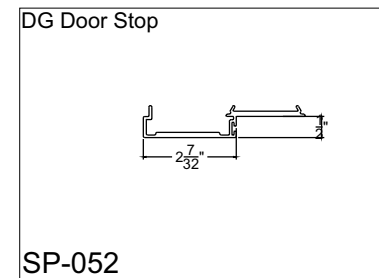
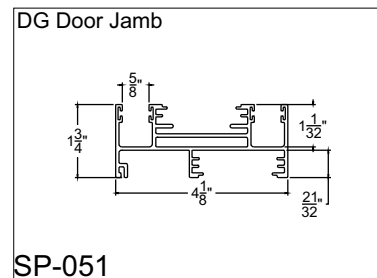
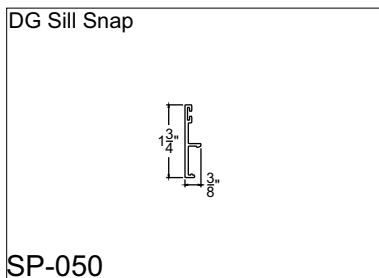
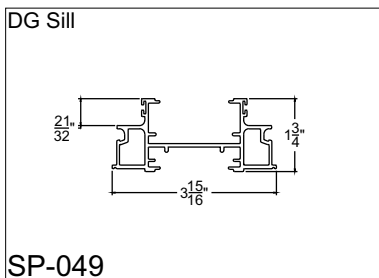
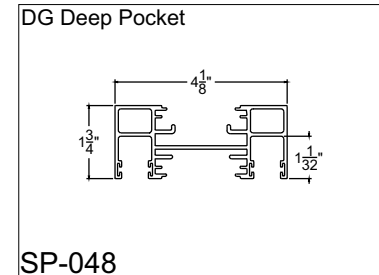
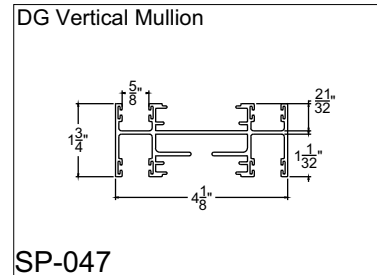
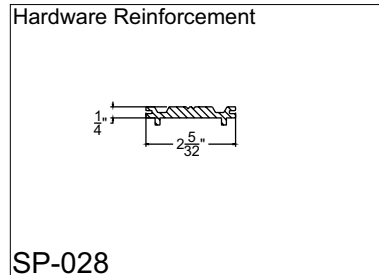
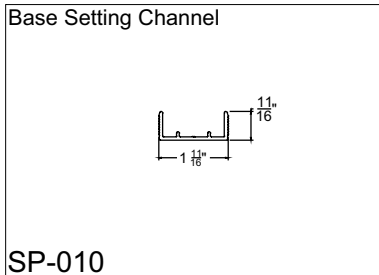


Fasteners for Clips:

Special-Lite recommends the following screw types for use with Dual Glazed LiteSpace clips. All fasteners below are available from McMaster-Carr.



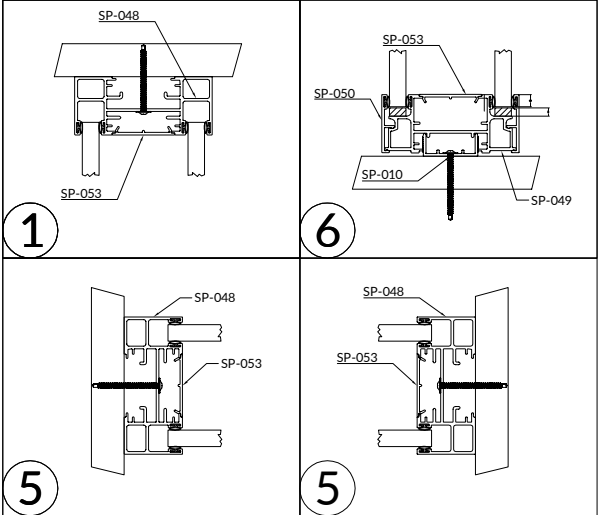
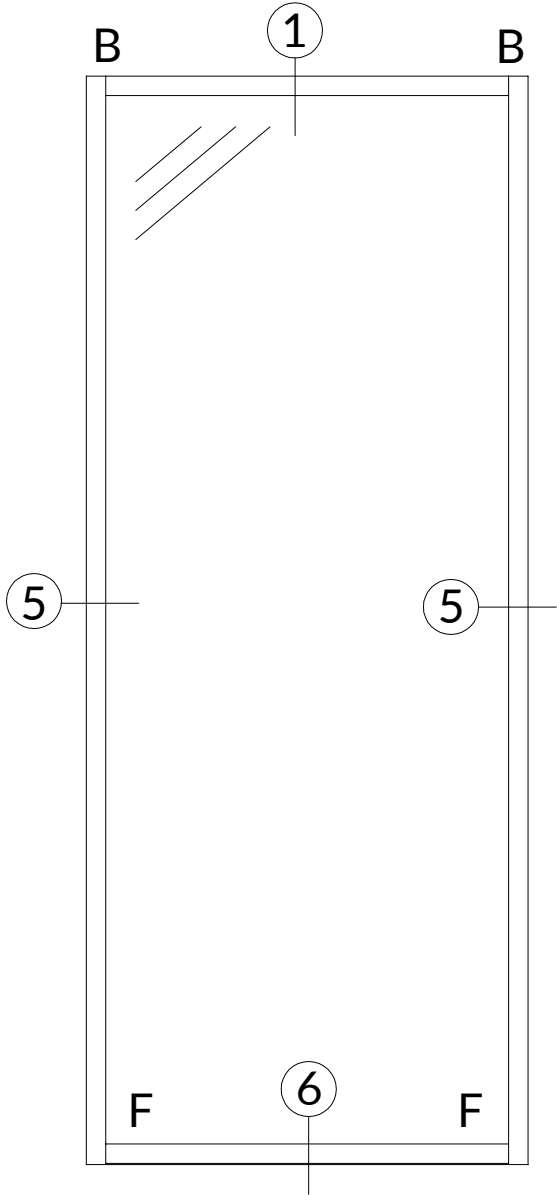
Parts List:



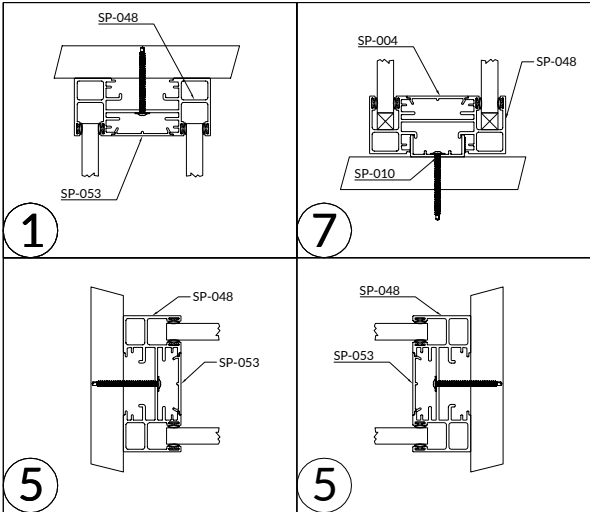
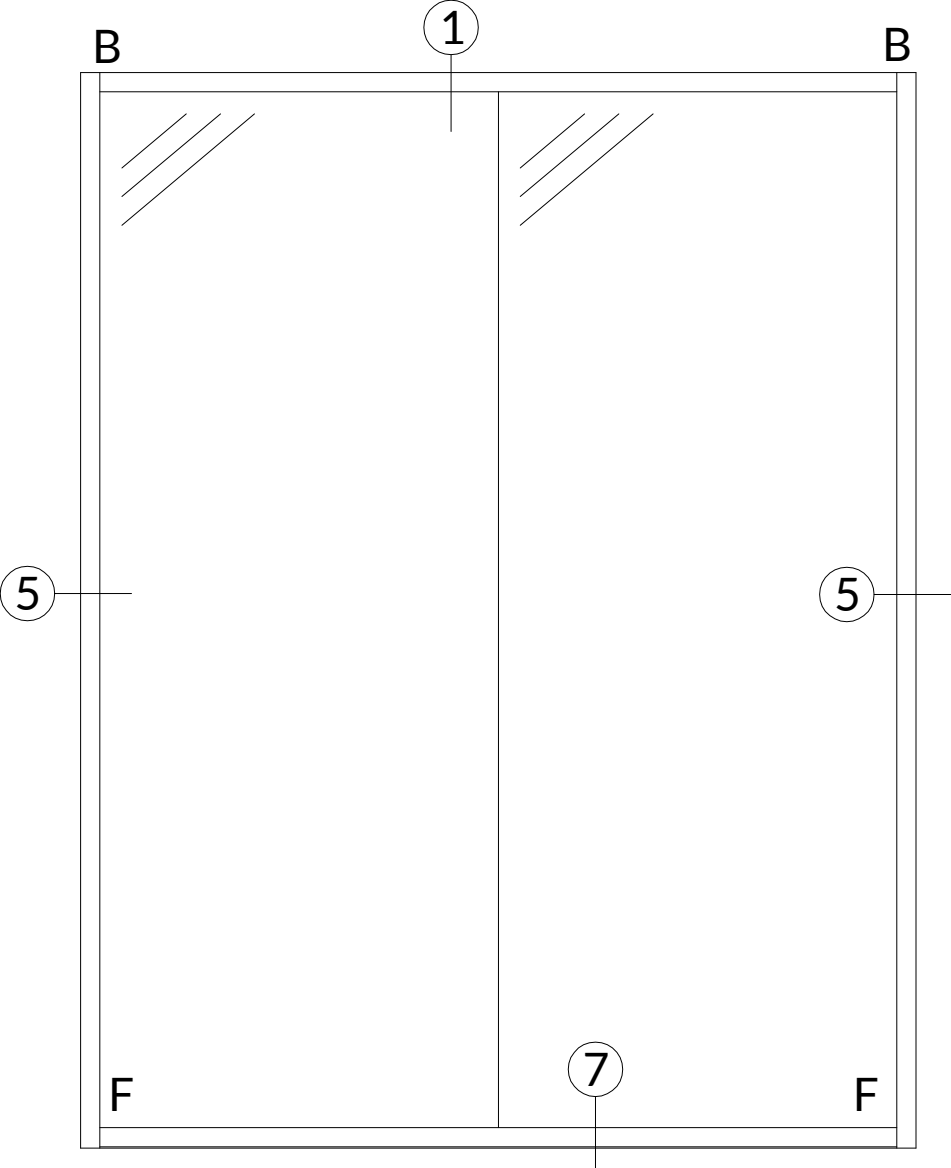
Installation: Borrowed Lite



Single Pane Details



Multi Pane Details

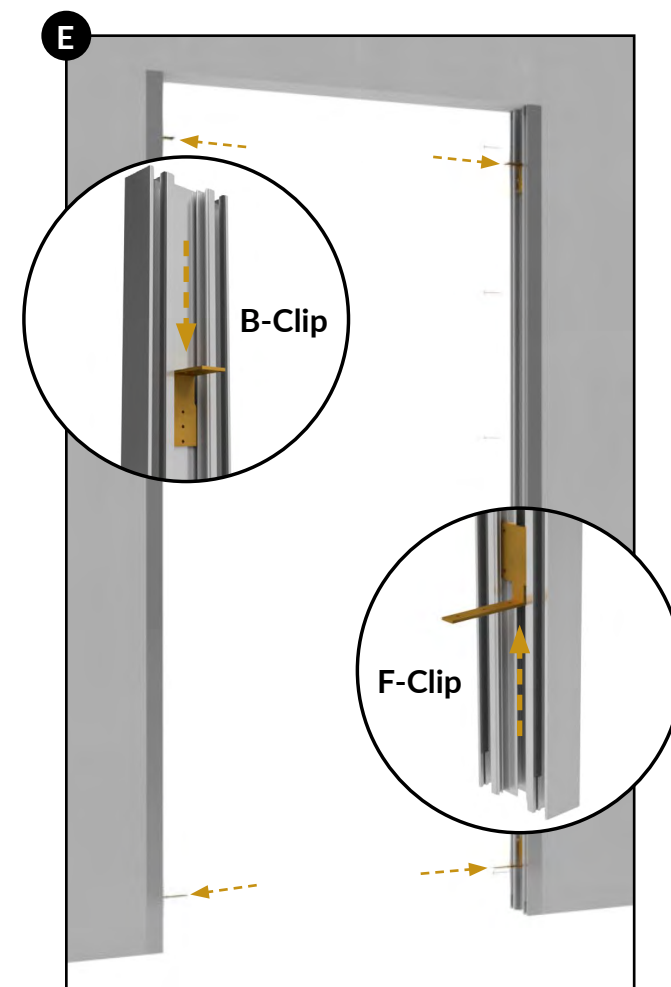
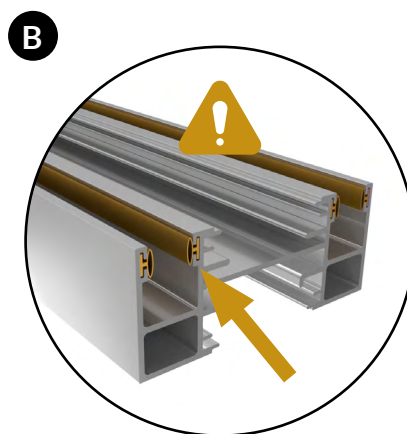
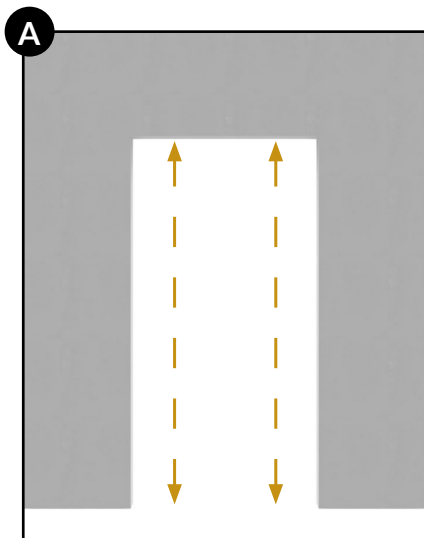


STEP 1

Install the verticals to the opening.

- A. Determine the height of the rough opening.
- B. Ensure that the vinyl has been pulled into all extrusions before installation.
- C. Measure and cut the SP-048 Deep Glass Pocket so that it runs the full height of the opening.
- D. Pre-drill the SP-048 Deep Glass Pocket for an anchor clearance hole every 16" and 3" from each edge.
- E. Pre-load a B-Clip and F-Clip into each vertical prior to installation.
- F. Secure both of the verticals to the wall.

Note: Make sure both of the verticals are plumb with each other and that the glass pockets are in the same plane. Misalignment will affect glass installation.

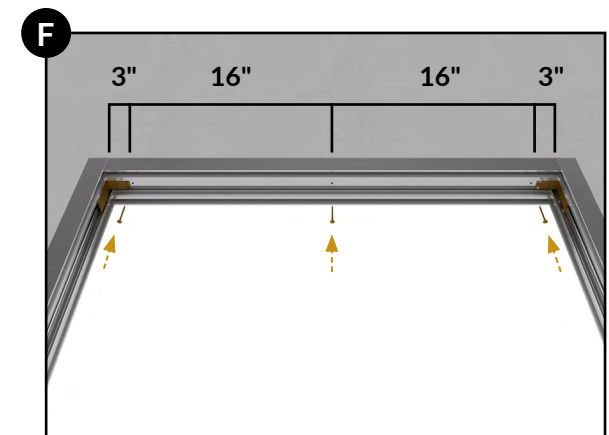
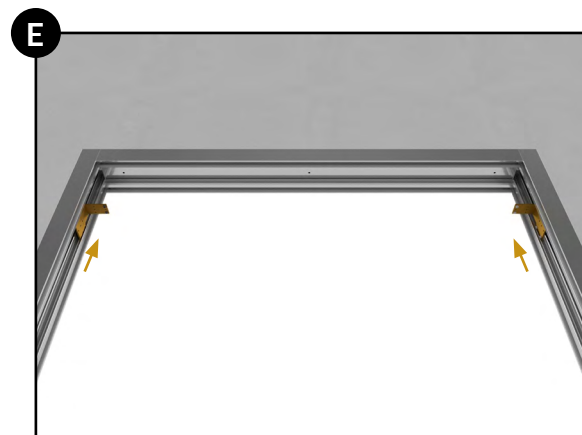
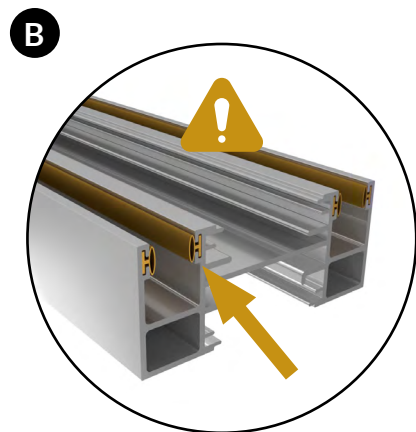


STEP 2

Install Horizontal Deep Glass Pocket at the header.

- A. Determine the width between both verticals at the header.
- B. Ensure that the vinyl has been pulled into all extrusions before installation.
- C. Measure and cut the SP-048 Deep Glass Pocket to length.
- D. Pre-drill the SP-048 Deep Glass Pocket for an anchor clearance hole every 16" and 3" from each end.
- E. Secure the B-Clips.
- F. Square the header to the verticals and secure it to the opening.

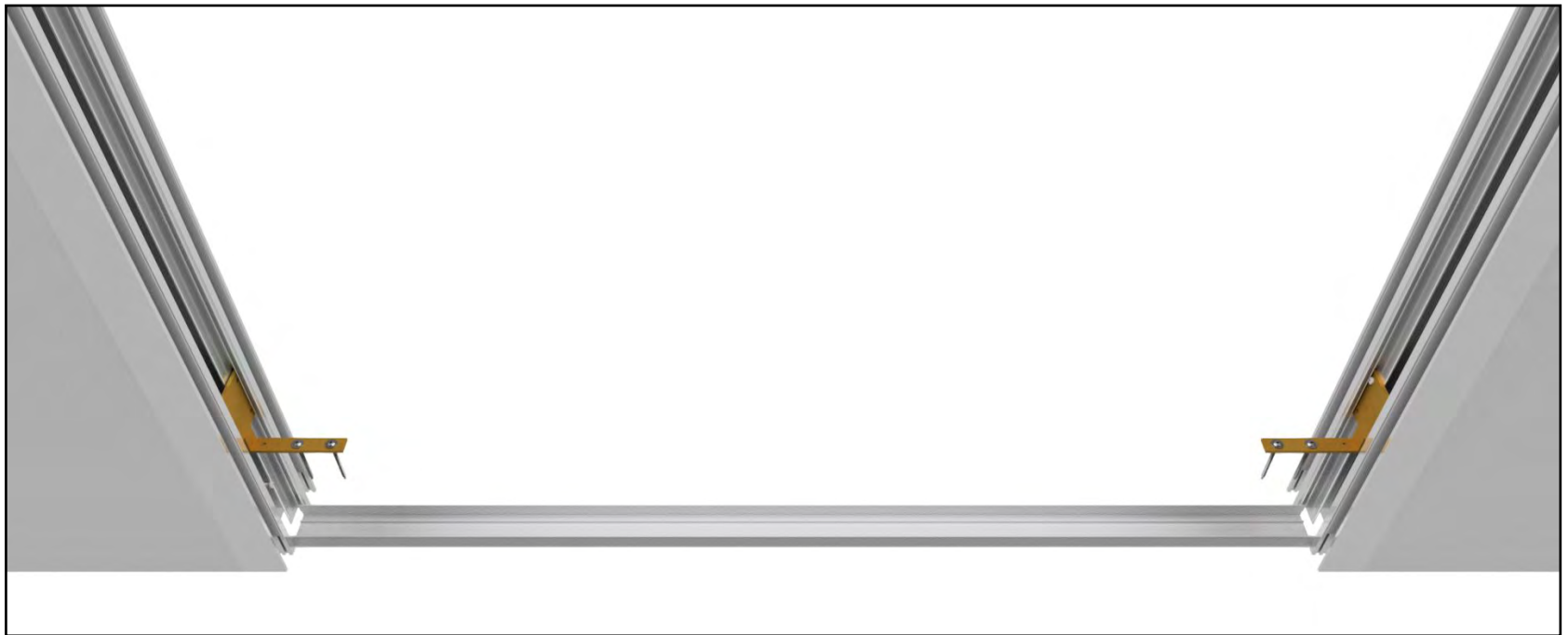
Note: Make sure the header is flush with the vertical at both ends. Misalignment will affect glass installation.



STEP 3

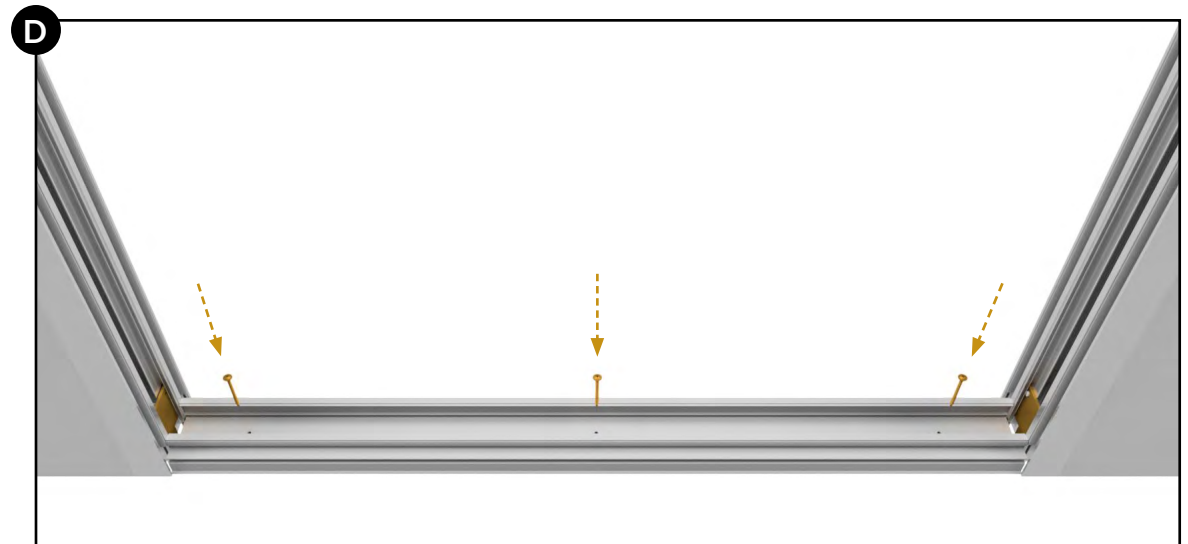
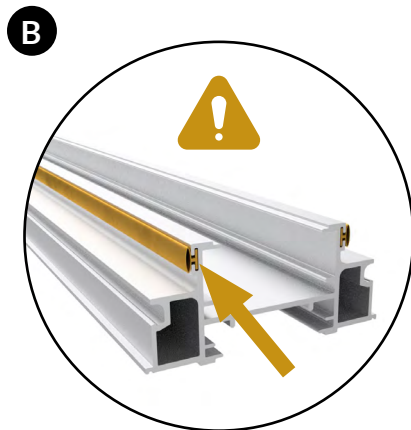
Install the Base Setting Channel.

- A. Determine the width between the vertical frame members at the sill and add 3/4".
- B. Measure and cut SP-010 Base Setting Channel to length.
- C. Pre-drill the SP-010 Base Setting Channel for an anchor clearance hole every 16" and 3" from each edge.
- D. Install the SP-010 Base Setting Channel by inserting each end into the vertical 3/8" at an angle and twisting it into place.
- E. Secure the F-Clips to the SP-048 Deep Glass Pocket vertical frame members and then to the SP-010 Base Setting Channel.
- F. Secure the SP-010 Base Setting Channel to the floor.



STEP 4 Install the Horizontal Sill.

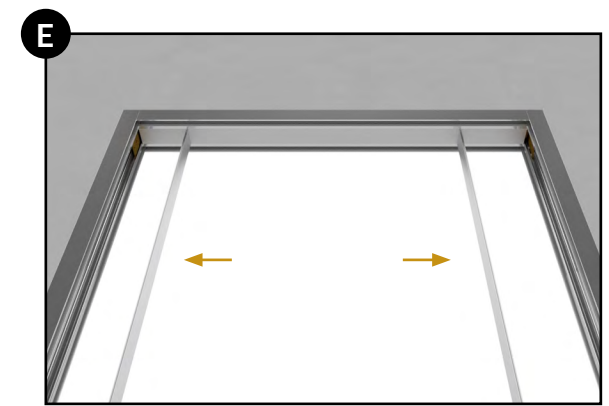
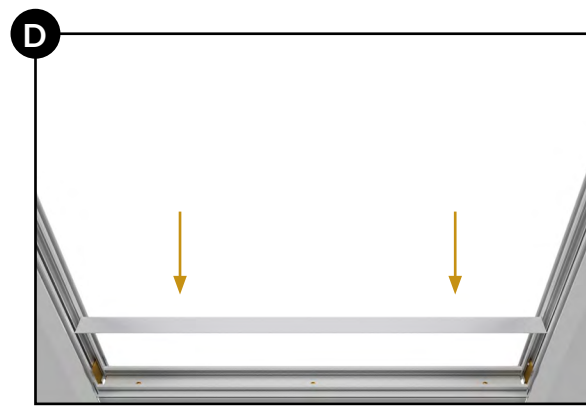
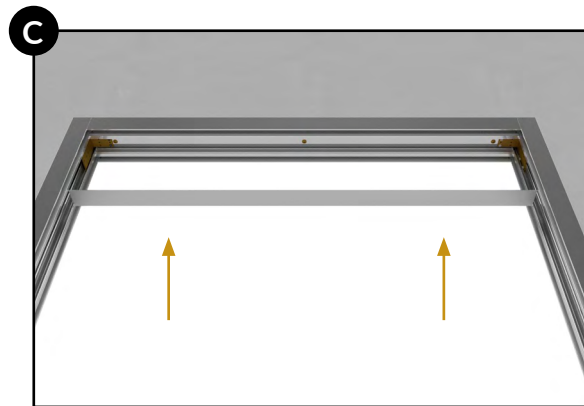
- A. Determine the width between the vertical frame members at the sill.
- B. Ensure that the vinyl has been pulled into all extrusions before installation.
- C. For single pane borrowed lites, measure and cut the SP-049 DG Sill and (2) SP-050 DG Sill Snaps to length; for multi-pane borrowed lites, the SP-048 Deep Glass Pocket is used.
- D. Snap in the SP-049 DG Sill or SP-048 Deep Glass Pocket to the SP-010 Base Setting Channel and secure. If required, set aside the SP-050 DG Sill Snap until glass is installed.



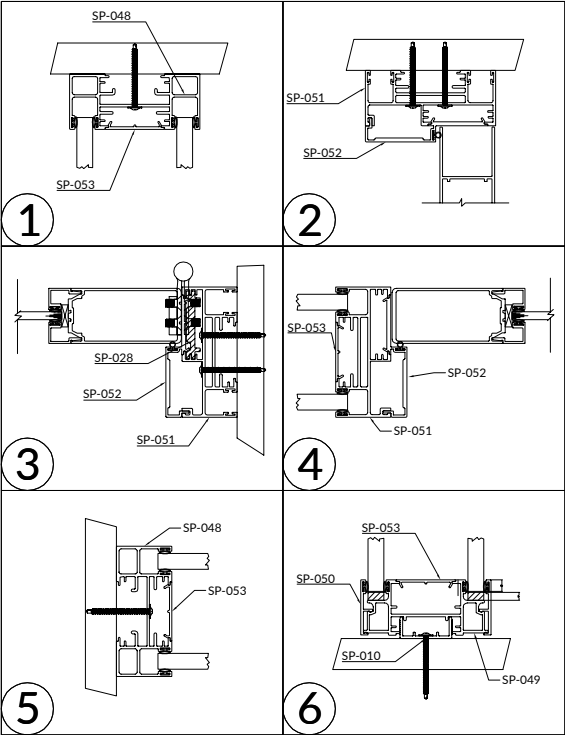
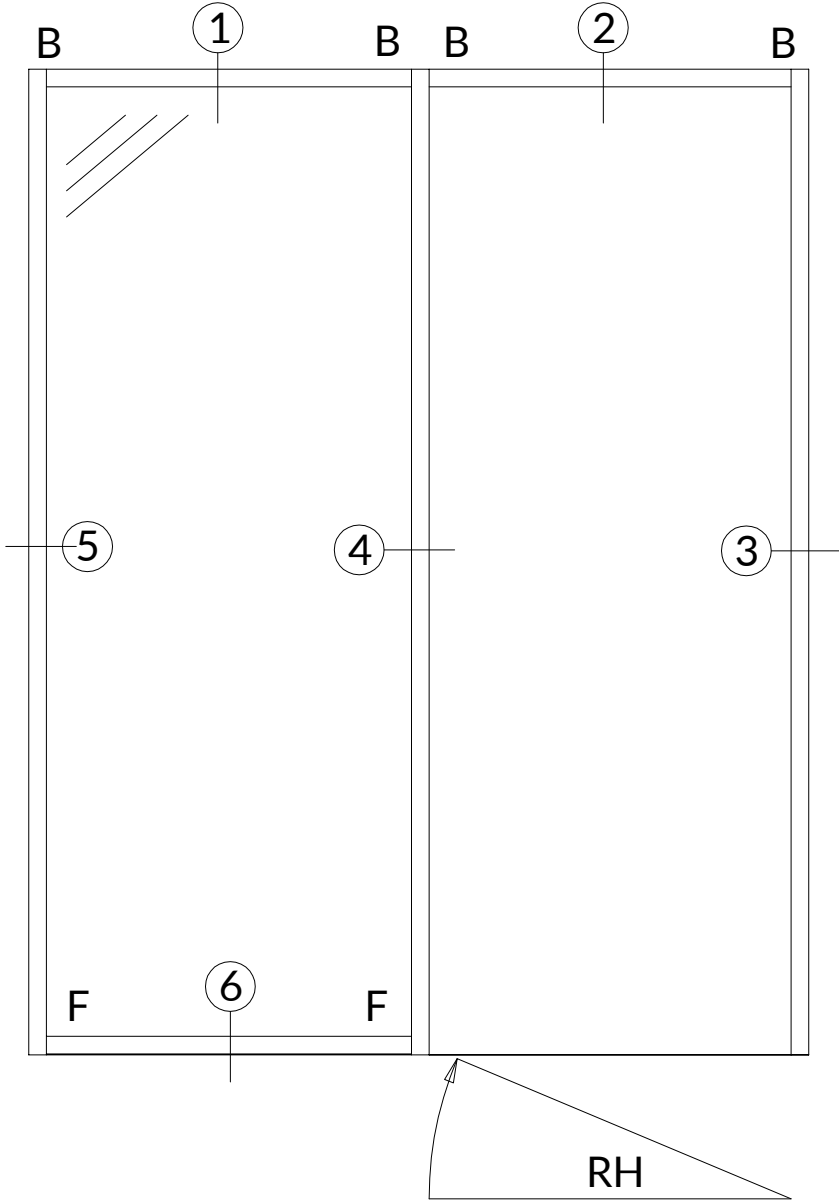
STEP 5

Install the Snap-In Channel Covers.

- A. Determine the DLO (Day Light Opening) measurements.
- B. Measure and cut (4) SP-053 Snap-In Channel Cover to the length of each frame section.
- C. Install the SP-053 Snap-In Channel Cover at the header using a wood block and rubber mallet.
- D. Install the SP-053 Snap-In Channel Cover at the sill using a wood block and a rubber mallet.
- E. Install the SP-053 Snap-In Channel Cover at both verticals using a wood block and rubber mallet.



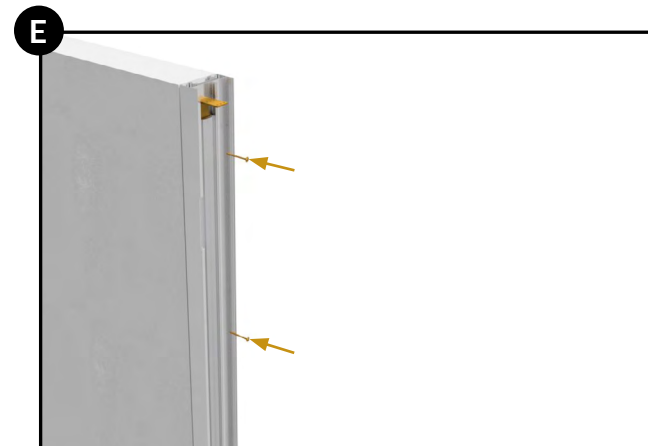
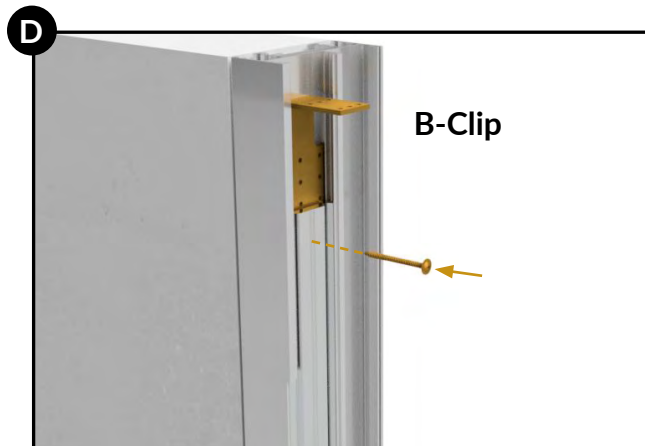
Installation: Door with Sidelite



STEP 1

Install the Hinge Jamb to the opening.

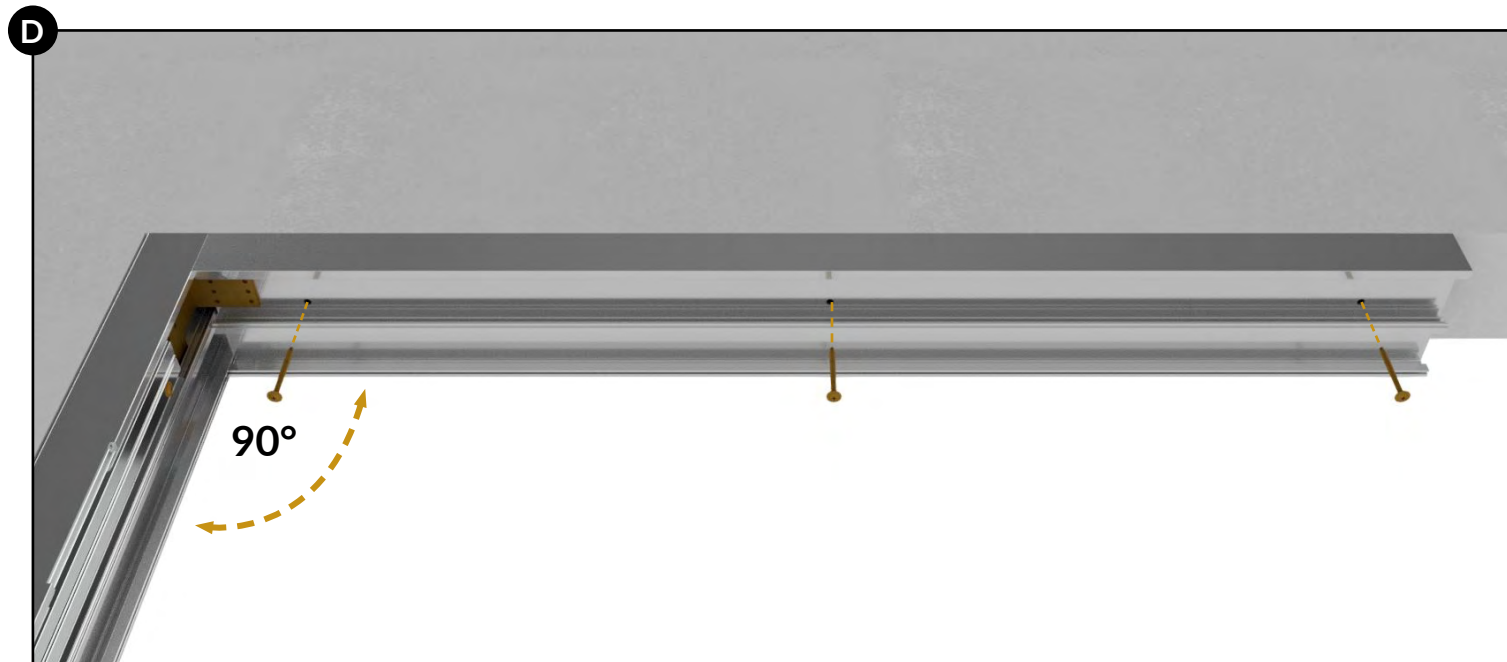
- A. Locate the corresponding hinge jamb assembly: SP-051 Door Jamb, SP-028 Reinforcement, and SP-052 Door Stop. Remove the reinforcement and door stop and place to the side. The SP-028 Reinforcement will be used on step 1.C. The SP-052 Door Stop will be used on step 9.A.
- B. Hinge preps are located from the bottom of the jamb, measure the finished opening and verify it matches the project drawings to achieve proper door and frame clearances at the header. Check the handing and trim the SP-051 Door Jamb from the top so that it runs the full height.
- C. Subtract 4" from the opening height and cut the SP-028 Reinforcement to length. Slide it back into the hinge jamb so that it is flush with the bottom. Ensure the hinge screw holes on the SP-028 Hinge Jamb are aligned with the corresponding hinge prep locations on the SP-051 Door Jamb. Verify alignment before finalizing installation to avoid misalignment issues.
- D. Pre-drill the reinforcement and hinge jamb with a clearance hole every 16" and 3" from each edge and then pre-load a B-Clip as shown.
- E. Install the hinge jamb so it is plumb and square to the opposite wall, then secure it using appropriate anchors depending on wall construction.



STEP 2

Install the Header to the opening.

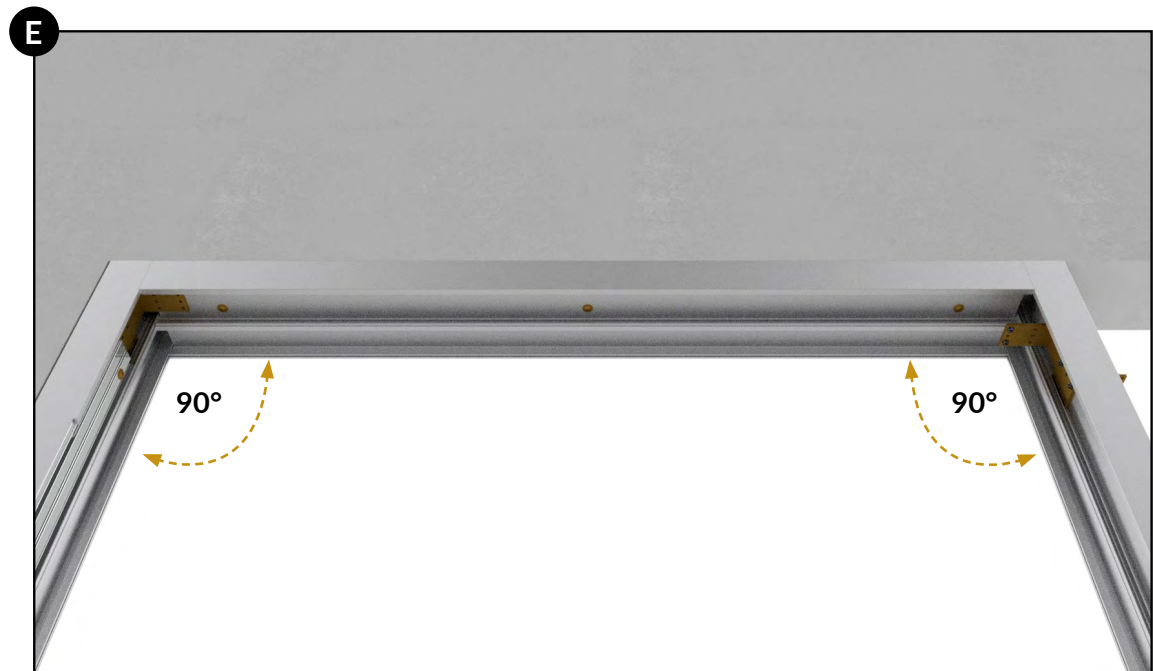
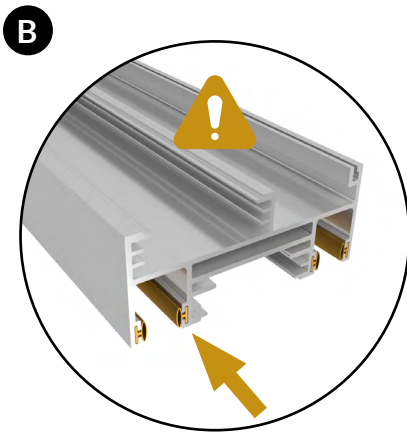
- A. Check the project drawings and determine the header width necessary to achieve proper clearances with the hinges being used. Cut the SP-051 Door Jamb to length.
- B. Pre-drill the header with clearance holes 3" from each edge and no more than 16" apart.
- C. Install the header so that it is flush and square with the hinge jamb. Ensure there are no gaps, then secure the B-Clip to the header and hinge jamb using self-tapping screws.
- D. Secure the header using appropriate anchors depending on wall construction.



STEP 3

Install the Strike Jamb to the opening.

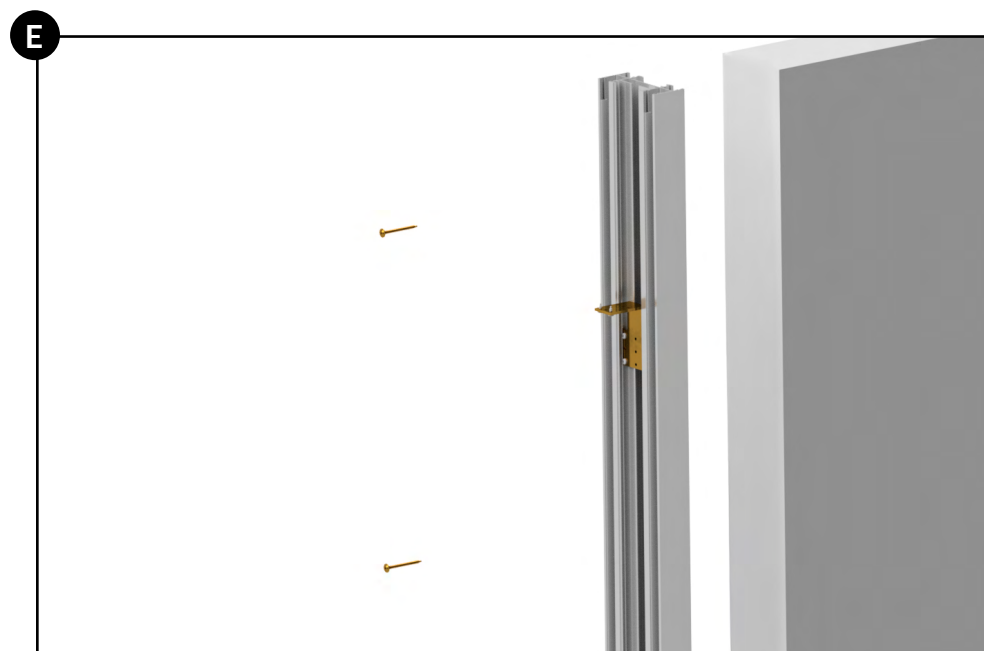
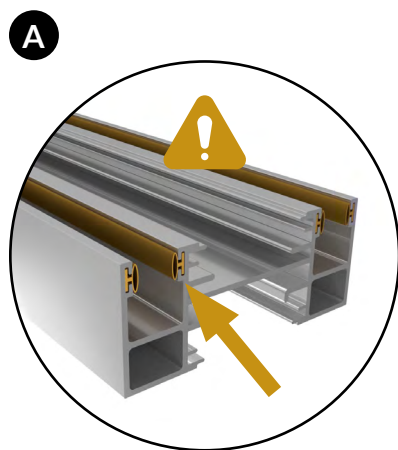
- A. Locate the corresponding strike jamb assembly: SP-051 Door Jamb, and SP-052 Door Stop. Place the SP-052 Door Stop to the side.
- B. Ensure that the vinyl has been pulled into the glass pockets on the backside of the strike jamb.
- C. Strike preps are located from the bottom of the jamb. Measure and cut the strike jamb from the top so it runs full height of the opening.
- D. Pre-load (2) B-Clips and (1) F-Clip.
- E. Make sure it is installed plumb and square to the header, then attach the B-Clip to header and strike jamb using self-tapping screws.



STEP 4

Install the Deep Glass Pocket at the wall.

- A. Ensure that the vinyl has been pulled into the glass pockets.
- B. Measure and cut the SP-048 Deep Glass Pocket so that it runs the full height of the opening.
- C. Pre-drill the SP-048 Deep Glass Pocket for an anchor clearance hole every 16" and 3" from each edge.
- D. Pre-load a B-Clip at the top and F-Clip at the bottom into the SP-048 Deep Glass Pocket vertical prior to installation.
- E. Ensure the SP-048 Deep Glass Pocket is flush and square to the hinge jamb at the opposite wall then secure it using appropriate anchors depending on wall construction. Both verticals should be plumb with glass pockets are in the same plane. Misalignment will affect glass installation.

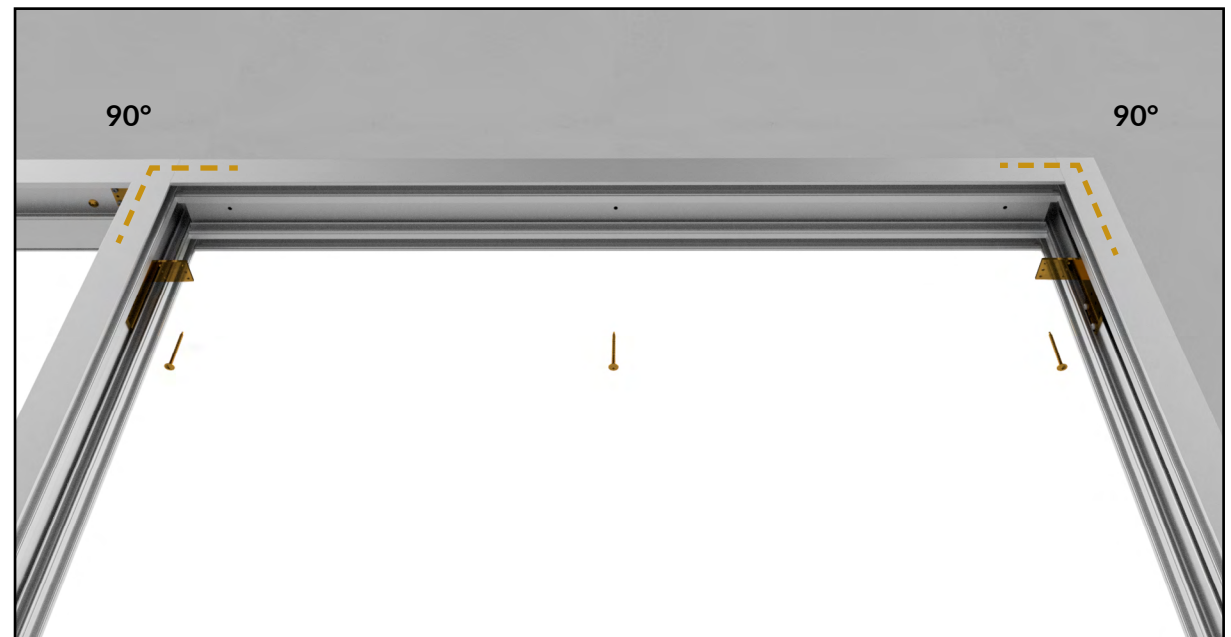
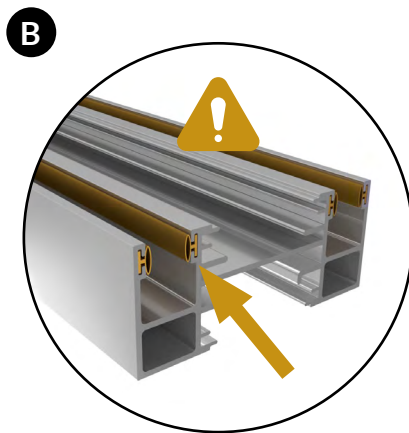


STEP 5

Install the sidelite horizontal Deep Glass Pocket at the header.

- A. Determine the width between both of the verticals at the head.
- B. Ensure that the vinyl has been pulled into all extrusions before installation.
- C. Measure and cut the SP-048 Deep Glass Pocket to length.
- D. Pre-drill the SP-048 Deep Glass Pocket for an anchor clearance hole every 16" and 3" from each edge.
- E. Square the header to the verticals. Secure the B-Clips and then secure the header to the opening.

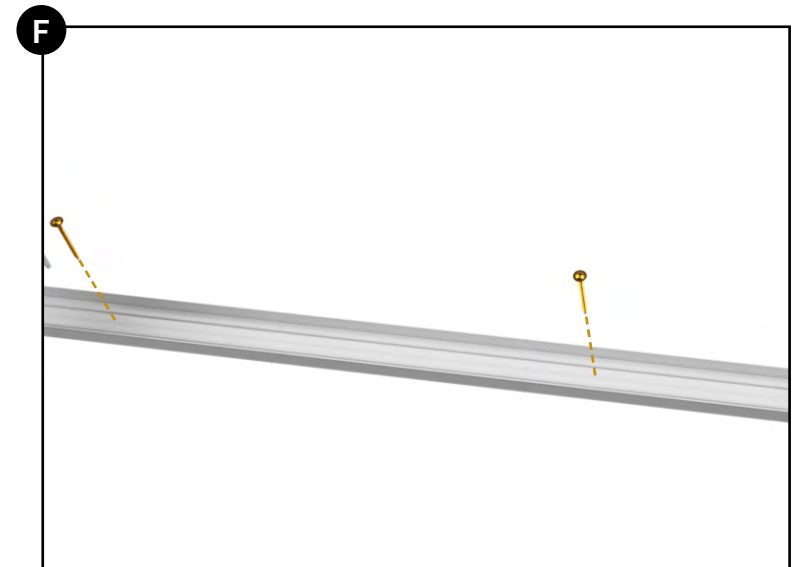
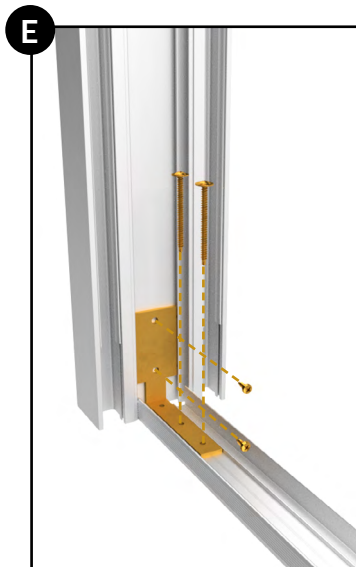
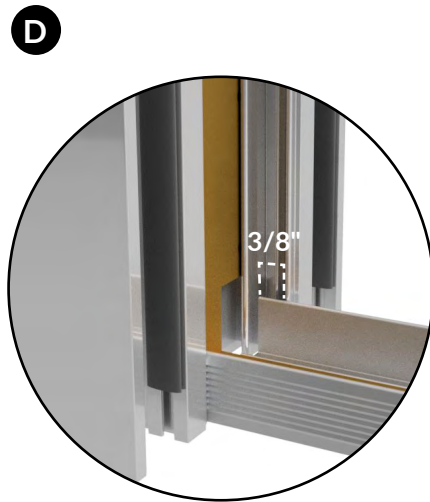
Note: Make sure the header is flush with the vertical at both ends. Misalignment will affect glass installation.



STEP 6

Install the Base Setting Channel.

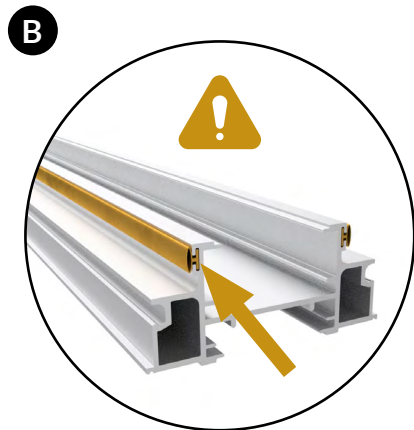
- A. Ensure that the strike jamb is plumb, then use a spreader bar to maintain the proper door opening width. Measure the width between the SP-048 Deep Glass Pocket at the wall and the SP-051 DG Door Jamb glass pocket at the strike jamb.
- B. Add 3/4" to the width and cut the SP-010 Base Setting Channel to length.
- C. Pre-drill the SP-010 Base Setting Channel for an anchor clearance hole every 16" and 3" from each edge.
- D. Install the SP-010 Base Setting Channel by inserting each end into the vertical 3/8" at an angle and twisting it into place.
- E. Secure an F-Clip to the SP-048 Deep Glass Pocket at the wall and the SP-010 Base Setting Channel. Check the strike jamb is located correctly and secure the F-Clip using self-tapping screws.
- F. Secure the SP-010 Base Setting Channel to the floor.



STEP 7

Install the sill.

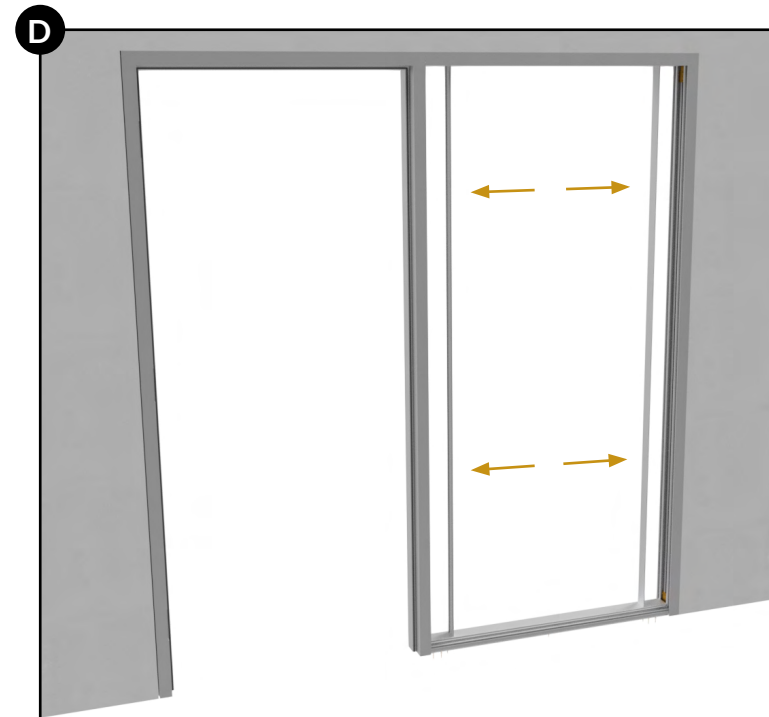
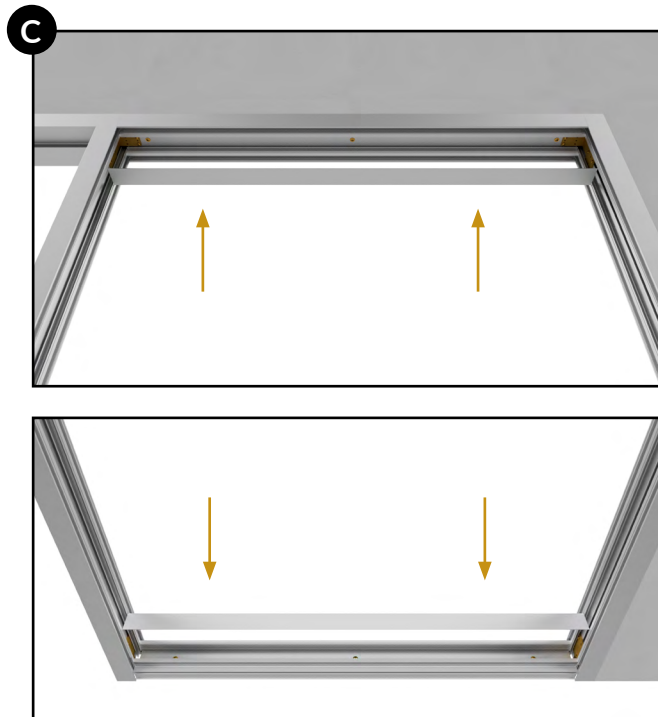
- A. Determine the width between both verticals at the sill.
- B. Ensure the vinyl has been pulled into all extrusions before installation.
- C. For single pane sidelites, measure and cut SP-049 DG Sill and (2) SP-050 DG Sill Snaps to length; for multi-pane sidelites, SP-048 Deep Glass Pocket is used.
- D. Snap in SP-049 DG Sill or SP-048 Deep Glass Pocket to SP-010 Base Setting Channel and secure to the floor. If required, set aside the SP-050 DG Sill Snap until glass is installed.



STEP 8

Install the Snap-In Channel Covers.

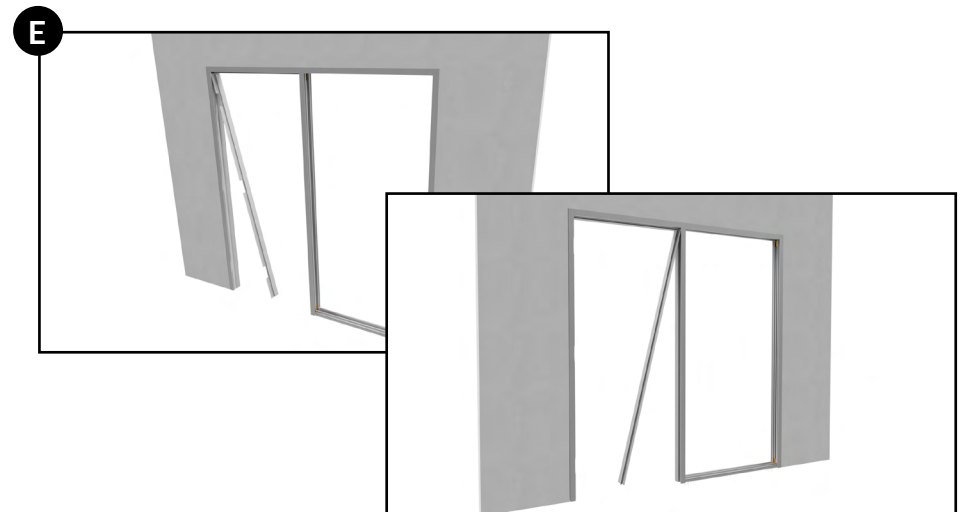
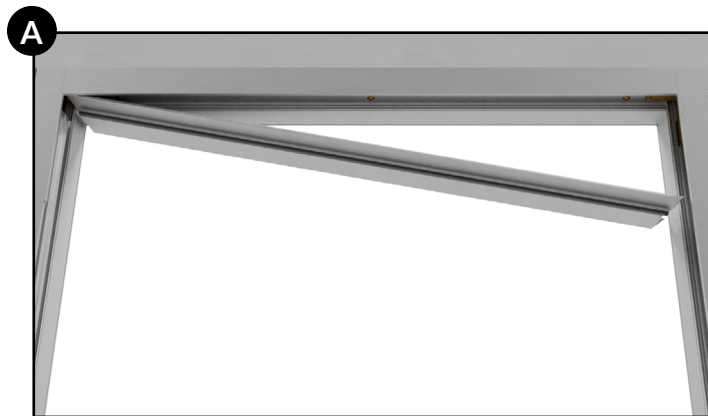
- A. Determine the DLO (Day Light Opening) measurements.
- B. Measure and cut (4) SP-053 Snap-In Channel Covers to the length of each perimeter section.
- C. Install the SP-053 Snap-In Channel Covers at the header and sill using a wood block and rubber mallet.
- D. Install the SP-053 Snap-In Channel Covers at both verticals using a wood block and rubber mallet.



STEP
9

Install the Door Stops.

- A. Install the door stop into the header by lining it up and using a wood block and rubber mallet to tap it into place. Make sure it is centered and there are no gaps.
- B. Measure the door opening width and cut the header door stop at 45 degrees on both ends. It is recommended to trim the points for ease of installation.
- C. Locate the corresponding SP-052 Door Stops for the hinge and strike jambs. Measure the door opening height and cut the door stops at a 45 degree angle from the top.
- D. Ensure the door gasket has been pulled into the door stop before installation.
- E. Install the corresponding SP-052 Door Stops into the hinge and strike jambs by going in at an angle at the top, then pushing up and tapping them in with a wood block and rubber mallet to ensure that there are no gaps at each corner.



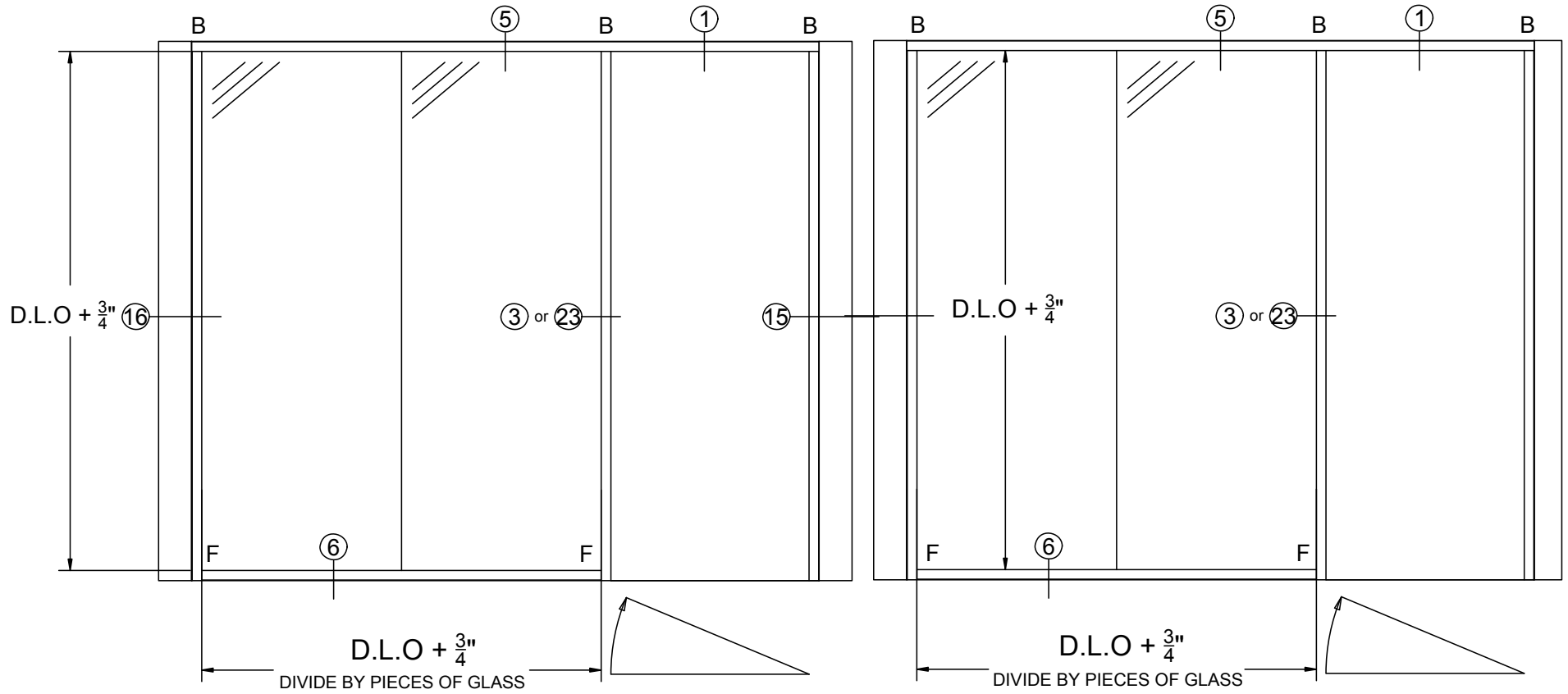
**STEP
10**

Hang the door.

- A. If using surface mount hinges, determine and mark hinge locations. Drill thru SP-052 Door Stop and tap the SP-028 Reinforcement for hinge screws.
- B. For butt hinges, drill and tap the SP-028 Reinforcement at the prepped locations.
- C. Hang the door and check for proper clearances between the door and frame. Shim where necessary.
- D. Install the strike and verify the door latches and swings properly.



How to Measure for Glass:

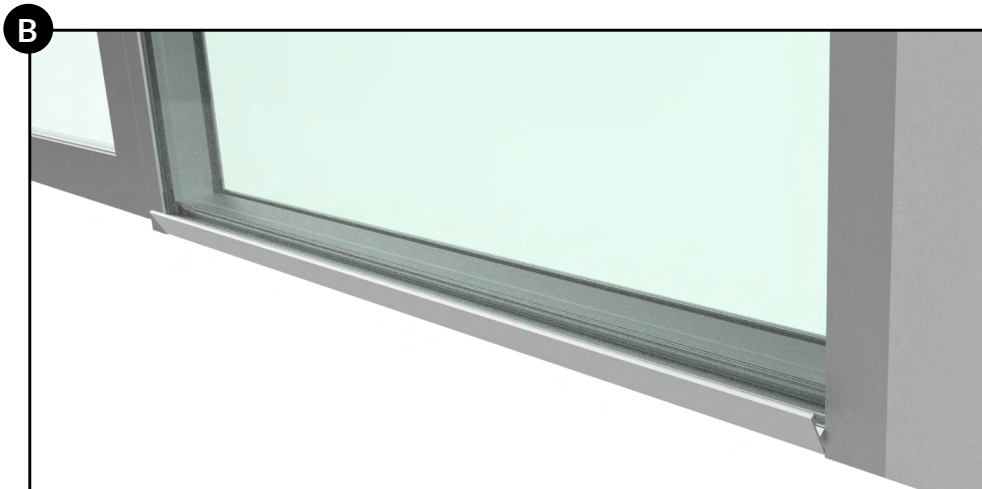


Installing Glass:



Installing Glass (Single Pane)

- A. Set glass on sill pocket, slide it into either side pocket, then slide it back to center it.
- B. Lift up and place 1/4" setting blocks (PT-22-1524) before snapping on SP-050 DG Sill Snap to SP-049 DG Sill with a rubber mallet to secure glass.
- C. Wash the inside of both panes of glass before second piece is installed **Note: You won't be able to clean the inside of the glass after installation.**
- D. Repeat these steps for the other side.



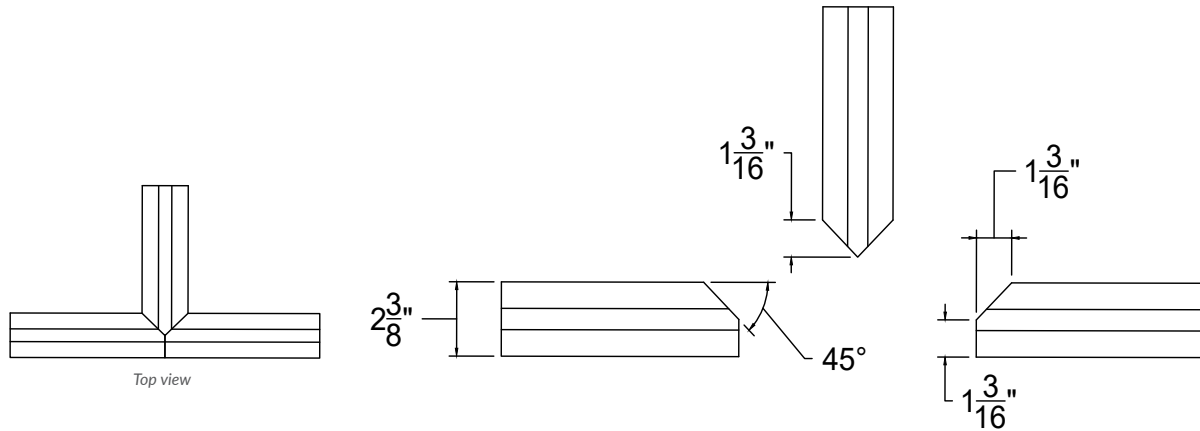
Installing Glass (Multi-Pane)

- A. Place 1/2" setting blocks (PT-22-1525) in the sill glass pockets.
- B. Lift glass up and push it into the header glass pocket until the bottom edge clears the sill, then set it into the sill glass pocket on the setting blocks.
- C. Slide the glass all the way into a side pocket and continue adding the rest of the glass.
- D. When finished, shuffle the glass back so that both edges are 3/8" into the glass pocket and there are no gaps between glass edges.
- E. Wash the inside faces of the glass before the other side gets glass installed **Note: You won't be able to clean the inside of the glass after installation.**
- F. Repeat these steps for the other side.

Returns with 3-Way Miter:



For configurations with 45 and 90 degree returns, additional cuts may be necessary at the header and sill as detailed below. SP-038 Base Setting Channel does not need to be cut.



Note: These parts are butt joint and Special-Lite does not provide clips in these conditions.

Questions? Please call 1-800-821-6531 and ask for a Special-Lite Customer Service Representative.