

SPECIAL-LITE, INC.
 860 South Williams Street
 DECATUR, MI 49045
 special-lite.com

DRAWN BY: BAS
 REVISION

500 Series OMEGA

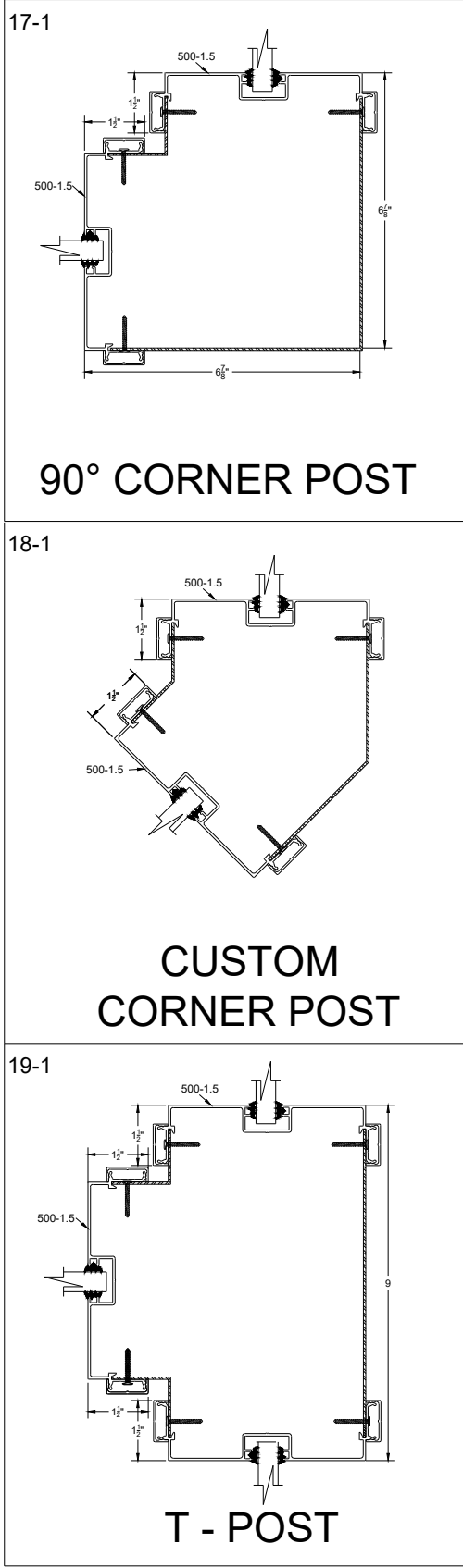
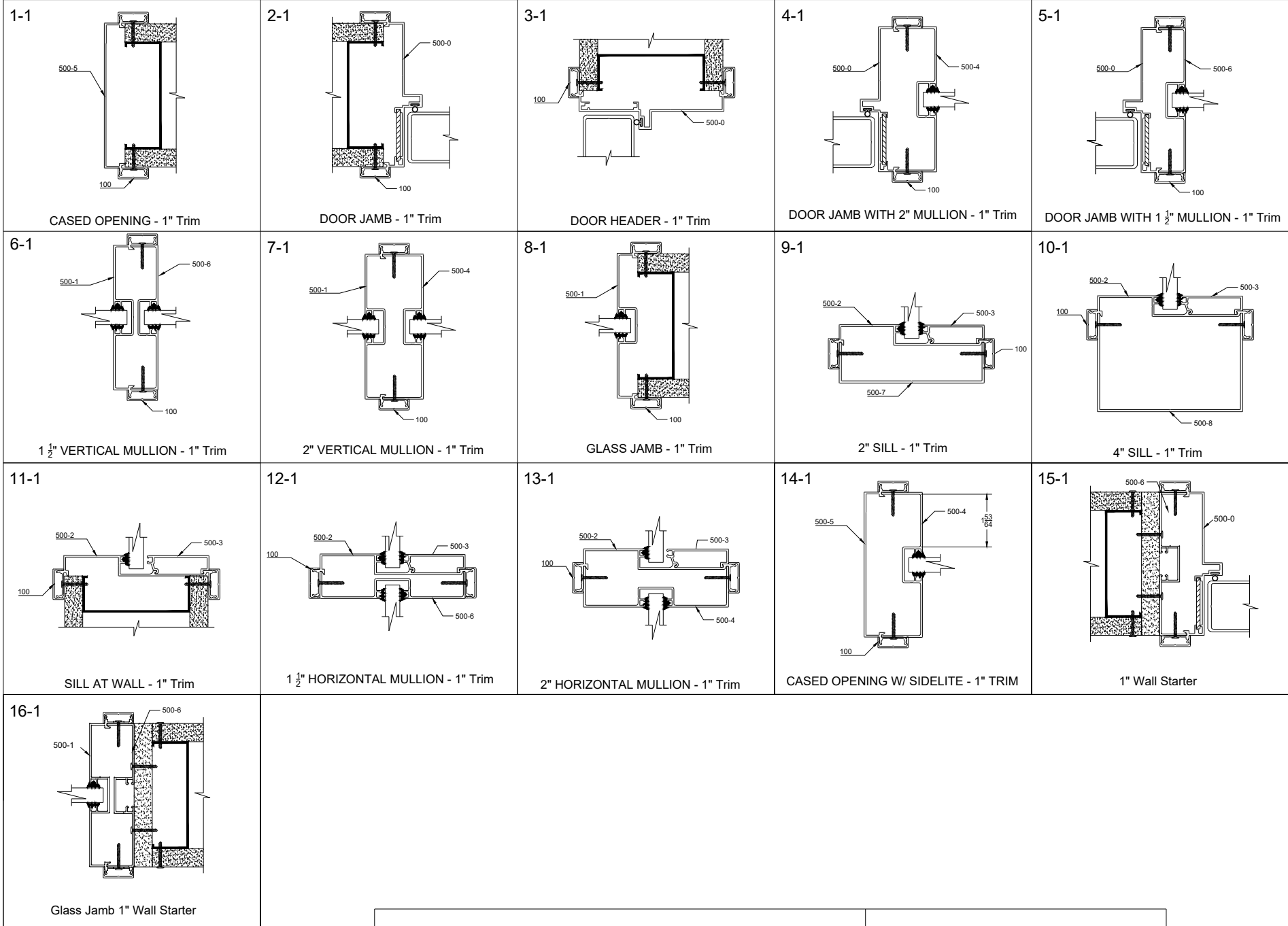
A	8/10/24	C
B		D

DATE: 08/10/2024

SHEET NO. 1 OF 5

FILE: 500 Series OMEGA Details.dwg

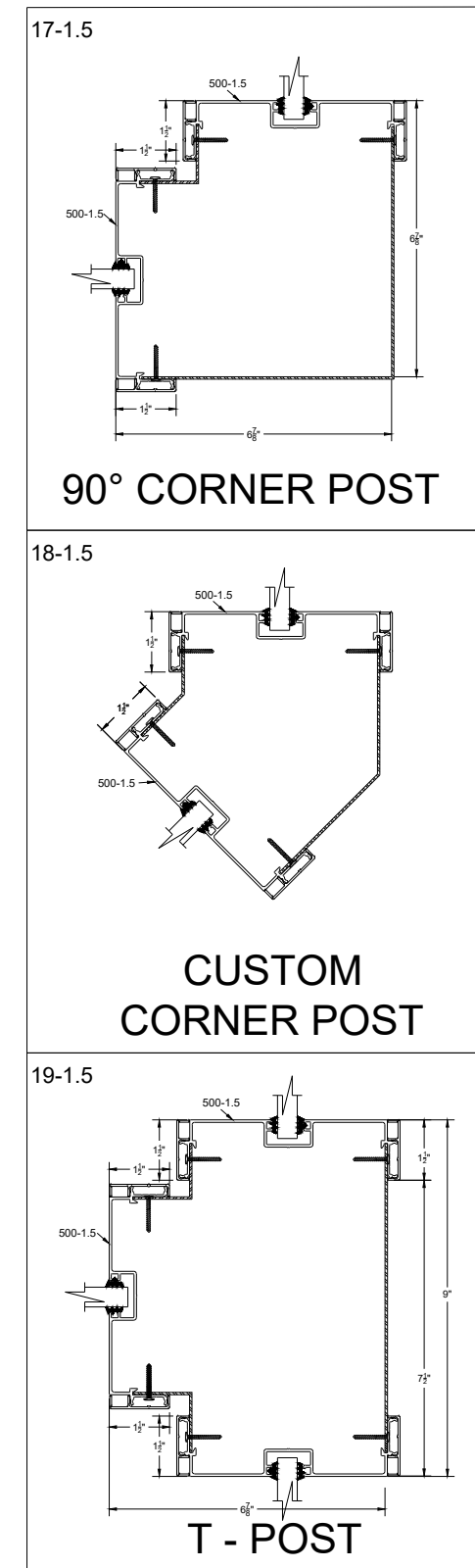
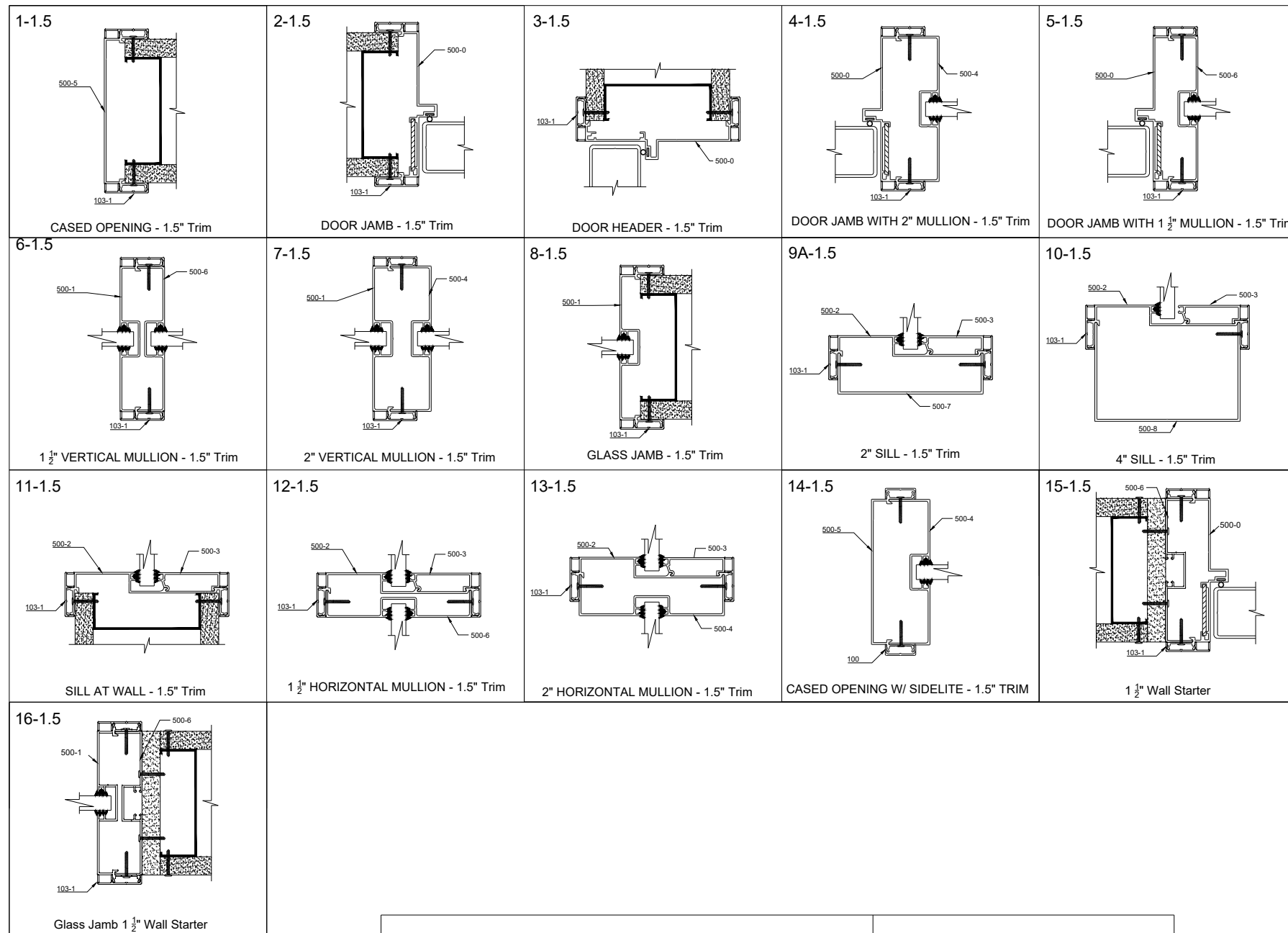
OMEGA 500 1" Trim



SPECIAL-LITE, INC.
 860 South Williams Street
 DECATUR, MI 49045
 special-lite.com

DRAWN BY: BAS		500 Series OMEGA		DATE: 08/10/2024	SHEET NO. 2 OF 5	FILE: 500 Series OMEGA Details.dwg
REVISION						
A	8/10/24	C				
B		D				

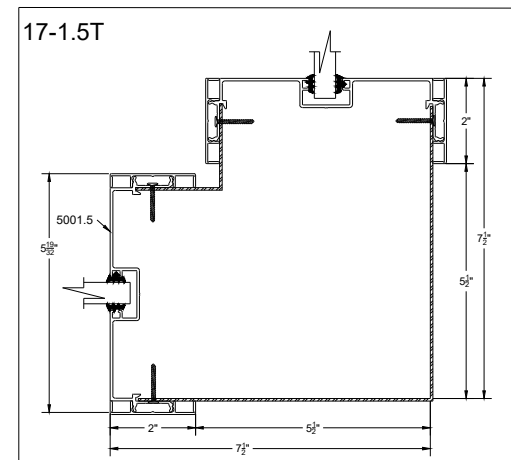
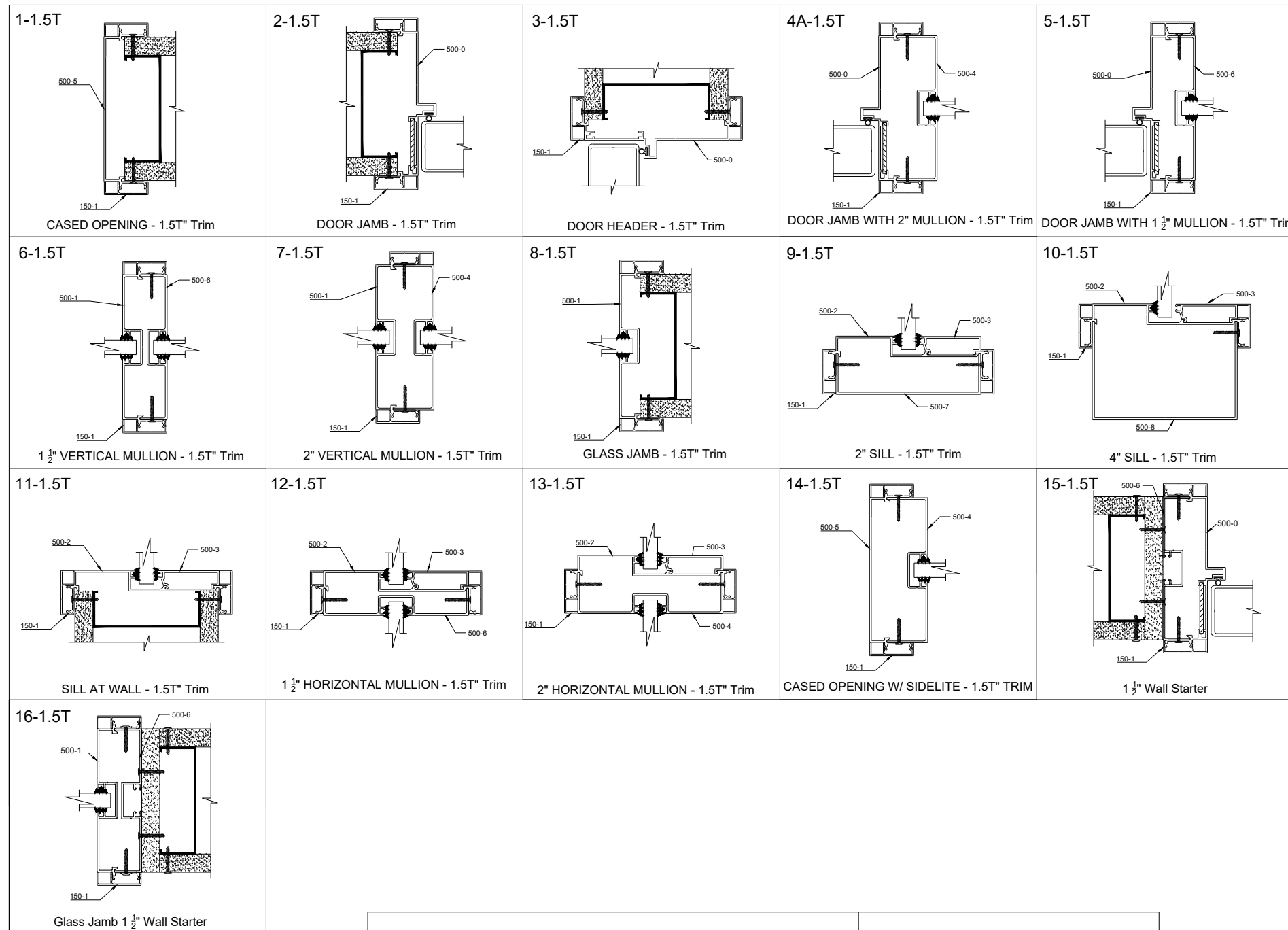
OMEGA 500 1.5" Trim



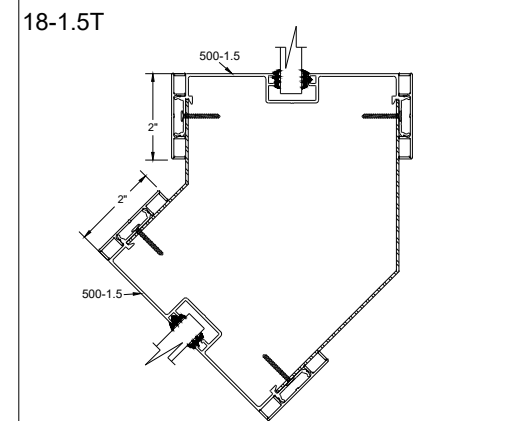
SPECIAL-LITE, INC.
 860 South Williams Street
 DECATUR, MI 49045
 special-lite.com

DRAWN BY: BAS		500 Series OMEGA		
REVISION				
A	8/10/24	C	DATE: 08/10/2024	SHEET NO. 3 OF 5
B		D		FILE: 500 Series OMEGA Details.dwg

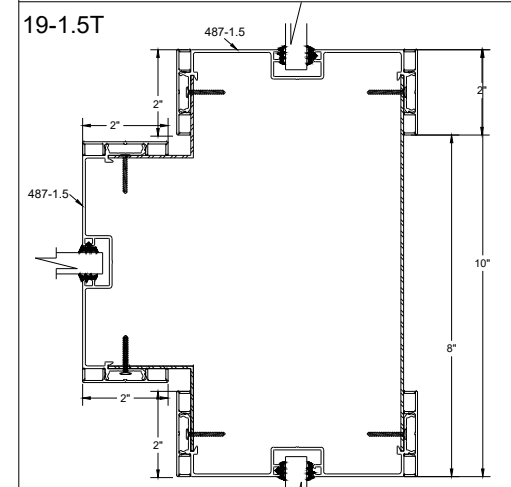
OMEGA 500 1.5T" Trim



90° CORNER POST



CUSTOM CORNER POST



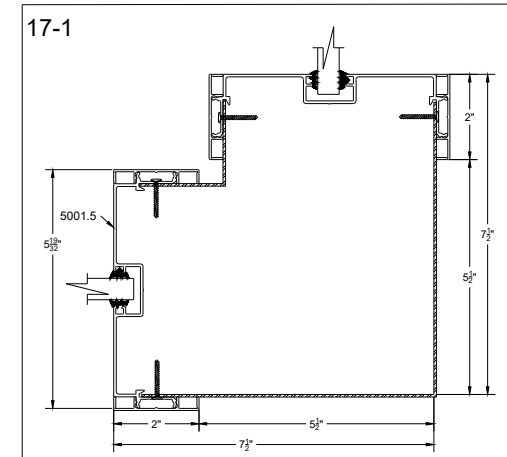
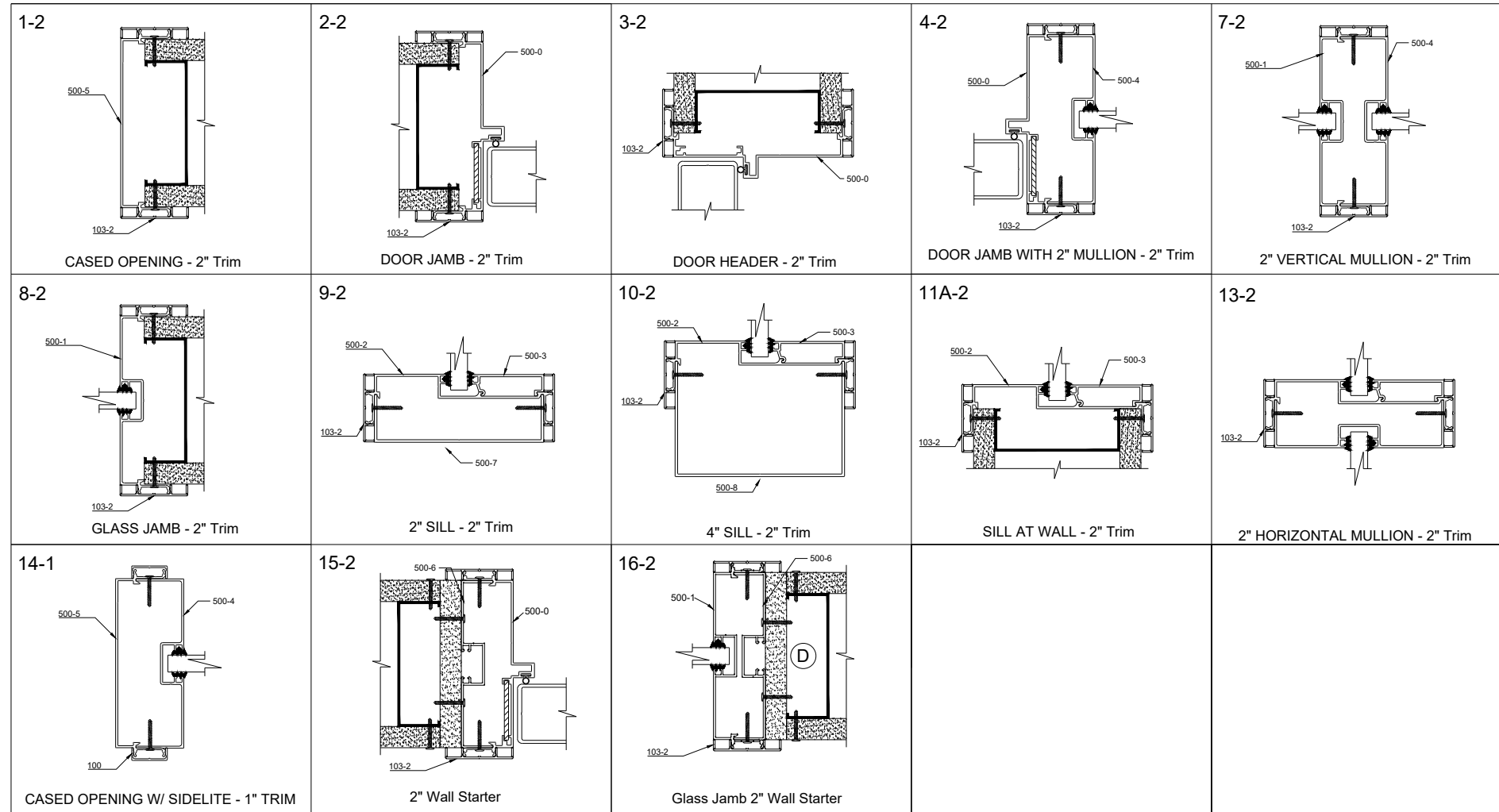
T - POST



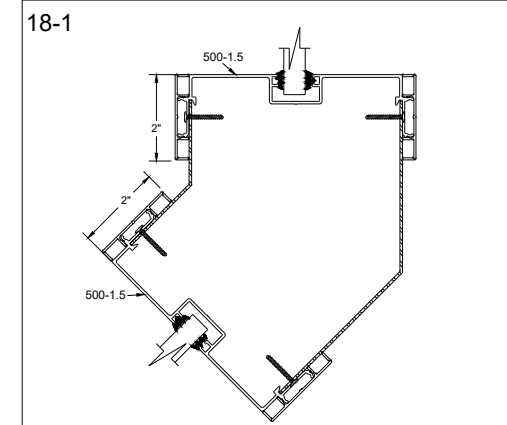
SPECIAL-LITE, INC.
860 South Williams Street
DECATUR, MI 49045
special-lite.com

DRAWN BY: BAS		500 Series OMEGA	
REVISION			
A	8/10/24	C	
B		D	
DATE: 08/10/2024		SHEET NO. 4 OF 5	
FILE: 500 Series OMEGA Details.dwg			

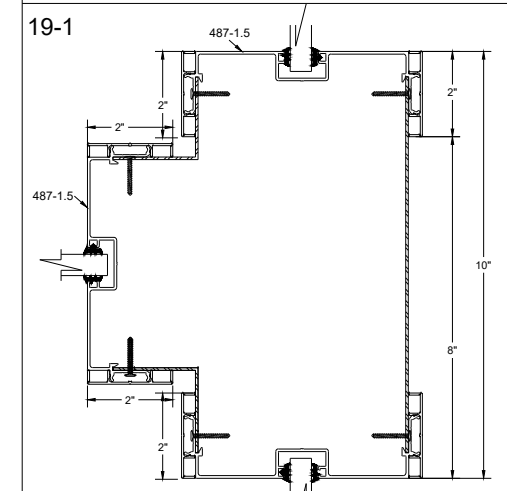
OMEGA 500 2" Trim



90° CORNER POST



CUSTOM CORNER POST



T - POST



SPECIAL-LITE, INC.
860 South Williams Street
DECATUR, MI 49045
special-lite.com

DRAWN BY: BAS		500 Series OMEGA		DATE: 08/10/2024		SHEET NO. 5 OF 5		FILE: 500 Series OMEGA Details.dwg	
REVISION									
A	8/10/24	C							
B		D							