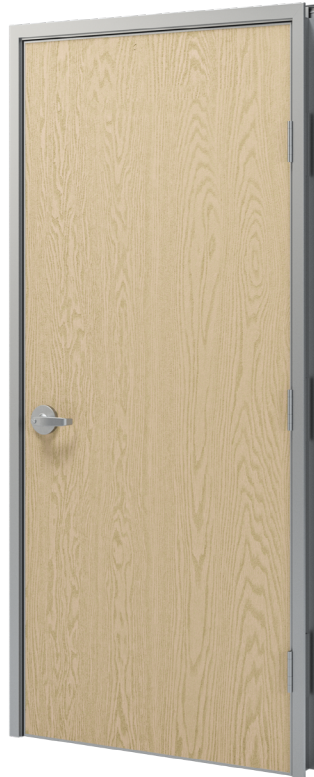


FlexFit™ Field-Adjustable Interior Aluminum Door Frame Installation Instructions



Please read all design guidelines and instructions before beginning installation. Diagrams for each project are emailed to the Project Manager who places the order.

These instructions are provided to help prevent installation problems caused by most common errors. They are strictly recommendations and are not intended to be a step-by-step, foolproof installation checklist suitable for every situation. There are many variations of installations not covered in these instructions that Special-Lite assumes are general construction knowledge to an experienced installer.

WARNING: Failure to follow good practice in installation will void the warranty on Special-Lite products. Selection of an experienced installer is the sole responsibility of the project owner.

Questions? Call 1-800-821-6531 and ask for a Special-Lite Customer Service Representative.

You can find these and other Installation Instructions on Special-Lite's website at special-lite.com/installation-instructions.

Table of Contents:



Section	Page No.
Rough Opening and Blocking Requirements; Flooring Guidelines	<u>3</u>
Recommended Tools	<u>4</u>
Handing Chart	<u>4</u>
Parts List	<u>5</u>
Fasteners	<u>6</u>
Knock Down Frame Assembly	<u>7</u>
Installation: FlexFit Field-Adjustable Interior Aluminum Door Frame	<u>17</u>
Troubleshooting Guide	<u>26</u>

Rough Opening Requirements and Wood Blocking Detail:



Before Beginning Installation:

- Check that the rough opening height and width measurements match approved project drawings.
- Ensure that the drywall is trimmed flush to the studs in the opening.
- Check that walls are plumb and square.
- Verify that the wall thickness is appropriate for the jamb range of the frame.

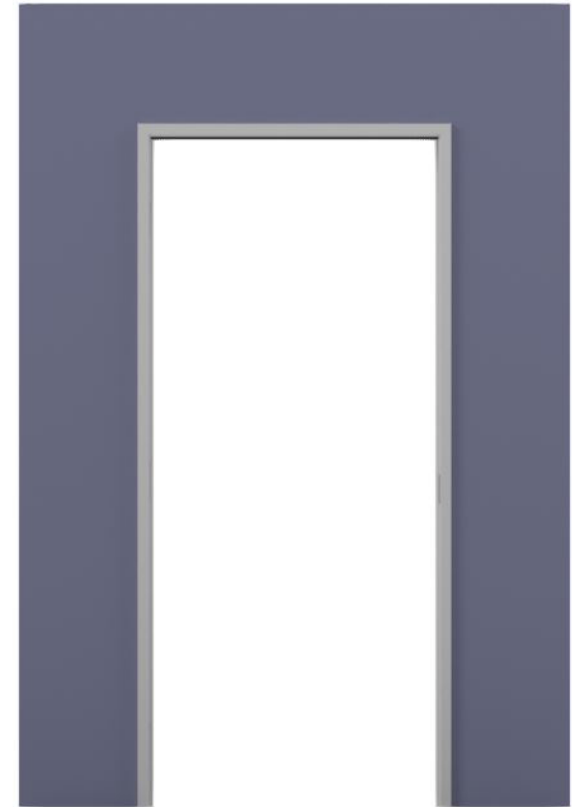
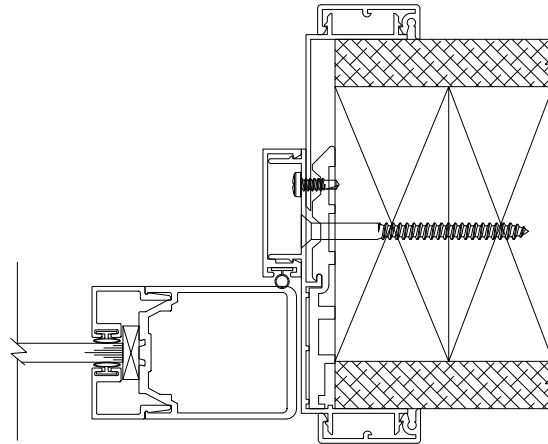
Flooring:

Installing frames after flooring is finished is preferred.

In cases where frames need to be installed before finished flooring (i.e. Vinyl Flooring covered up wall), frames will need to be shimmed to account for the finished flooring thickness.

Wall Depths:

S	4" to 5"
M	5" to 6"
XL	5-1/2" to 6-1/2"
XXL	6-1/2" to 7-1/2"



Recommended Tools:

- 3' Level
- Screw Gun and Drill
- #1 Drill Bit
- Rubber Mallet and Wood Block
- Two 12" Clamps
- Ladder
- Tape Measure

Handing Chart:



Parts List:



Adjustable Jamb



Adjustable S Jamb
OM-003



Adjustable M Jamb
OM-010

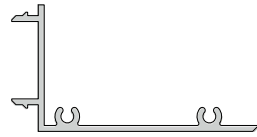


Adjustable XL Jamb
OM-004

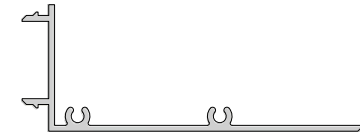


Adjustable XXL Jamb
OM-013

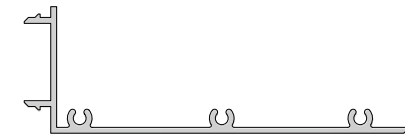
Adjustable Headers



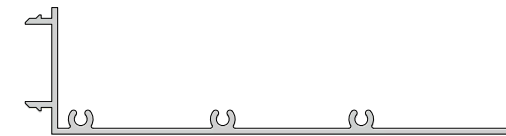
Adjustable S Header
OM-001



Adjustable M Header
OM-011



Adjustable XL Header
OM-002

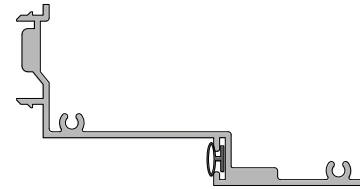


Adjustable XXL Header
OM-014

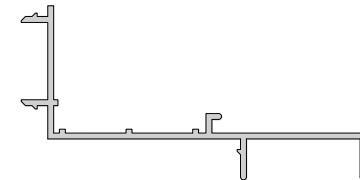


Reinforcement
OM-009

Fixed Half



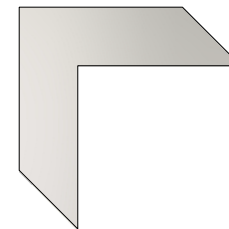
Fixed Header
OM-005



Fixed Jamb
OM-006

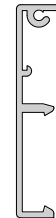


Door Stop
OM-007

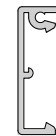


Corner Clip

Trim

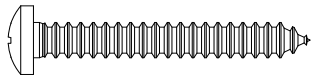


2.25" Trim
OM-012

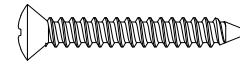


1.35" Trim
OM-008

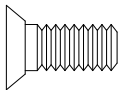
Fastener List:



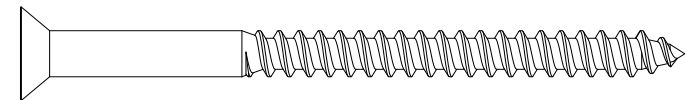
Jamb Header Screw
SL-SC-09
#8-14 X 1-1/4" Philips Head Pan Screw



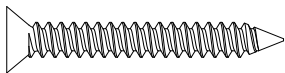
Trim Screw
SL-SC-184
#6 X 1" SS Philips Head Oval Screw



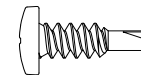
Hinge Screw
SL-SC-26
#12-24 X 1/2" Philips U/C



Anchor
SL-SC-185
#12 X 3" SS Philips Wood Screw

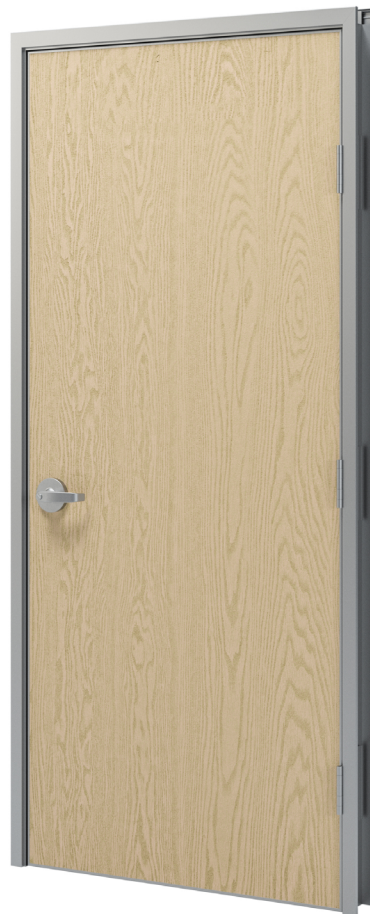


Jamb Header Screw
SL-SC-183
#8 X 1-1/4" Philips Head Flat Screw



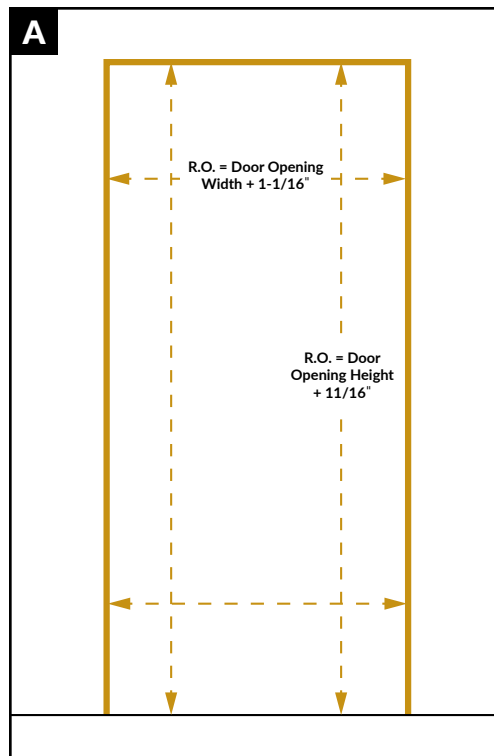
Jamb Screw
SL-SC-186
#8 X 1/2" Self Drilling Philips Pan Head Screw

Knock Down Frame Assembly



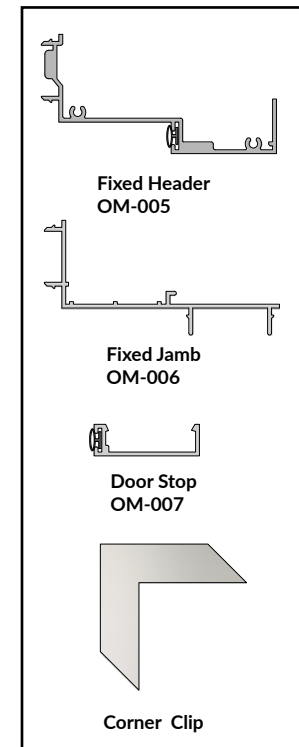
STEP 1 Verify the opening and unbox the frame.

- A. Measure the Rough Opening (R.O.) to check that the opening is plumb and the width and height match the order and/or project drawings. Dimensions should be within $\pm 1/8$ ".
- B. If the frame was purchased assembled, skip ahead to Installing the Frame on [pg 17](#).
- C. Separate the parts labeled "Fixed Half" and "Adjustable Half".



STEP 2 Assemble the Fixed Half.

- A. The Fixed Jamb is prepped on the top to match with the header and have two holes and a notch.
- B. Make sure that the vinyl or mohair is in the doorstop of the Header; if it has fallen out be sure to re-insert it.

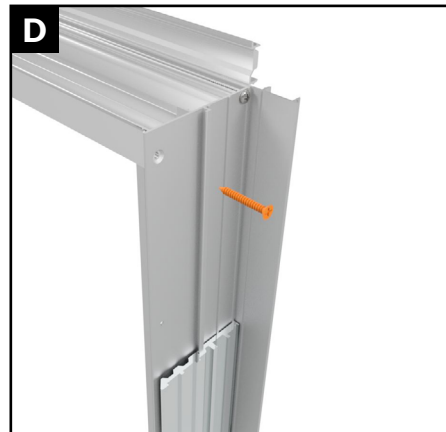
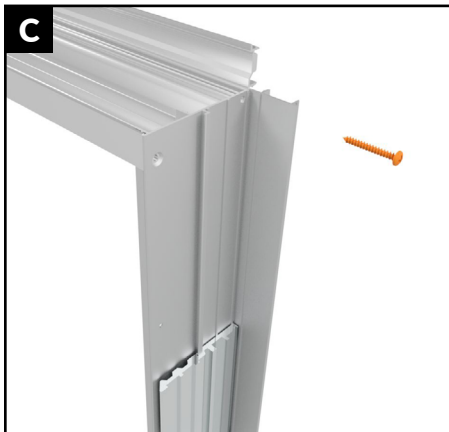


STEP**2**

CONT.

Assemble the Fixed Half.

- C. Slide the Header into the top of the Hinge Jamb. The Trim snaps should face toward the outside of the frame. Insert a Jamb Header Screw #8 x 1-1/4" Phillips Pan Head (SL-SC-09) into the non-countersunk hole. Drive the screw into the screw spline of the Header until it is tight. Lightly lubricate the screw to ease installation.
- D. Next, insert a Jamb Header Screw #8 x 1-1/4" Phillips Flat Head (SL-SC-183) into the countersunk hole. Drive the screw into the screw spline of the Header until it is tight.
- E. Repeat these steps for the Lock Jamb.



STEP 3

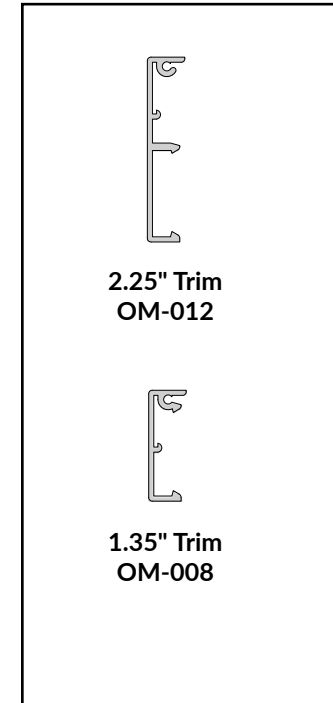
Install the Fixed Half Trim.

- A. Take the Header Trim for the Fixed Half and snap it onto the Header Trim Channel. It is easiest to get the outer side on, then use a rubber mallet and wood block to get the interior side to snap on.



CAUTION!

The Adjustable and Fixed Half Trim are **not** reversible, although they look very similar. Follow the labels on the parts to ensure proper installation.

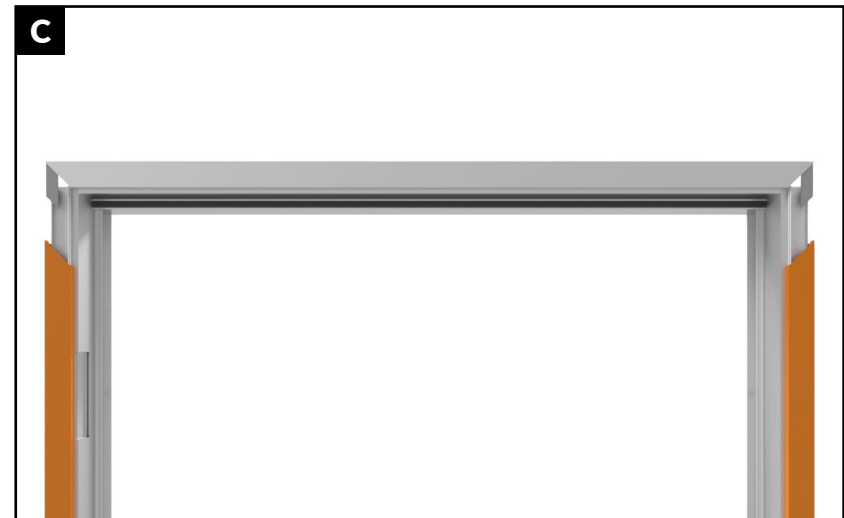
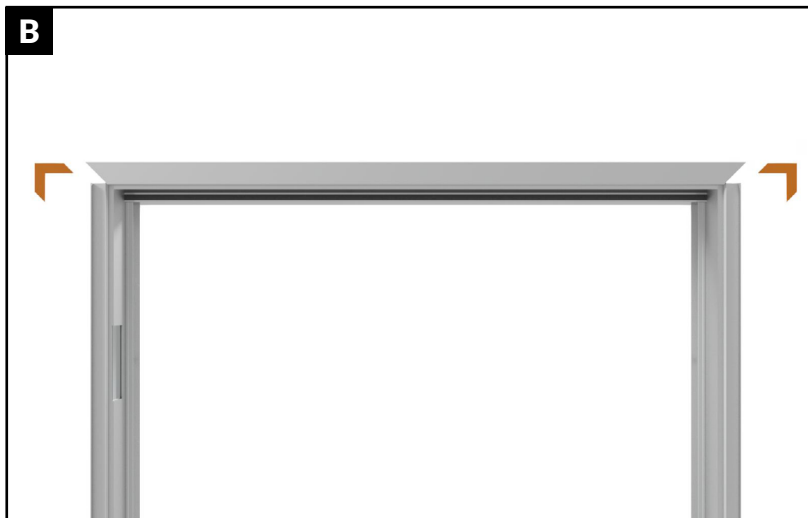


STEP**3**

CONT.

Install the Fixed Half Trim.

- B. Insert a Trim Corner Clip (PT-22-2000) into each end of the reinforcement channel of the Fixed Header Trim.
- C. Slide the Fixed Hinge Jamb Trim onto the Fixed Jamb Trim Channel. Align the Trim Corner Clip (PT-22-2000) and slide the Trim on the rest of the way until the seam is tight with the Header Trim. Use a rubber mallet and wood block if necessary.



STEP**3**

CONT.

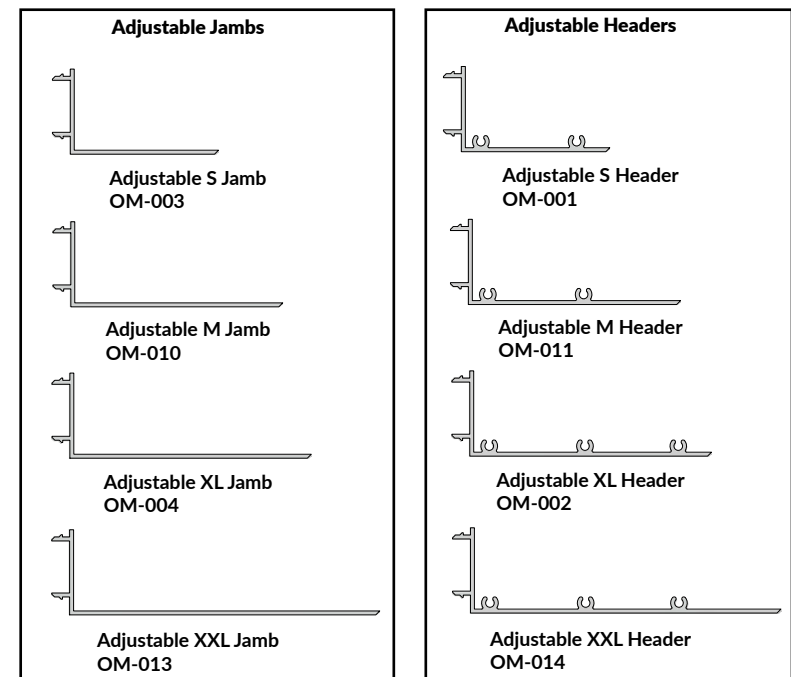
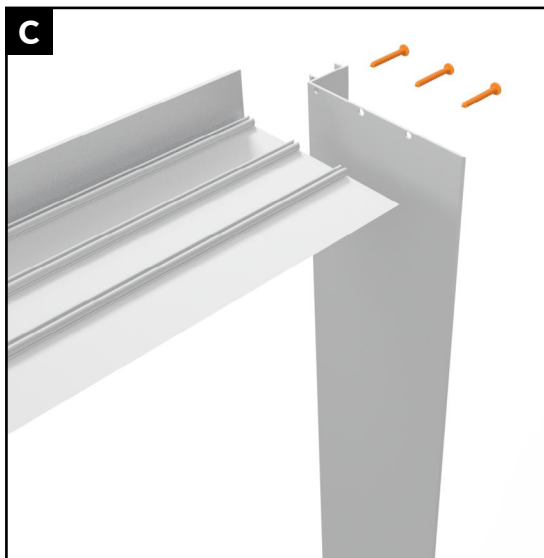
Install the Fixed Half Trim.

- D. Insert a Trim Screw #6 x 1" Phillips Oval Head (SL-SC-184) through the pre-drilled hole in the Fixed Header Trim and drive it into the screw spline of the Fixed Hinge Jamb Trim. Lightly lubricate the screw to ease installation.
- E. Repeat these steps for the Fixed Lock Jamb Trim.



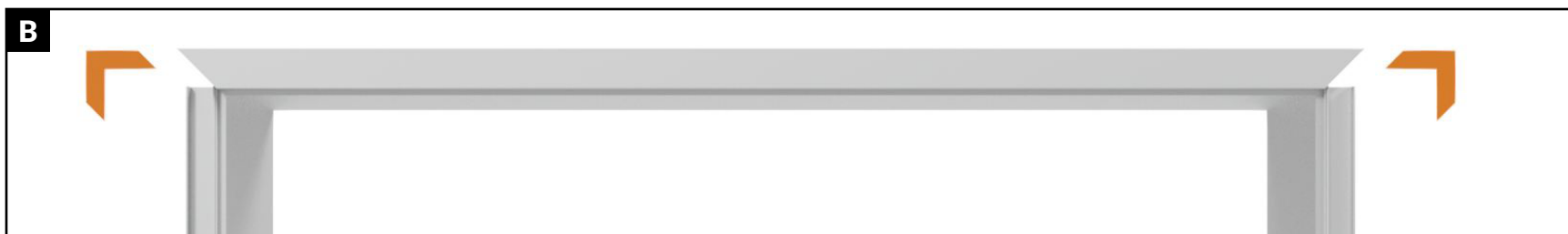
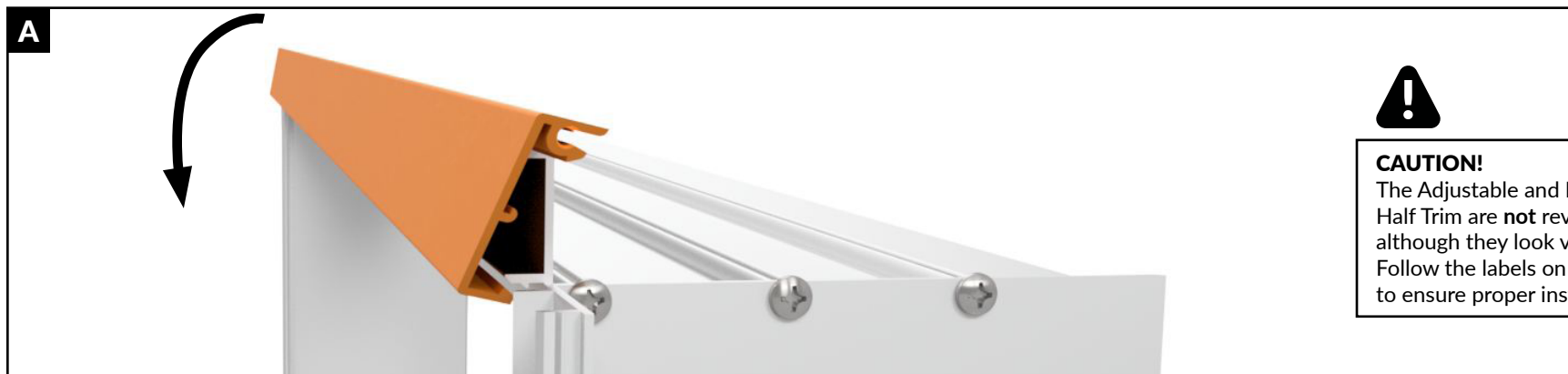
STEP 4 Assemble the Adjustable Half.

- A. Locate the Adjustable Jamb and Adjustable Header.
- B. The Hinge and Lock Jambs are prepped for the Header attachment at the top of the Jambs with either 2 or 3 holes depending on the throat opening of the frame.
- C. Line up the top of the Adjustable Hinge Jamb and the Adjustable Header. Insert Jamb Header Screws #8 x 1-1/4" Phillips Pan Head (SL-SC-09) into each of the prepped holes and into the corresponding screw splines in the Adjustable Header. Lightly lubricate the screw to ease installation.
- D. Repeat these steps for the Adjustable Lock Jamb.



STEP 5 Install the Adjustable Half Trim.

- A. Take the Header Trim for the Adjustable Half and snap it onto the Header Trim Channel. It is easiest to get the outer side on, then use a rubber mallet and wood block to get the interior side to snap on.
- B. Insert a Trim Corner Clip (PT-22-2000) into each end of the reinforcement channel of the Adjustable Header Trim.

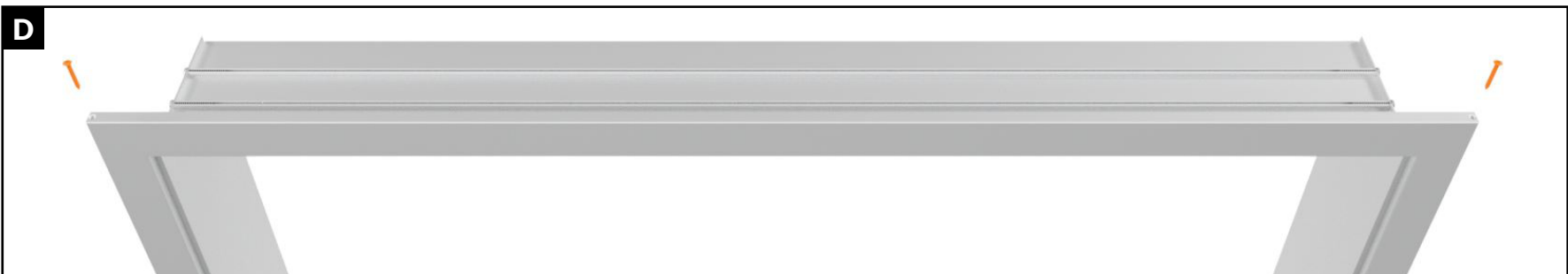
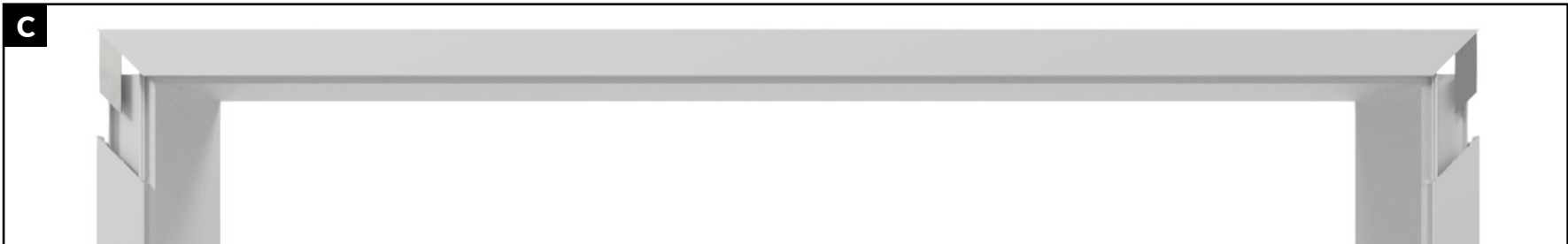


STEP**5**

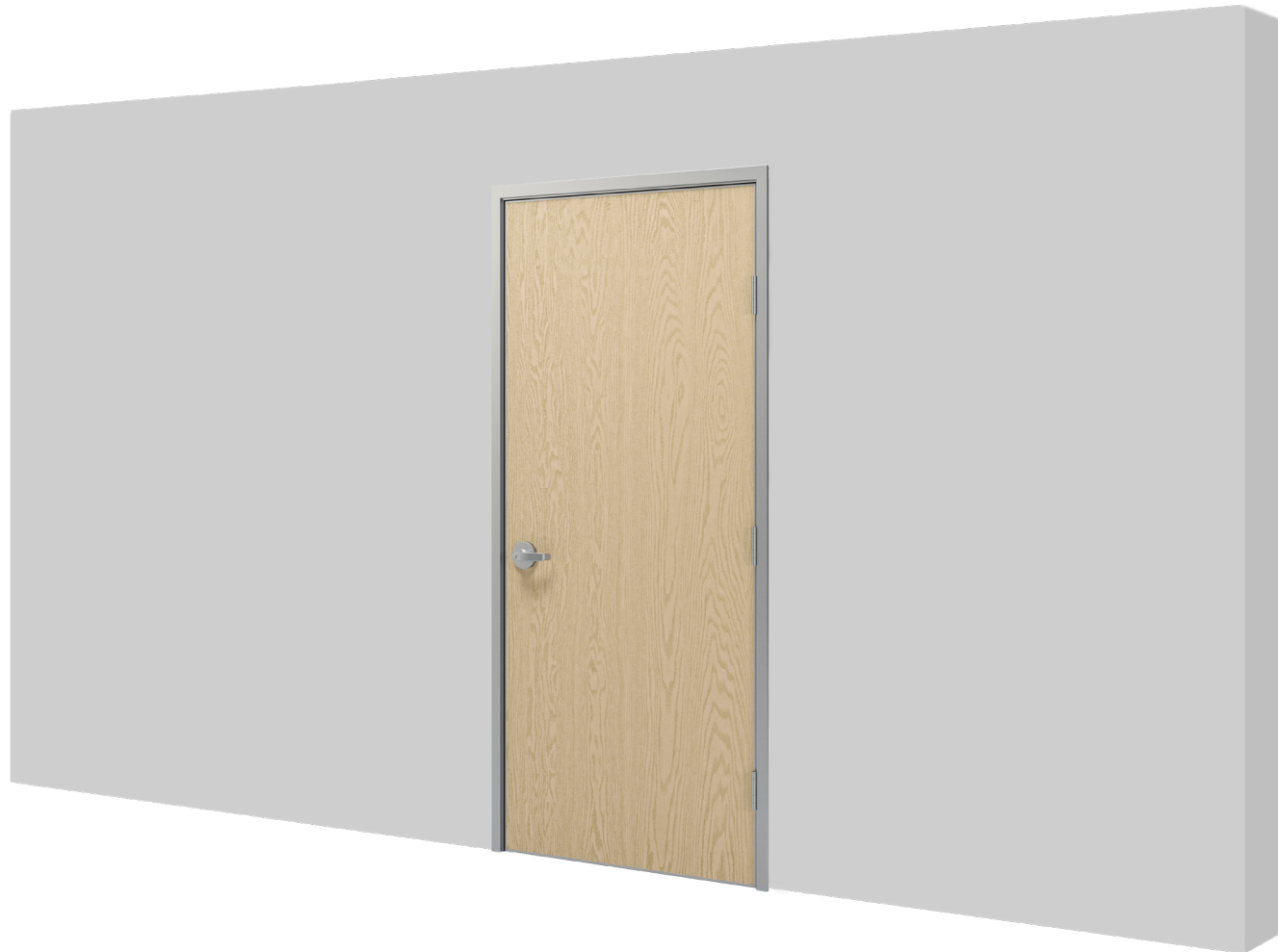
CONT.

Install the Adjustable Half Trim.

- C. Slide the Adjustable Hinge Jamb Trim onto the Adjustable Jamb Trim Channel. Align the Trim Corner Clip (PT-22-2000) and slide the Trim on the rest of the way until the seam is tight with the Header Trim. Use a rubber mallet and wood block if necessary.
- D. Use a Trim Screw #6 x 1" Phillips Oval Head (SL-SC-184) and insert it into the pre-drilled hole in the Adjustable Header Trim, drive the screw into the screw spline of the Adjustable Hinge Jamb Trim. Lightly lubricate the screw to ease installation.
- E. Repeat these steps for the Adjustable Lock Jamb Trim.

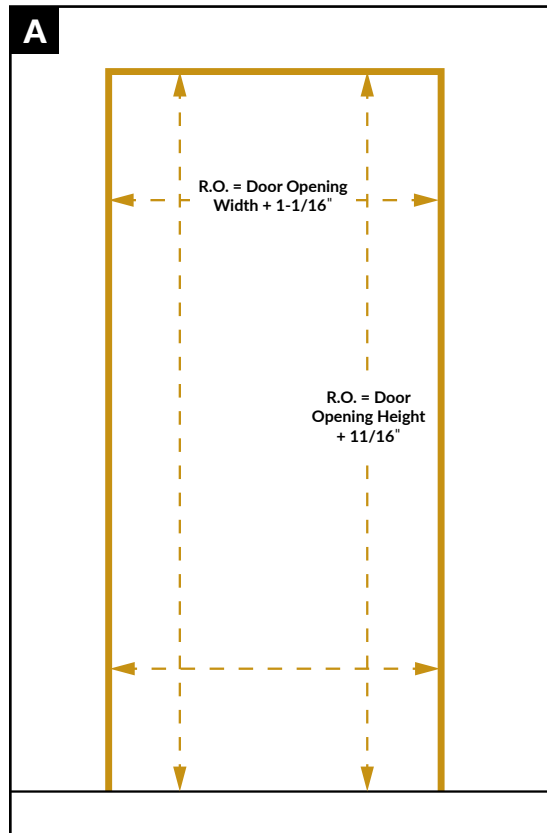


Installation: FlexFit Field-Adjustable Interior Aluminum Door Frame



STEP 1 Verify size.

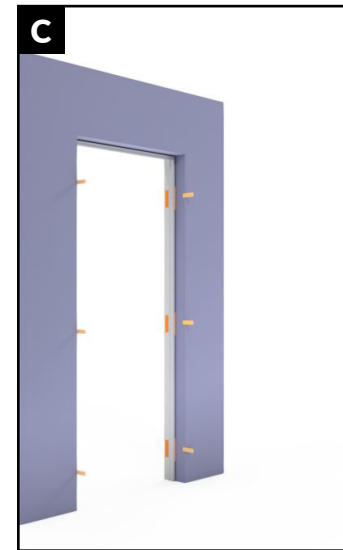
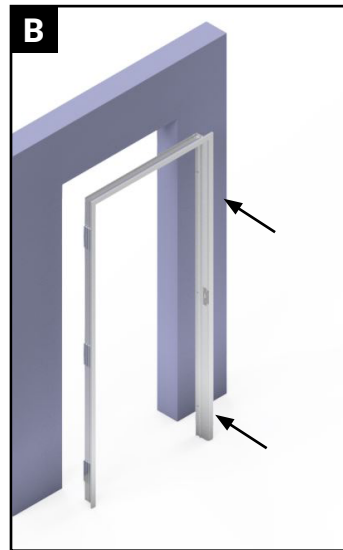
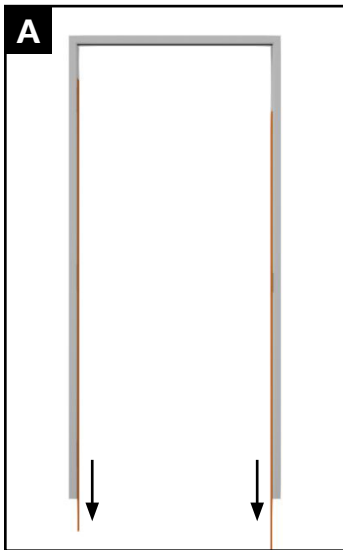
- A. Verify that the frame is sized appropriately to fit the rough opening as well as the door. Check these dimensions on the Fixed Half of the frame.



STEP 2

Install the Fixed Half into rough opening.

- A. Remove the Door Stop from the Hinge and Strike Jambs by sliding it off from the bottom. Set it aside.
- B. Slide the Fixed Frame Half assembly into the rough opening, ensuring it is plumb before proceeding.
- C. Add the supplied shims to the reinforcement areas of the frame to achieve plumb conditions.
To affix shims during assembly, apply wax or caulk to the wood surface side of the shim. Trim the shims to the wall depth before proceeding.



STEP 3

Install the Adjustable Half into the RO.

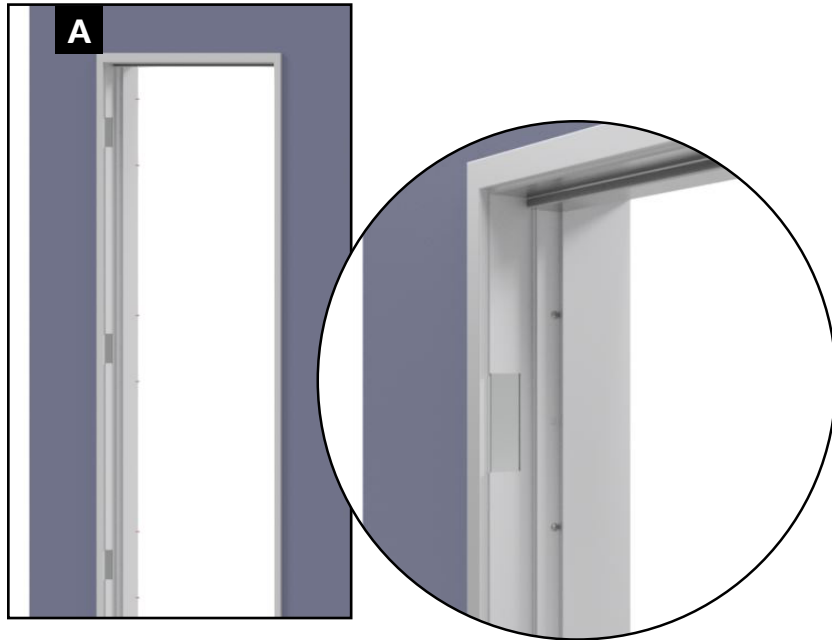
- A. Slide the Adjustable Half into the slot between the Fixed Half and the reinforcements.
- B. Clamp the frame in place to secure the two halves together.
- C. Check that the frame is plumb.



STEP 4

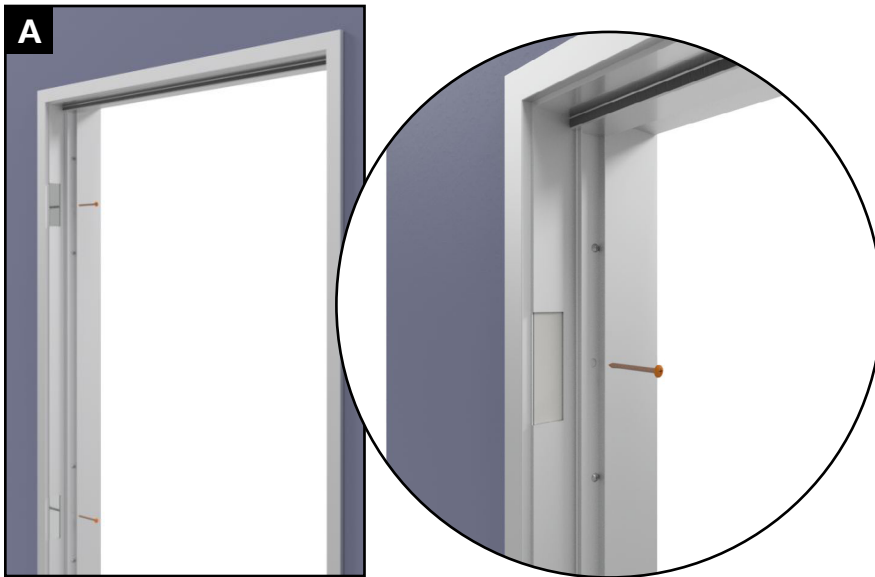
Join the two frame halves together.

- A. Locate the two pre-drilled (1/8") holes in the Door Stop channel above and below all reinforcement locations.
- B. Join the frame halves by securing with the provided Jamb Screws #8 x 1/2" (SL-SC-186), using 2 screws per reinforcement location.
- C. Check that the frame is plumb.
- D. Verify the door opening at the top, middle, and bottom.



STEP 5 Anchor the frame.

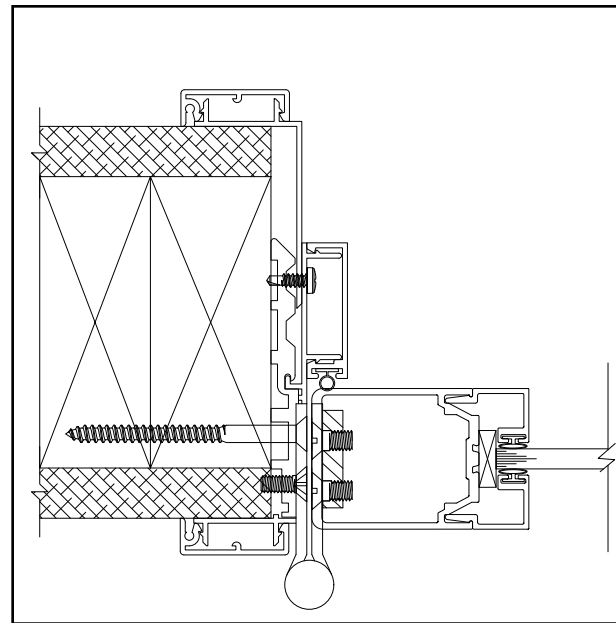
- A. Locate the pre-drilled (3/8") holes between the Door Stop at each reinforcement location.
- B. Drill through the reinforcement with a #1 drill at each location.
NOTE: Make sure to only go through the reinforcement, don't drill into the stud.
- C. Use the provided Anchor fasteners #12-11 x 3" (SL-SC-185) to anchor the frame at each reinforcement location on both the Hinge and Lock Jambs.
- D. Check that the frame is plumb.
- E. Verify the door opening at the top, middle, and bottom.



STEP 6 Install the door.

- A. With the hinges installed on the door, mount the hinges to the hinge jamb using two Hinge Screws #12-24 x 1/2" (SL-SC-26) at each prep location.
- B. Secure the door to the studs through the hinge jamb using two Anchor Screws #12-11 x 3" (SL-SC-185) at each prep location.
- C. Mount the strike to the jamb as recommended by the strike manufacturers installation instructions.
(Strikes are prepped for #12-24 x 1/2" fasteners)

NOTE: Hinges are applied to the door from the factory. Each hinge prep in the jamb uses two types of fasteners as shown below.



STEP 7 Mount the Door Stop.

- A. Ensure the vinyl or mohair is still in the Door Stops. Re-insert it if it has been removed.
- B. Locate the Door Stops and apply them to the Hinge and Strike Jambes using a wood block and rubber mallet.



STEP
8

Clean up the seams.

- A. If needed, caulk seams to eliminate any gapping due to variations of door rough opening.

Troubleshooting Guide

While our solutions are crafted with precision and built to withstand the demands of various environments, we understand that field conditions can introduce complexity. This guide is designed to address issues that may arise during installation, particularly those related to floor and wall conditions. Questions? Call 1-800-821-6531 and ask for a Special-Lite Customer Service Representative.

Issue Description	Possible Cause	Troubleshooting Steps
Door is binding when closed.	Frame is not installed plumb and square.	Check the frame and make sure it is plumb. If it is not plumb, unhang the door and correct the frame so that it is installed plumb and square.
	Frame is not anchored properly and sagging.	Check the frame anchors to make sure they are tight and are holding. If they are loose, tighten them. If they are stripping out of the studs a new anchor location will need to be used.
	Uneven floor conditions.	A shim may be necessary under one of the jambs to maintain a square header.
	Door is not sized properly.	Check the door sizes and hardware locations. Make sure you have the correct size door for the opening.
Door and frame have uneven reveal.	Frame is not installed plumb and square.	Check the frame and make sure it is plumb. If it is not plumb, unhang the door and correct the frame so that it is installed plumb and square.
	Frame is not anchored properly and sagging.	Check the frame anchors to make sure they are tight and are holding. If they are loose, tighten them. If they are stripping out of the studs a new anchor location will need to be used.
	Uneven floor conditions.	A shim may be necessary under one of the jambs to maintain a square header.
	Door is not sized properly.	Check the door sizes and hardware locations. Make sure you have the correct size door for the opening.
Gaps are present between the frame trim and drywall.	Walls not perfectly square or flat.	Caulking the frame to eliminate gaps is considered normal installation.
	Fixed half and adjustable half of frame were not tightened up.	Uninstall the frame. Using clamps be sure that you get the adjustable and fixed half tight before anchoring to help reduce gaps.

Questions? Please call 1-800-821-6531 and ask for a Special-Lite Customer Service Representative.