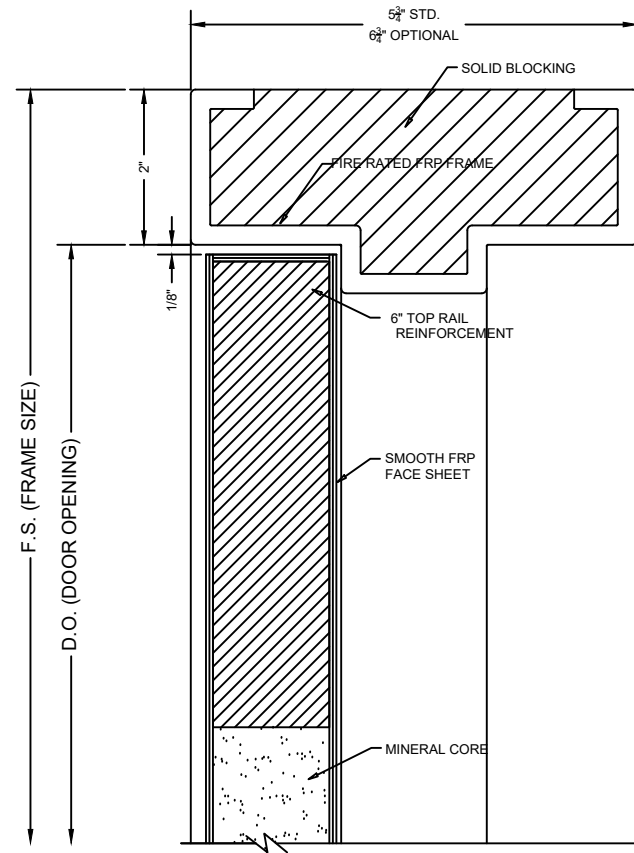
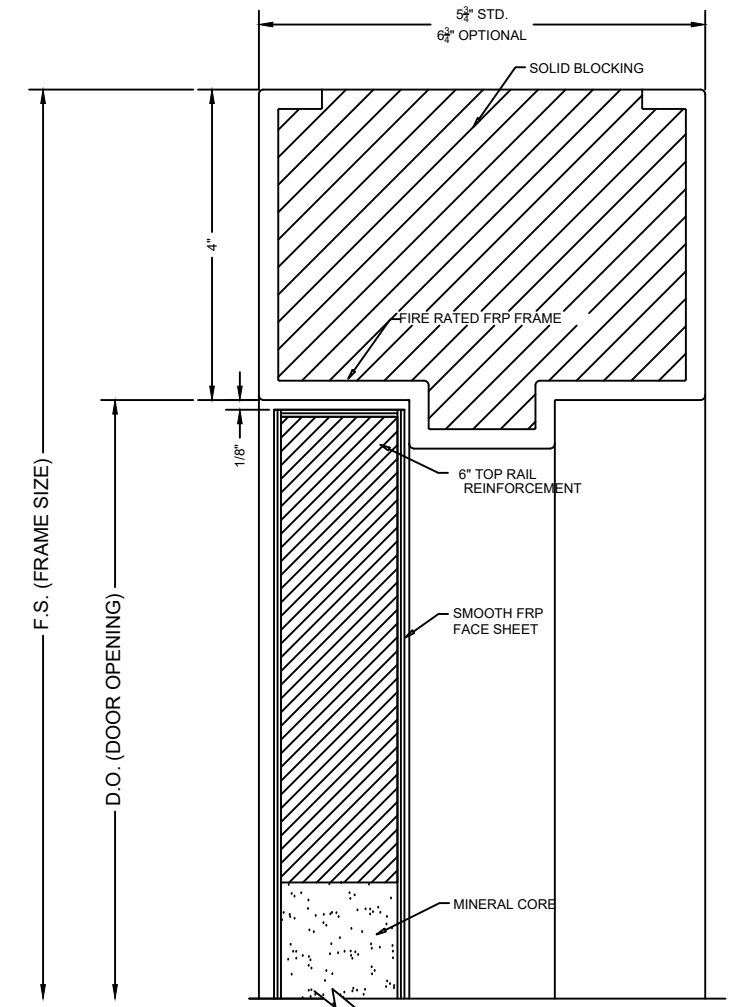


BUTT HINGE DETAIL

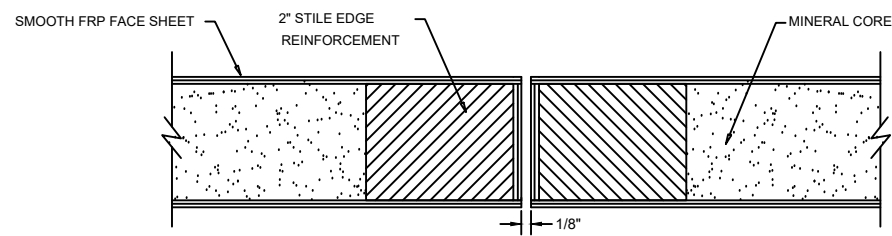
LOCK JAMB DETAIL



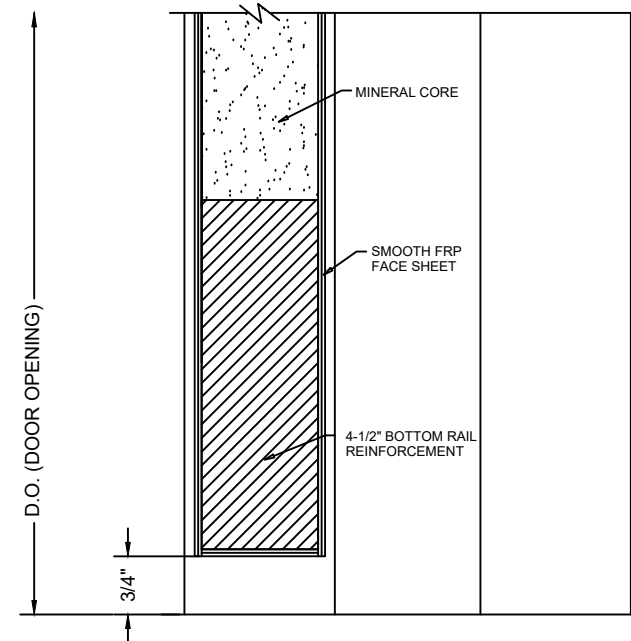
DOOR HEAD DETAIL



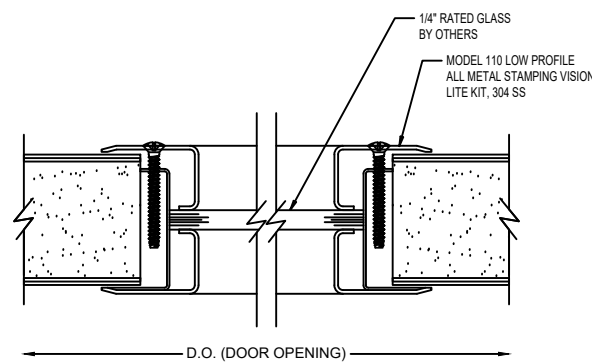
DOOR HEAD DETAIL
OPTIONAL 4" HEAD



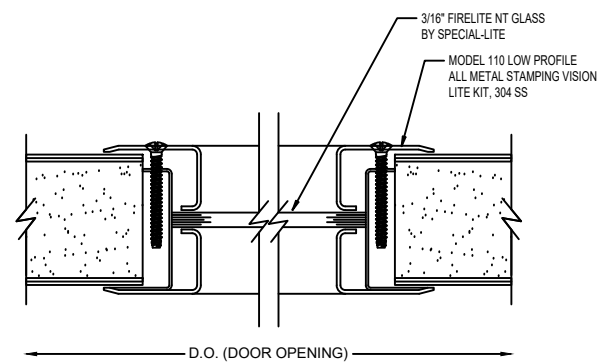
MEETING STILE EDGES OF PAIR




SILL DETAIL



VISION LITE KIT DETAIL 1/4" GLASS



VISION LITE KIT DETAIL 3/16" GLASS

		SPECIAL-LITE, INC. 860 South Williams Street P.O. BOX 6 DECATUR, MI 49045 WWW.SPECIAL-LITE.COM	
		DRAWN BY: JMM REVISION:	AF-200FR SMOOTH ALL-FIBERGLASS DOOR
A 4/27/17 B 5/30/17	C 1/25/19 D	DATE: 5/30/2017	SHEET NO. 1 OF 1
		FILE:FR20_45_80_90DETAILS.dwg	