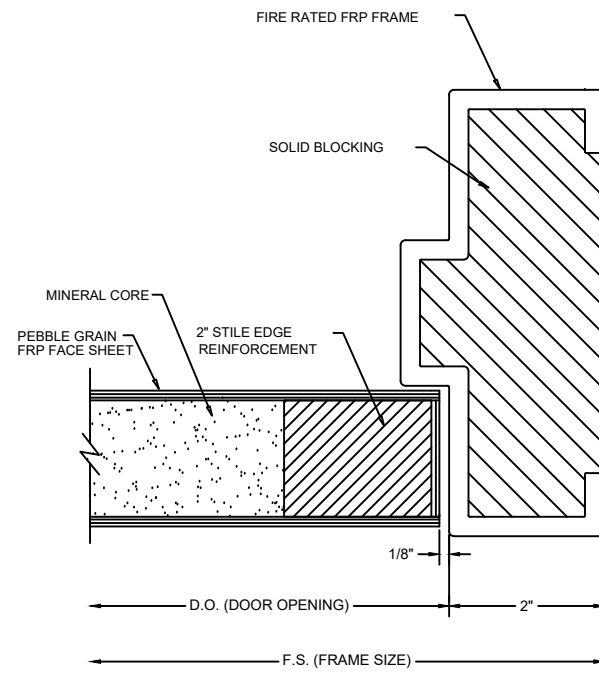
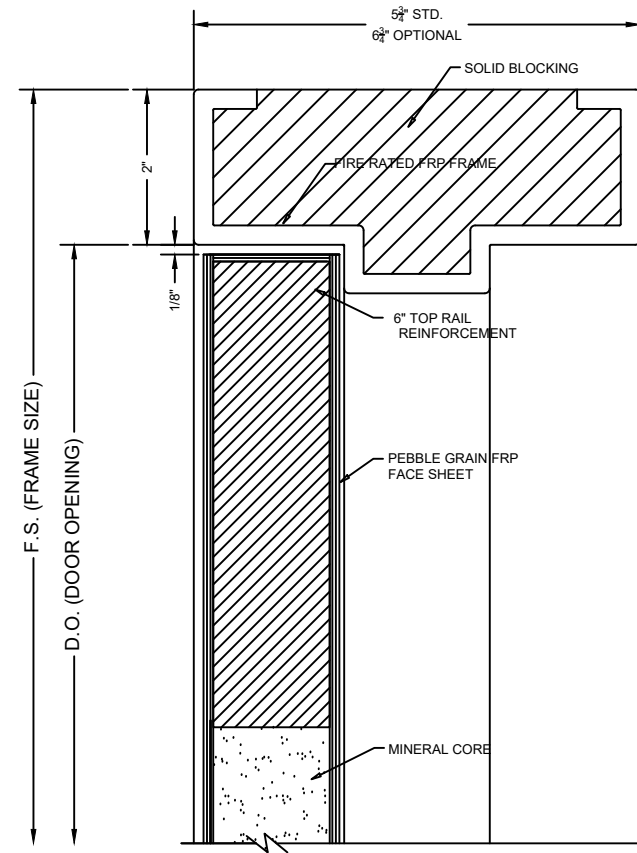


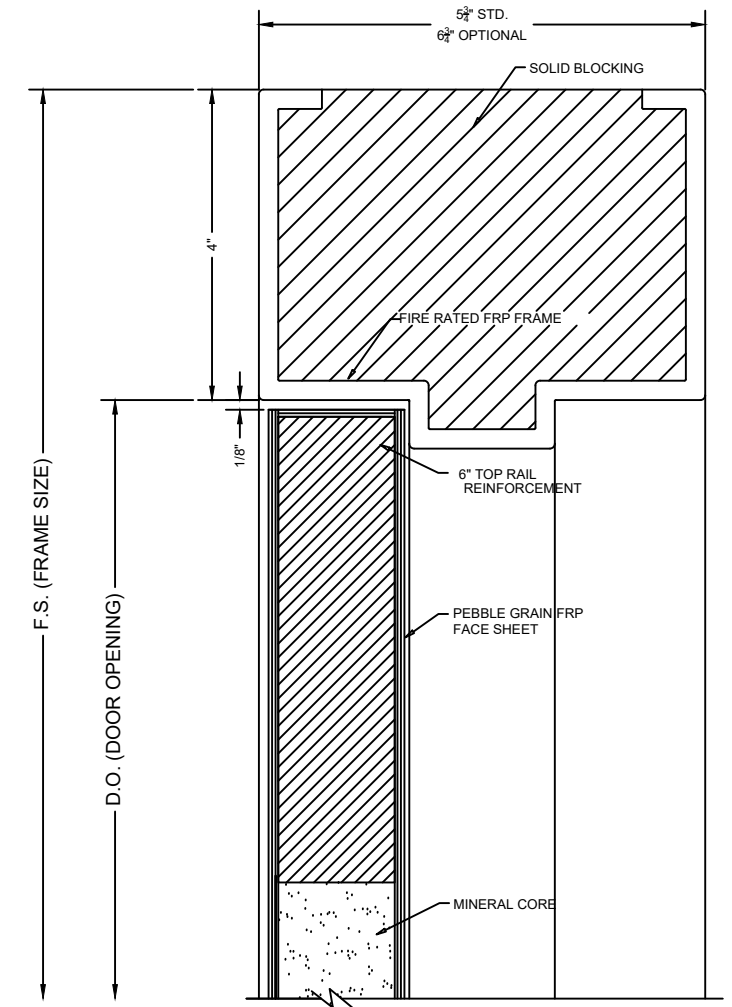
BUTT HINGE DETAIL



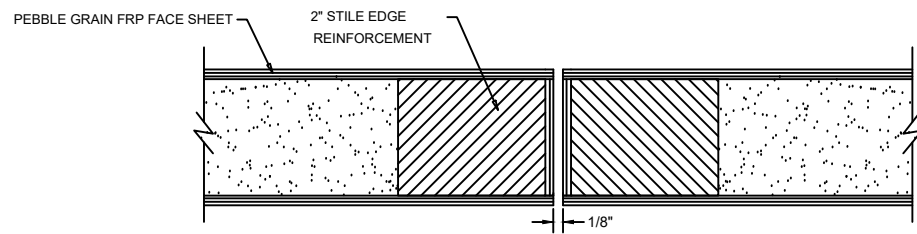
LOCK JAMB DETAIL



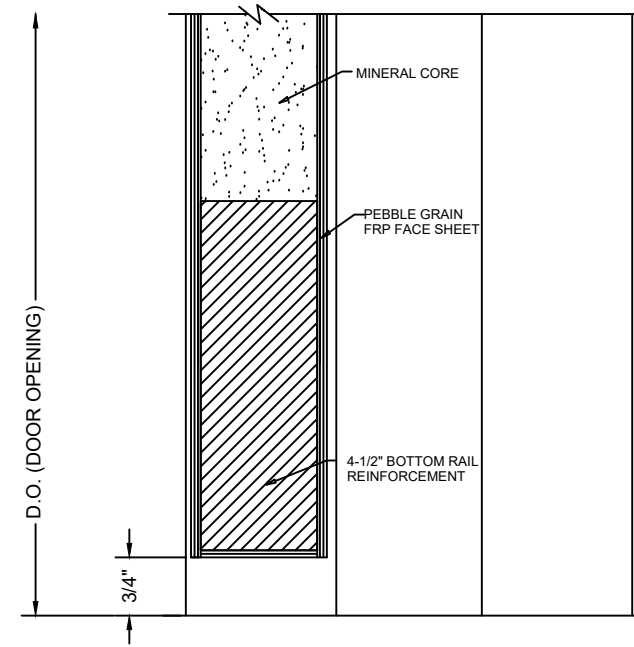
DOOR HEAD DETAIL



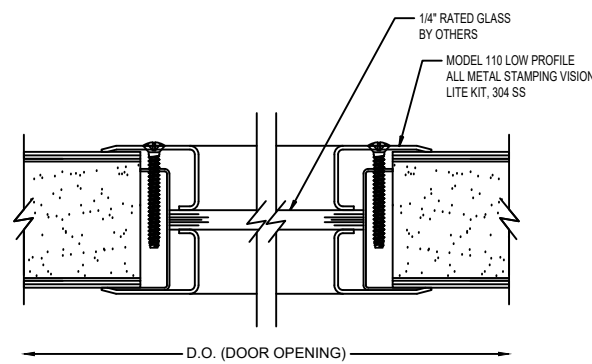
DOOR HEAD DETAIL  
OPTIONAL 4" HEAD



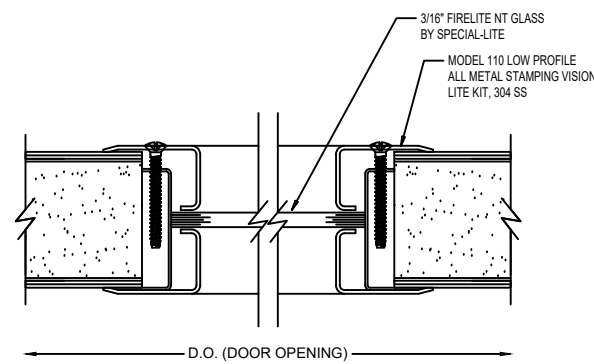
MEETING STILE EDGES OF PAIR



SILL DETAIL



VISION LITE KIT DETAIL 1/4" GLASS



VISION LITE KIT DETAIL 3/16" GLASS

		<b>SPECIAL-LITE, INC.</b> 860 South Williams Street P.O. BOX 6 DECATUR, MI 48045 WWW.SPECIAL-LITE.COM	
		DRAWN BY: JMM REVISION: A 4/27/17 C 1/25/19 B 5/30/17 D	DATE: 5/30/2017 SHEET NO. 1 OF 1 FILE: FRP_DP_SPC135.dwg