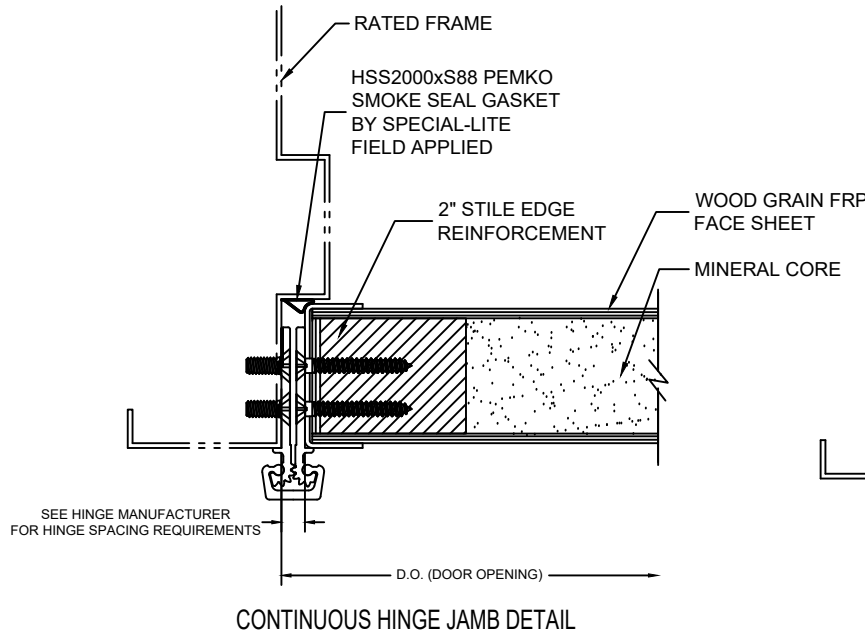
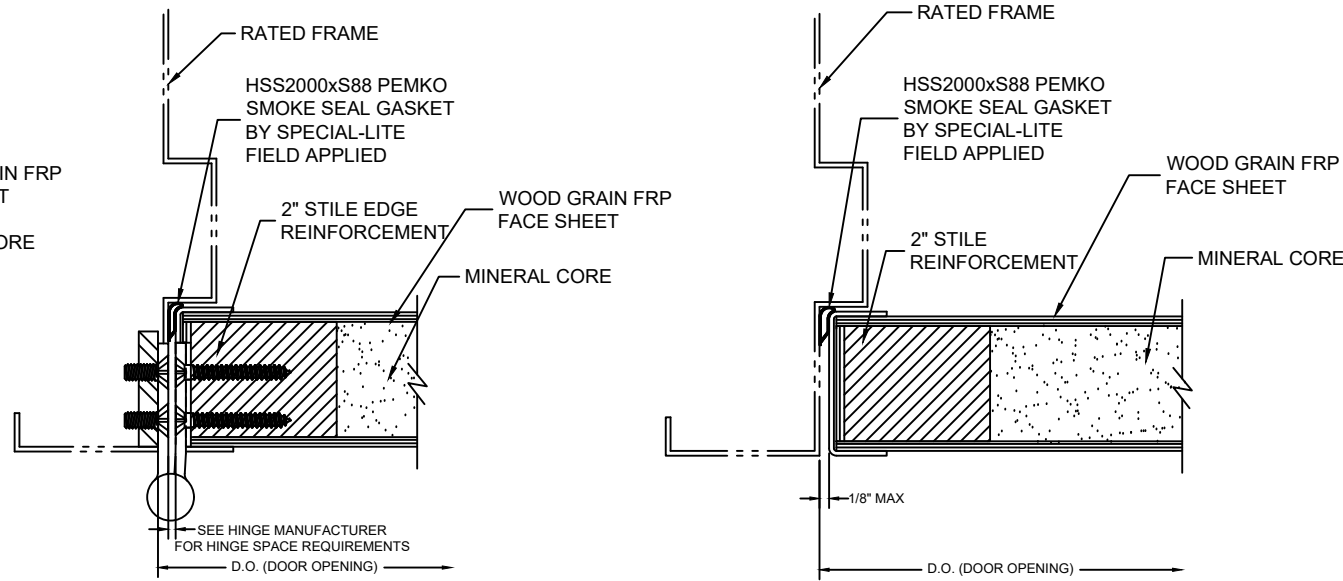


***All hardware preps and modifications to doors must be done in accordance with NFPA 80-16**

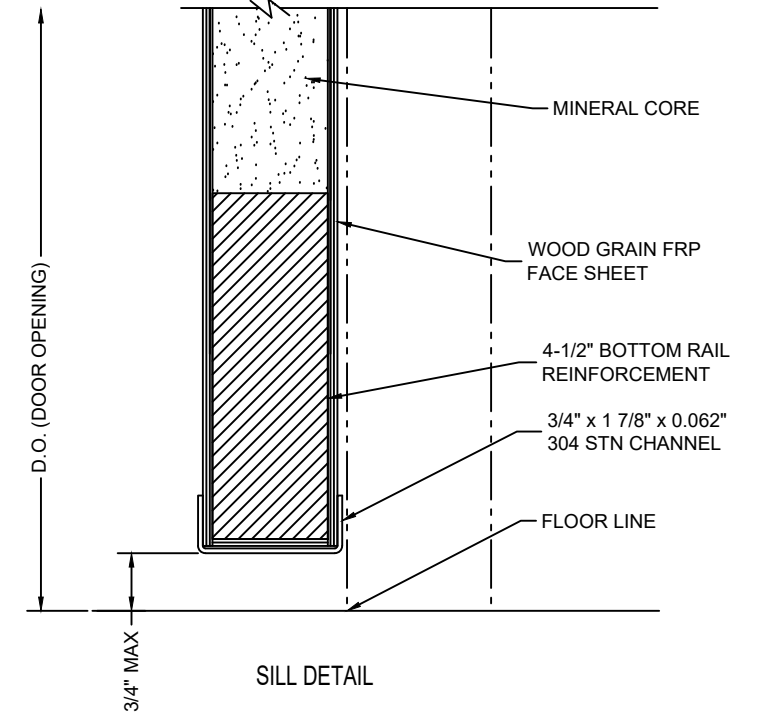


CONTINUOUS HINGE JAMB DETAIL

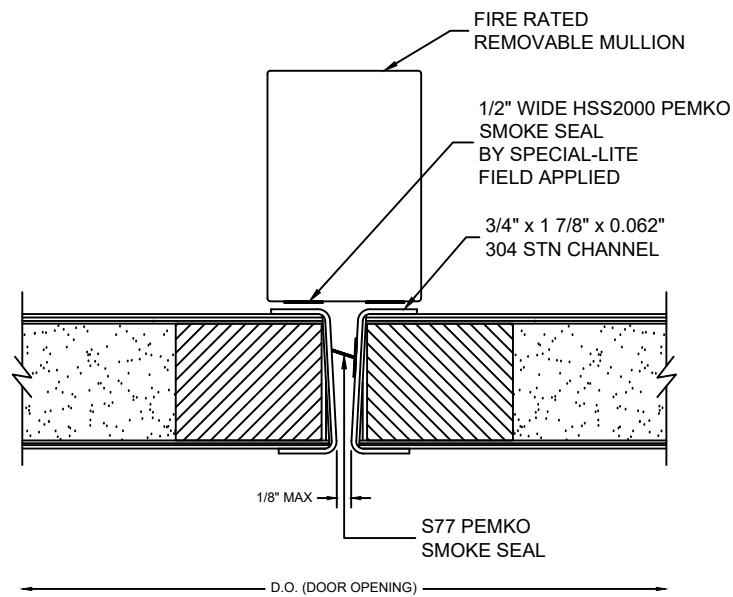


BUTT HINGE JAMB DETAIL

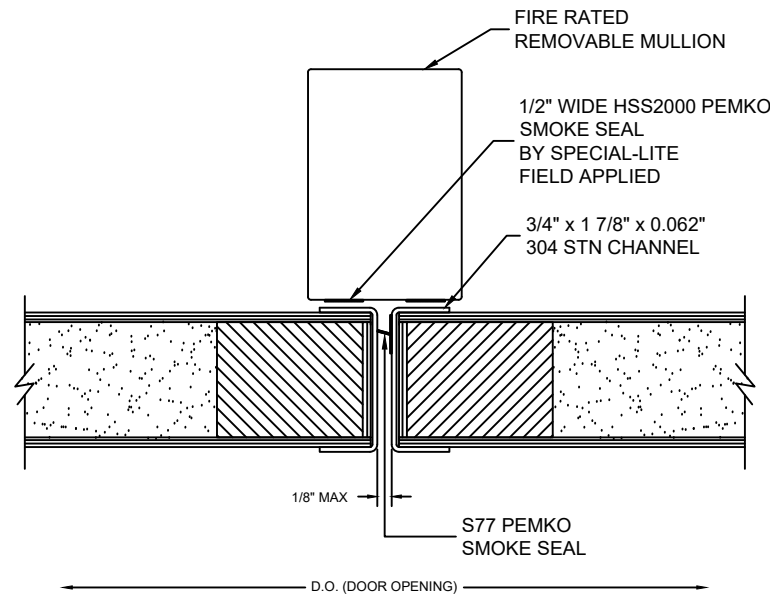
LOCK JAMB DETAIL



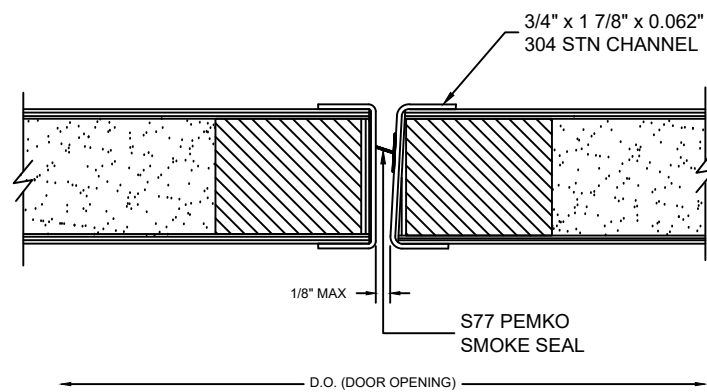
SILL DETAIL



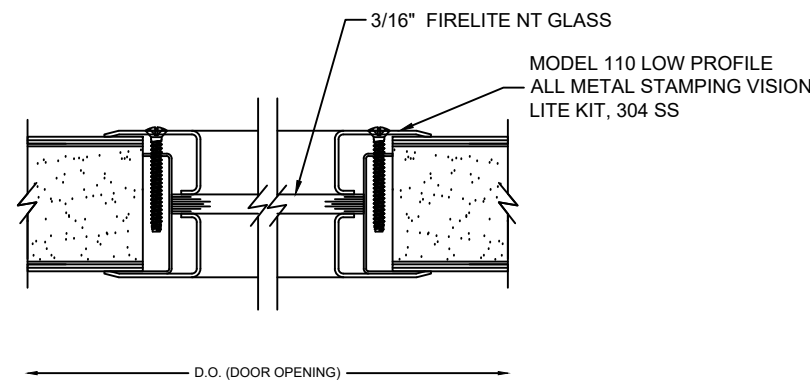
STANDARD MEETING DETAIL



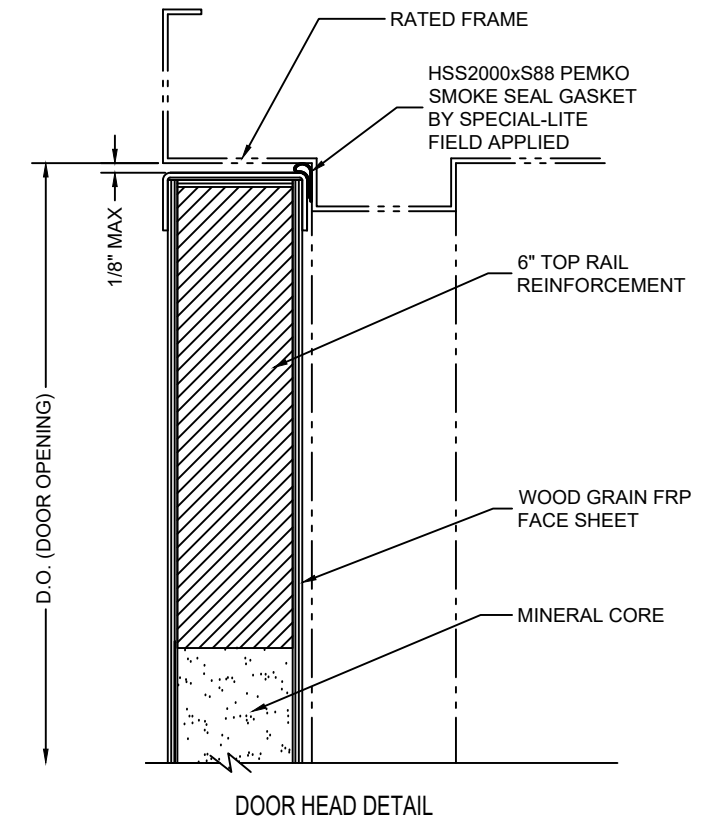
OPTIONAL MEETING DETAIL



LOCKSET MEETING DETAIL



VISION-LITE KIT DETAIL



DOOR HEAD DETAIL

		SPECIAL-LITE, INC. 860 South Williams Street P.O. BOX 6 DECATUR, MI 49045 WWW.SPECIAL-LITE.COM	
		DRAWN BY: JMM REVISION	SL-19FR FRP - WOOD GRAIN DOOR
D 3/22/18 E 1/24/18 F 1/24/18	G	FILE: SL22DETAILS.dwg	