

INSTALLATION INSTRUCTIONS

SL-FR Series Doors

Supplement to Flush Door Installation Instructions

The Special-Lite Fire-Rated Door must be installed in fire-rated framing, and only fire-rated hardware devices, mullions, vision lite kits and glass can be used to maintain fire-ratings for the opening.

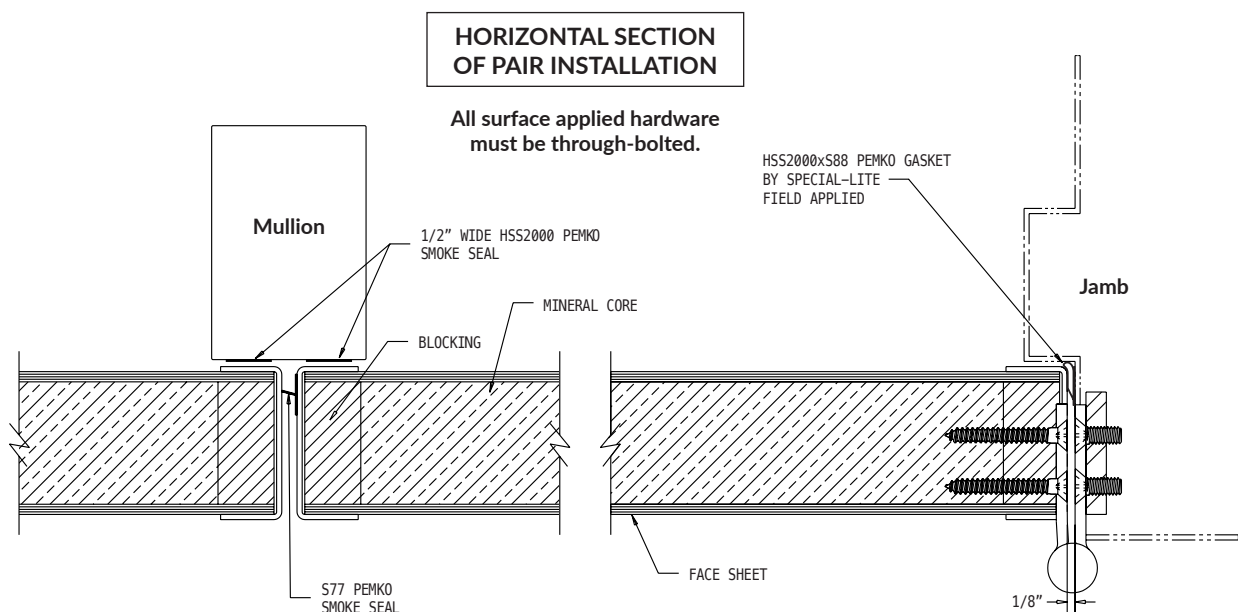
If hinges were installed by Special-Lite, the doors should be hung following the instructions provided in the Flush Doors Installation Instructions.

If hinges were not installed on the door by Special-Lite they should be installed at this time using the 410 Stainless #12 Phillips Flat Head 11 threads/inch "A" point screw – 1.5" long fasteners (SL-SC-109) supplied by Special-Lite to secure the hinge to the door. A #26 drill must be used to drill the pilot holes in the door. **It is critical that the hinge be secured to the door using the fasteners supplied by Special-Lite, and not the fasteners provided by the hinge manufacturer.** The manufacturer's fasteners may be used to secure the hinge to the frame jamb. If vision lites were not installed by Special-Lite they should be installed at this time. With fasteners and glazing tape supplied by Special-

Lite, apply tape to both halves of the vision lite kit on surface that touches the glass. Install frame half of vision kit into cutout. Install glass and ensure it is seated squarely against the glazing tape on the frame half. Install second half of vision lite kit and then install screws, **being careful not to over tighten them.*** Following hinge and/or vision lite installation on the door, the door should be hung following the instructions in the Flush Doors Installation Instructions.

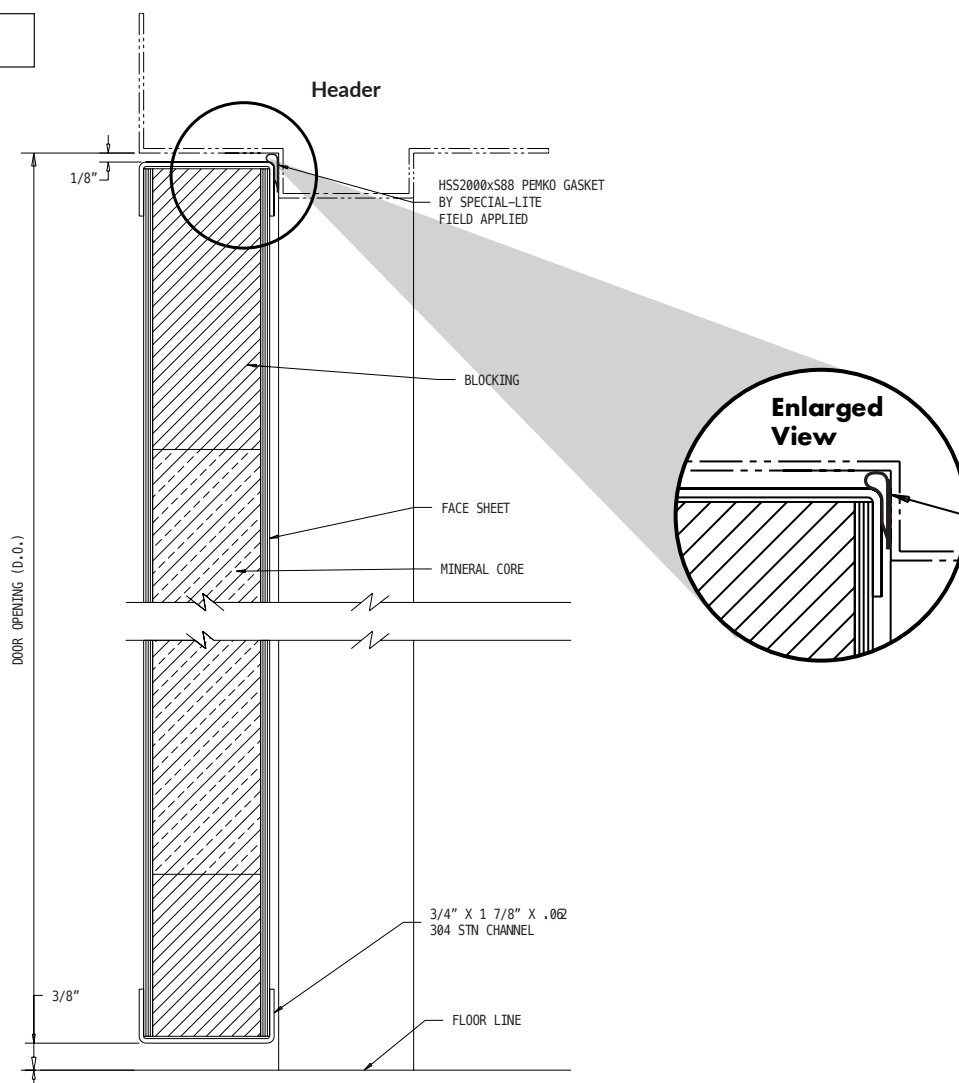
After the door is installed into the frame the gaskets and smoke seals supplied by Special-Lite must be installed on the full length of jambs and headers and must be installed per manufacturer's instructions. Both the S88 Pemko Gasket and HSS2000 Pemko Smoke Seal must be installed to preserve fire-rated status for the opening. The diagrams below detail the installation locations for the gasket and smoke seals on jambs, headers, mullions, and between pairs of doors. If glass is to be installed in vision lites in the field, the glazing tape provided should be used.

*Uneven tightening, or over tightening can cause glass breakage.



Fire Door Installation Instructions continued

VERTICAL SECTION



Enlarged View

