



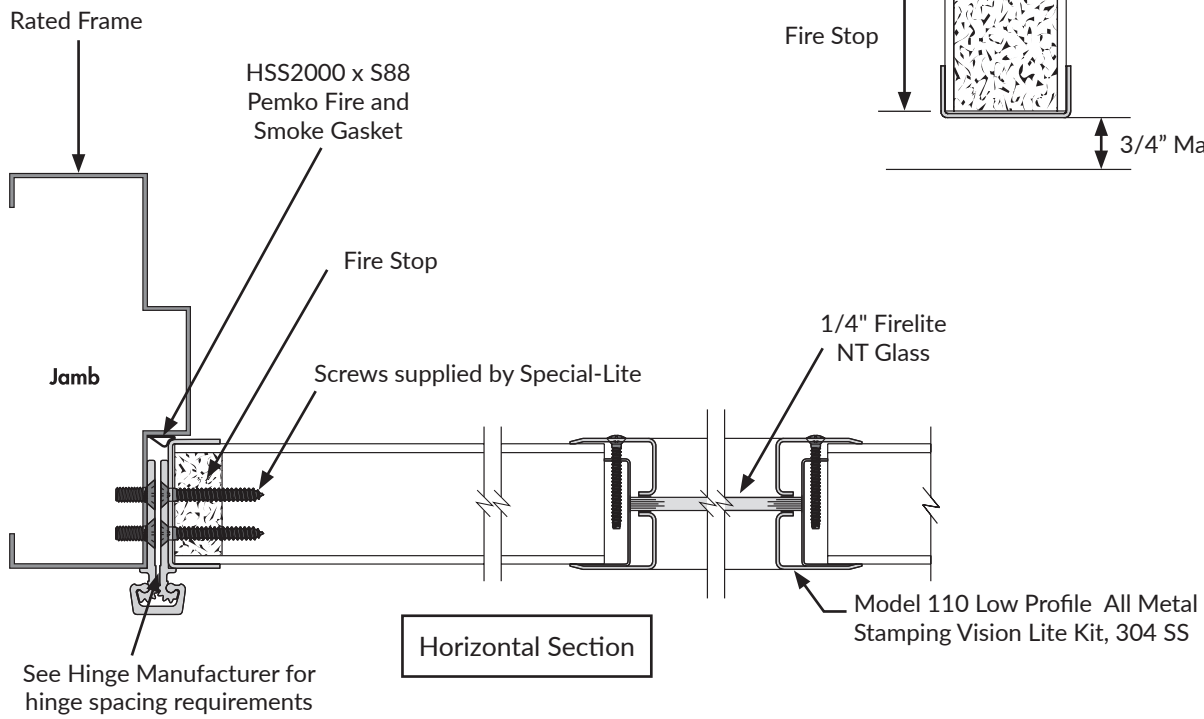
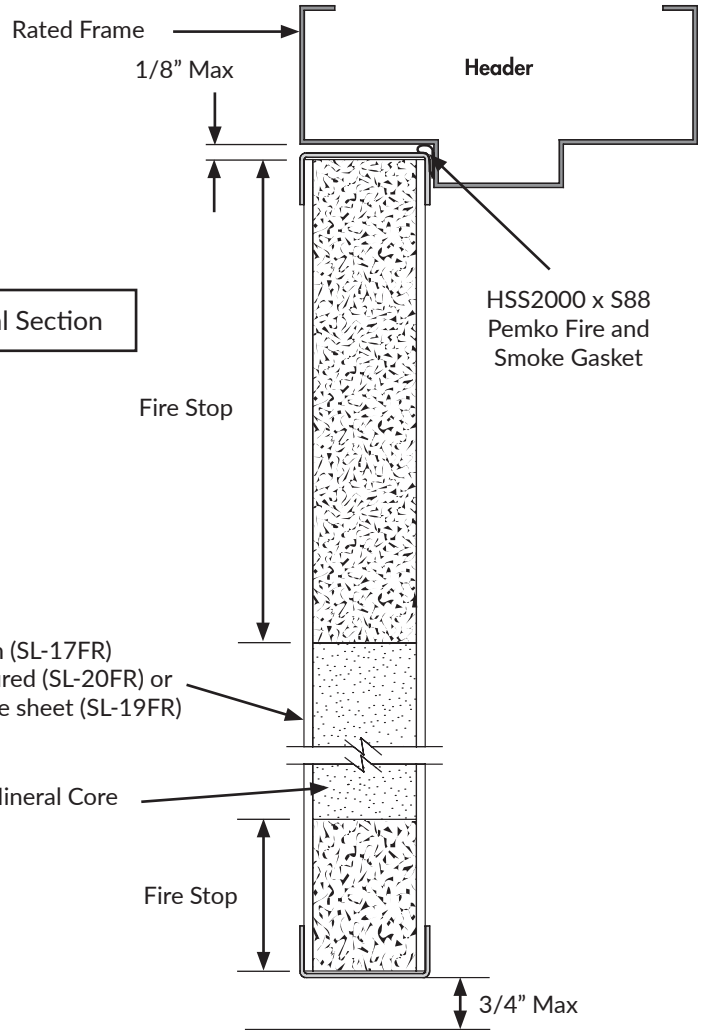
FIRE-RATED DOOR ARCHITECTURAL DETAIL

Not to scale

All hardware preps and modifications to doors must be done in accordance with NFPA 80-16

-  Fire Stop
-  Mineral Core

Vertical Section

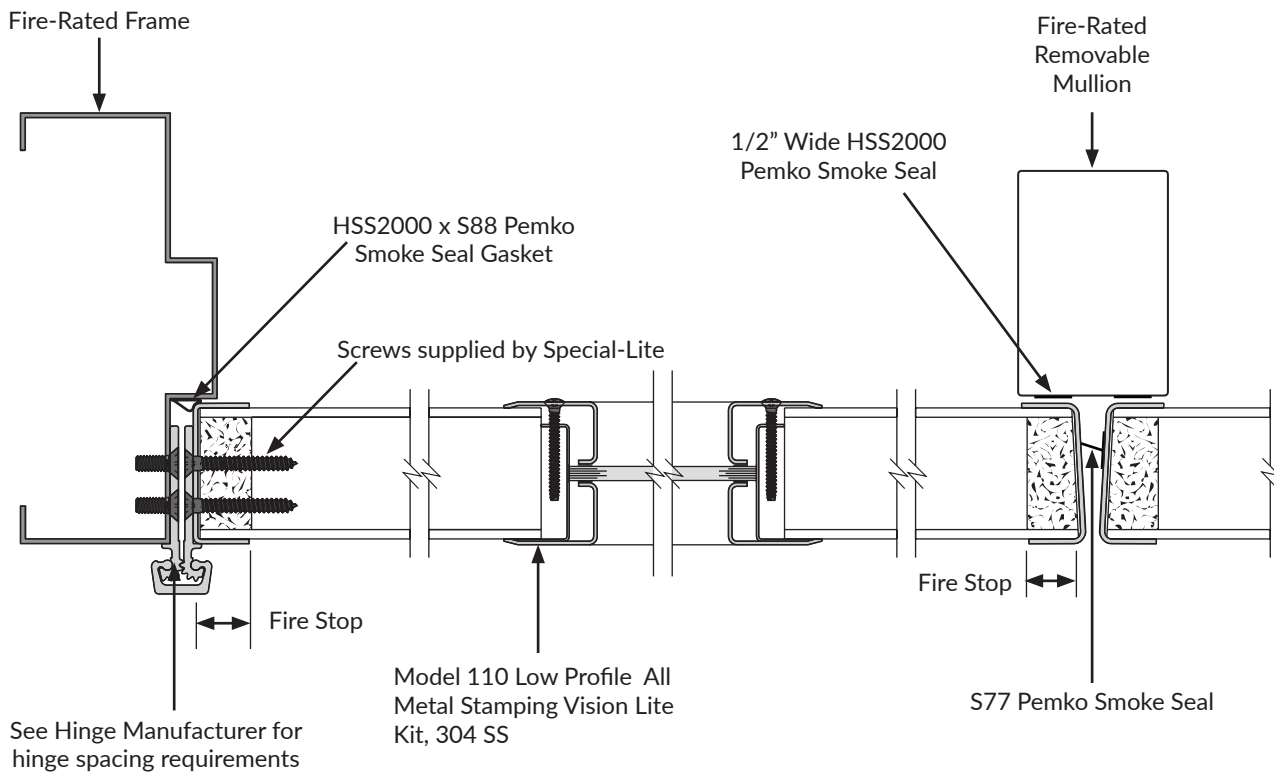


Horizontal Section

FIRE-RATED DOOR ARCHITECTURAL DETAIL

Not to scale

All hardware preps and modifications to doors must be done in accordance with NFPA 80-16



Horizontal Section
Pair with mullion

Product specifications and construction details subject to change without notification.