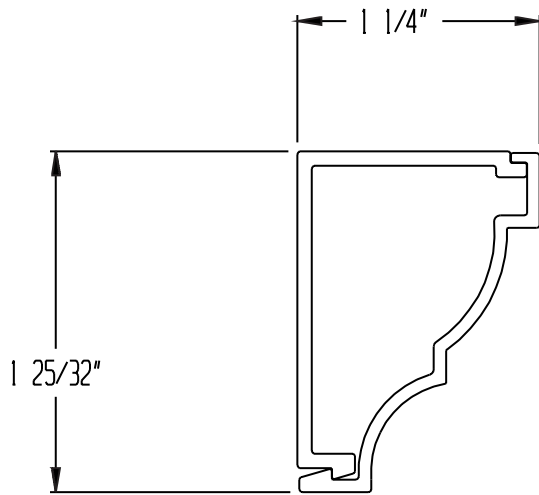


Aluminum Hardware & Lites

Not to scale



Cove Molding

