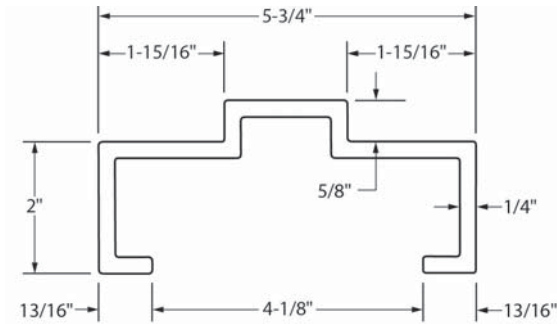
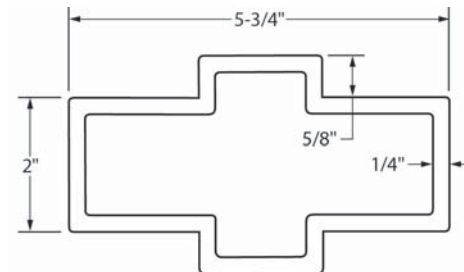


## All-Fiberglass 5-3/4" Framing

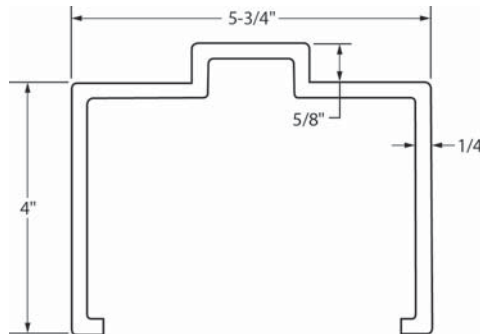
Not to scale



**5-3/4" Standard Profile**



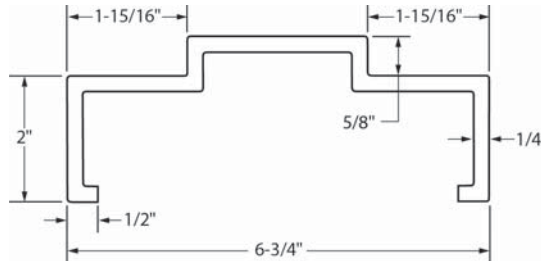
**5-3/4" Fixed or Removable Mullion**



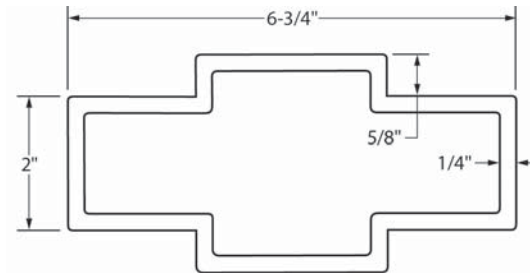
**5-3/4" Standard 4" Head Profile**

## All-Fiberglass 6-3/4" Framing

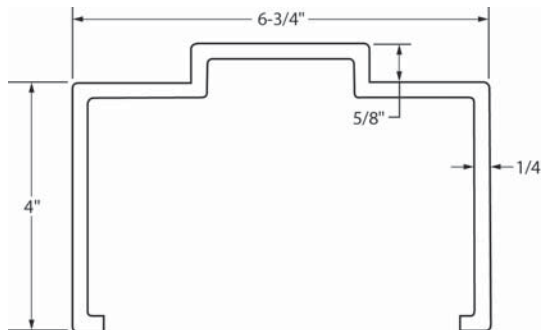
Not to scale



**6-3/4" Standard Profile**



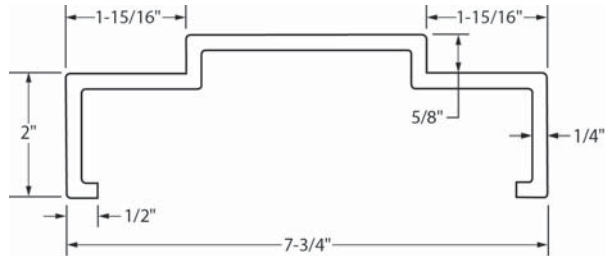
**6-3/4" Fixed or Removable Mullion**



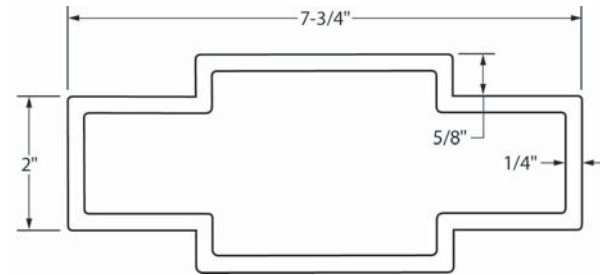
**6-3/4" Standard 4" Head Profile**

## All-Fiberglass 7-3/4" Framing

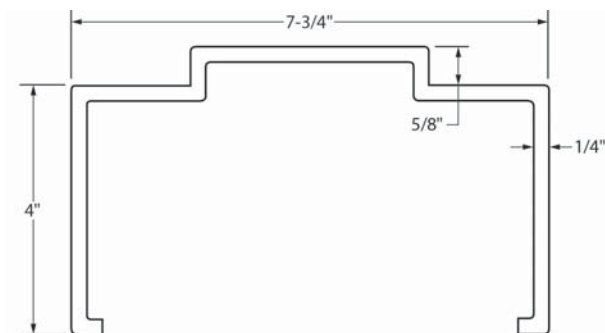
Not to scale



**7-3/4" Standard Profile**



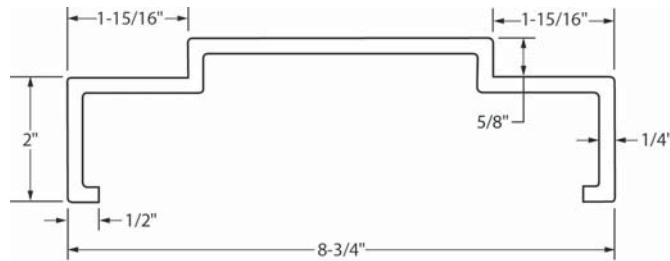
**7-3/4" Fixed or Removable Mullion**



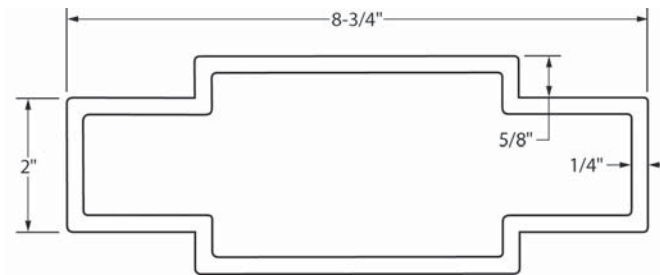
**7-3/4" Standard 4" Head Profile**

## All-Fiberglass 8-3/4" Framing

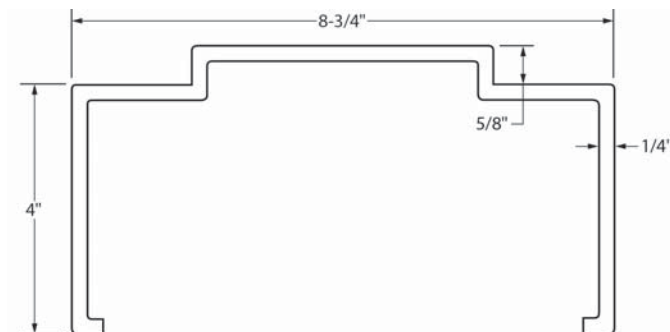
Not to scale



**8-3/4" Standard Profile**



**8-3/4" Fixed or Removable Mullion**

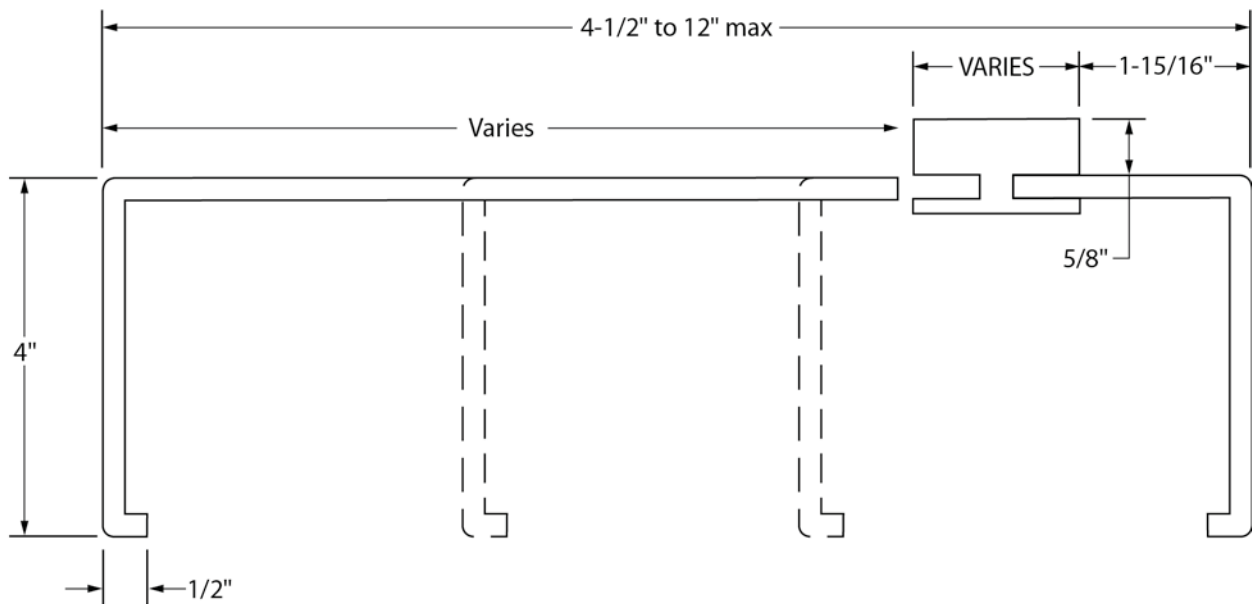
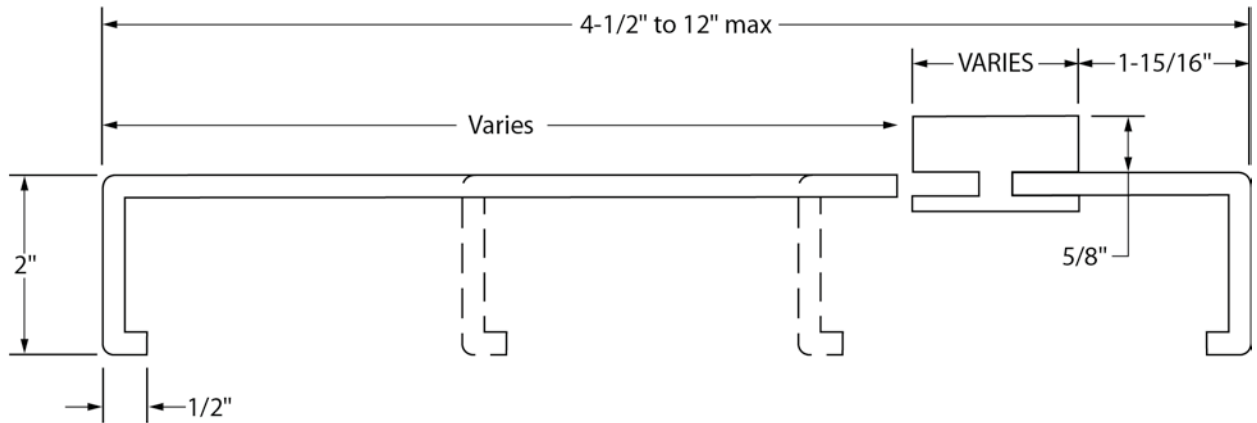


**8-3/4" Standard 4" Head Profile**

## All-Fiberglass Custom Sized Framing

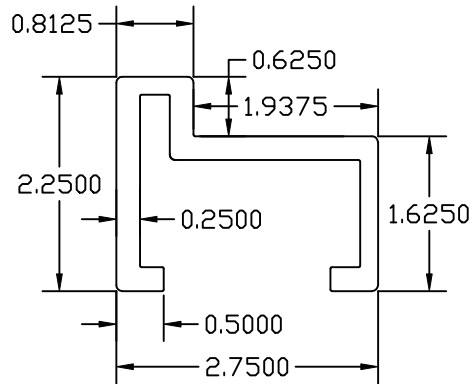
Not to scale

**Factory Bonded 3-Piece Frame**  
(specify size 4.5" to 12")

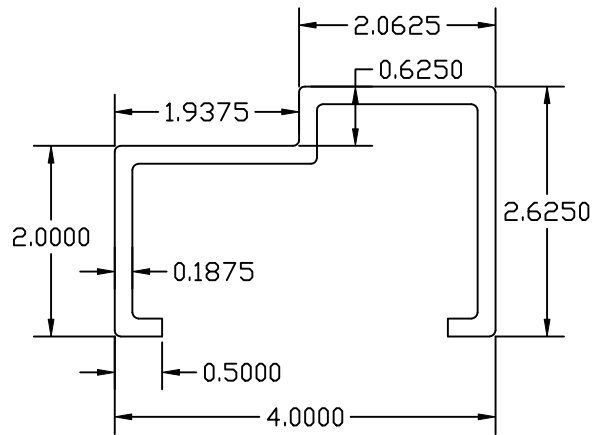


## All-Fiberglass Door Frame Single Rabbet

Not to scale



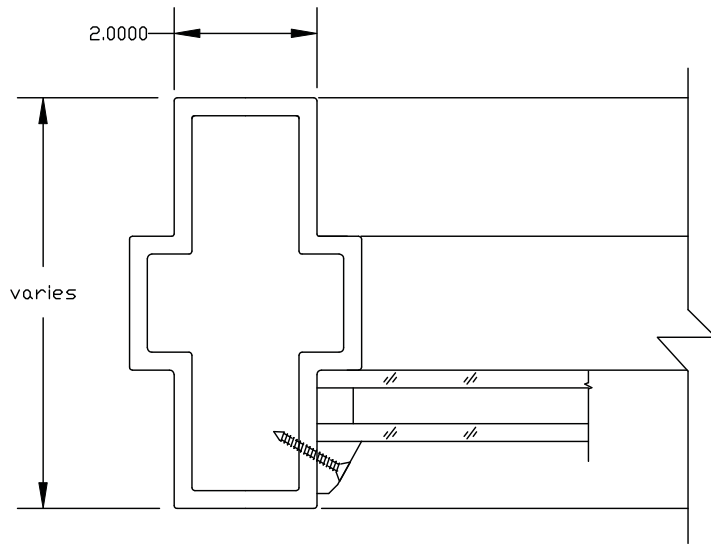
**2-3/4" Single Rabbet Profile**



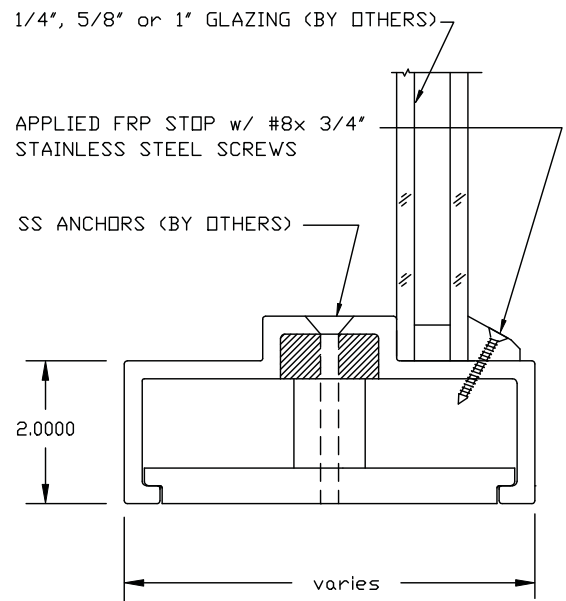
**4" Single Rabbet Profile**

## All-Fiberglass Borrowed Lites

Not to scale



**Mullion Profile**

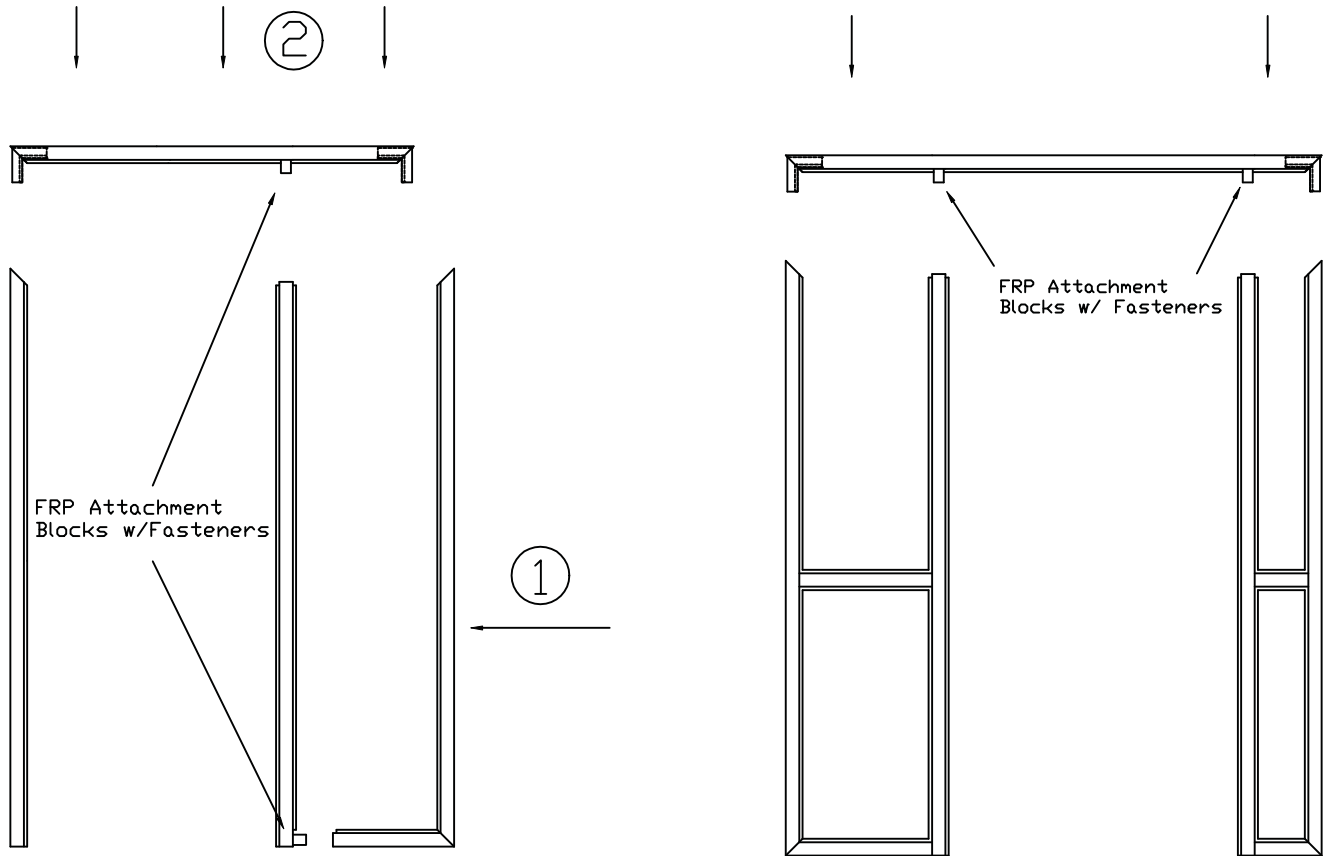


**Sill Profile (Head/Jamb)**

## All-Fiberglass Framing

Not to scale

### AF-150 Framing with Side Lite



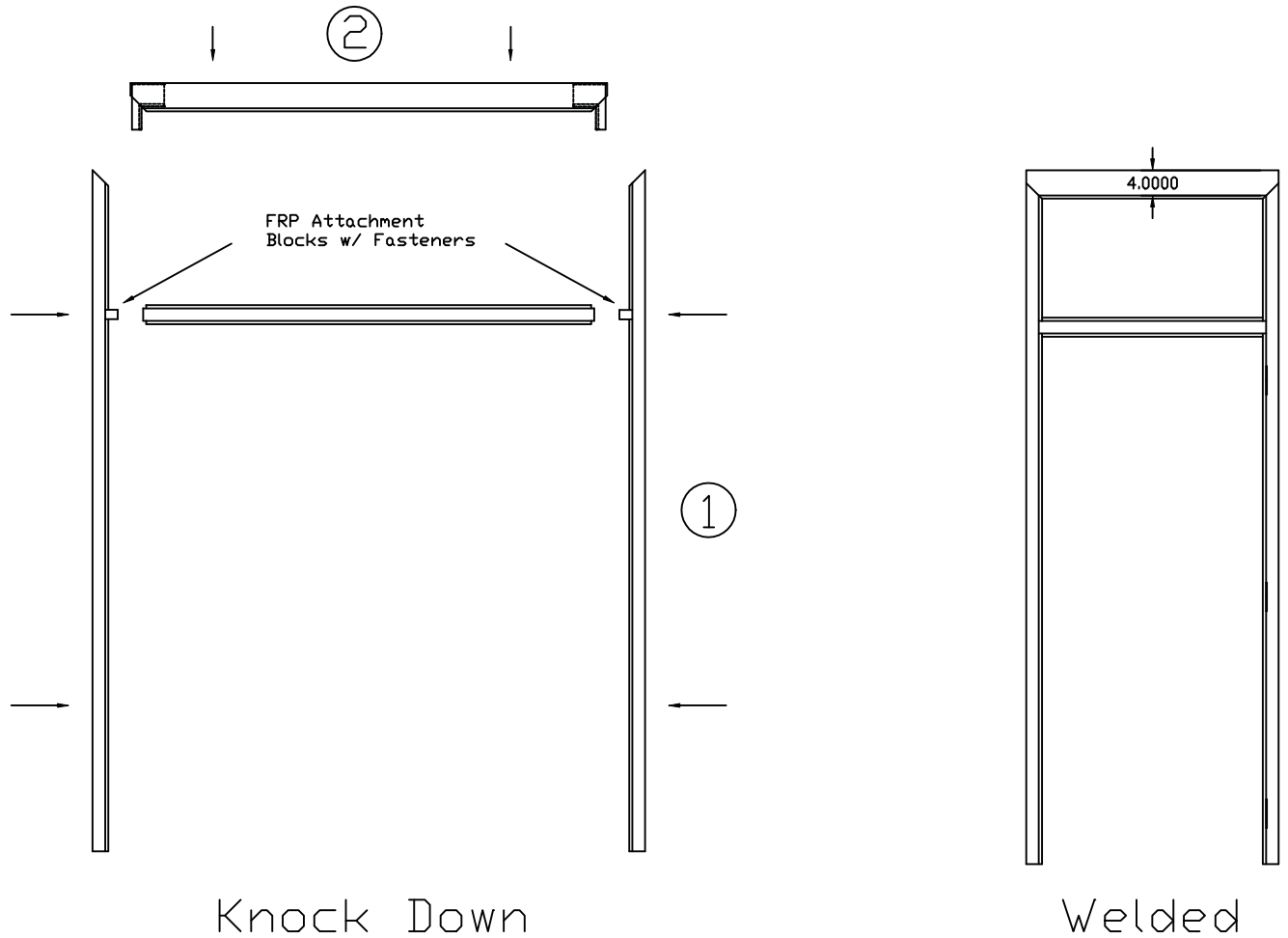
Frame Detail



## All-Fiberglass Framing

Not to scale

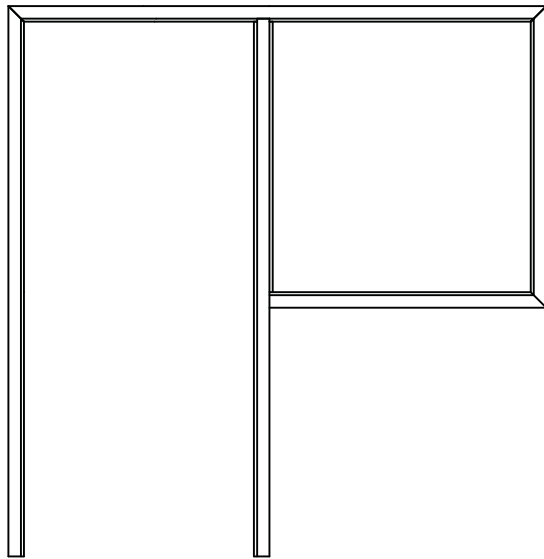
### AF-150 Framing with Transom



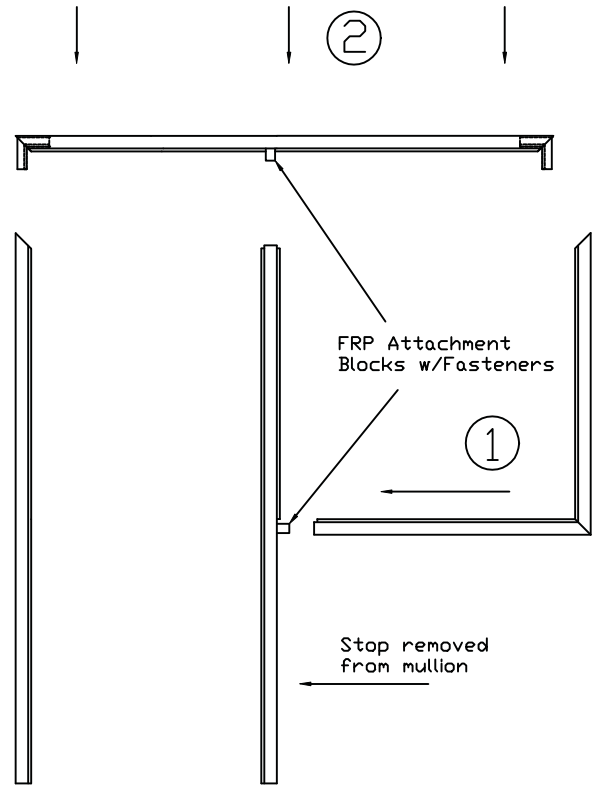
## All-Fiberglass Framing

Not to scale

### AF-150 Framing with Half Wall



Welded



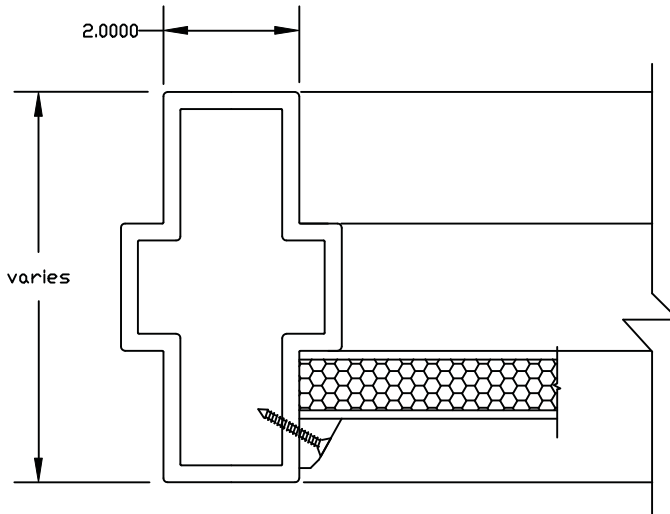
Knock Down

## All-Fiberglass Framing

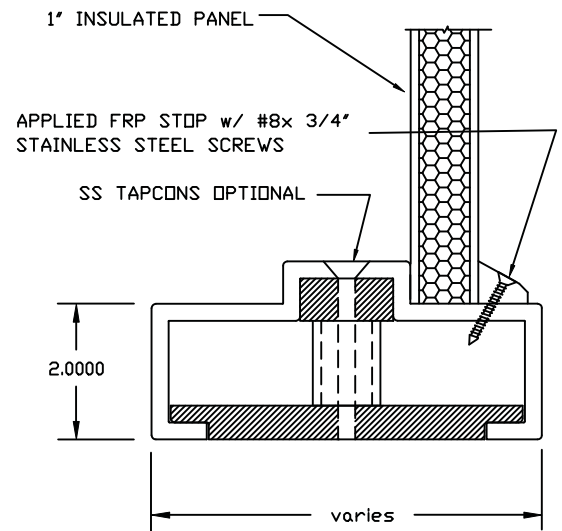
Not to scale

### FRP Removable Transom Panel

- \*ALL TRANSOM PANELS ARE CUSTOM MANUFACTURED.
- \*STANDARD JAMB DEPTH 2"X 5 3/4", 4" HEAD OPTIONAL
- \*OPTIONAL JAMB DEPTHS 6 3/4", 7 3/4" & 8 3/4". 4" HEAD OPTIONAL IN THESE SIZES



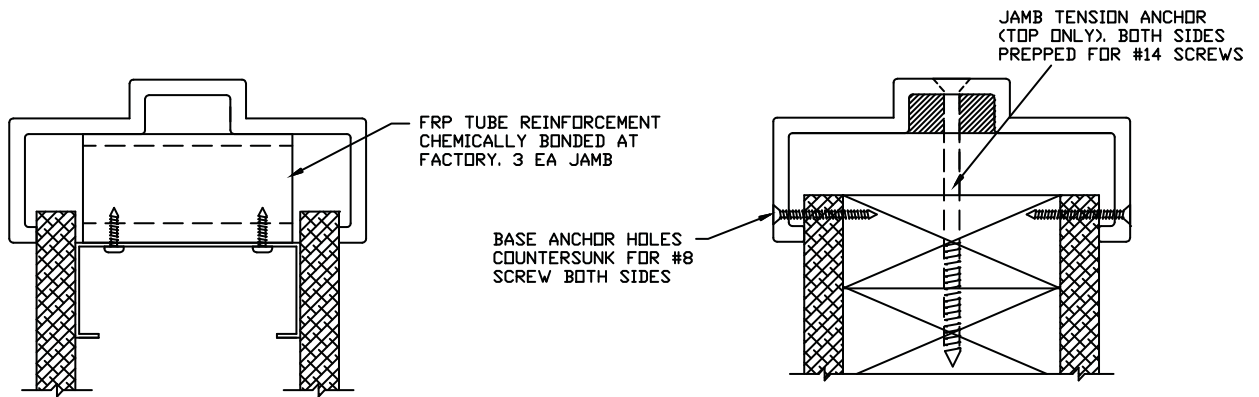
MULLION PROFILE



FRAME PROFILE (HEAD/JAMB)

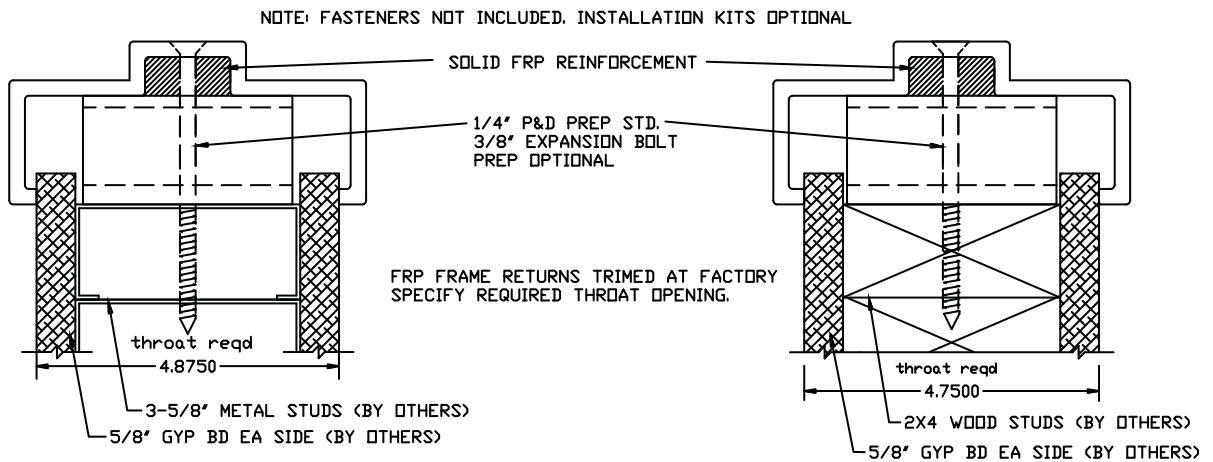
## All-Fiberglass Frame Anchorage (Drywall)

Not to scale



**Standard Jamb Anchor Tuck Condition**

**KD Wrap Condition**



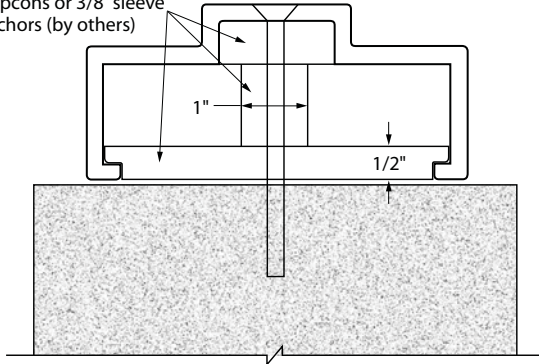
**Optional Punch and Dimple Tuck FRP Frame & Metal Studs**

**Optional Punch and Dimple Tuck FRP Frame & Wood Studs**

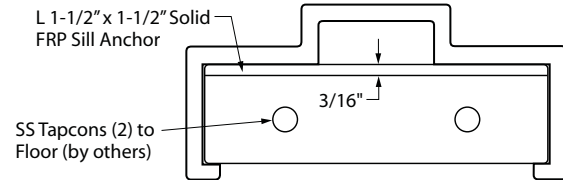
## All-Fiberglass Frame Anchorage (Masonry)

Not to scale

Solid FRP chemically welded at factory and pre-drilled for 1/4" tapcons or 3/8" sleeve anchors (by others)

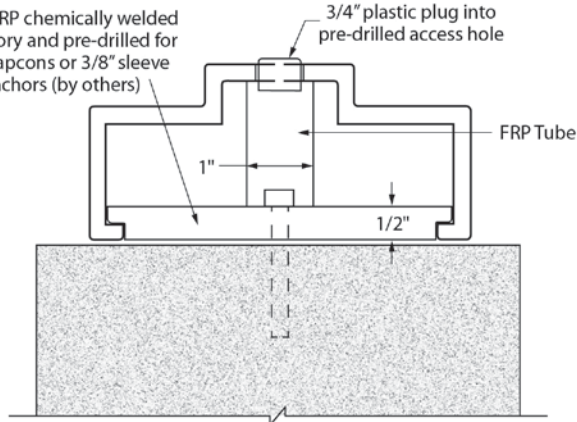


**Existing Concrete or Block**

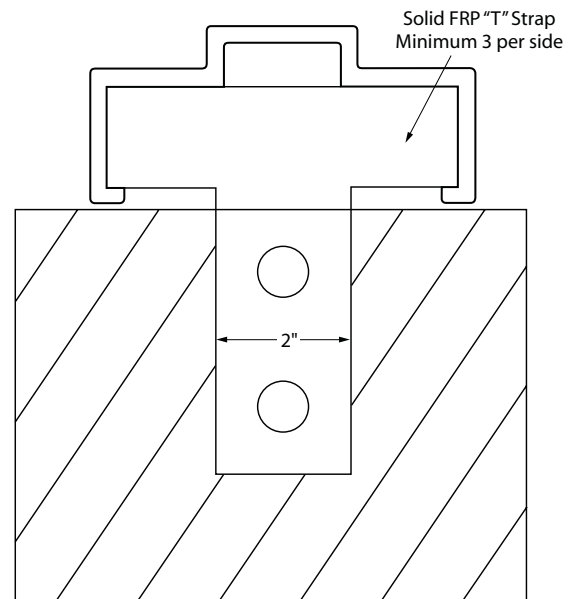


**Sill Anchor**

Solid FRP chemically welded at factory and pre-drilled for 1/4" tapcons or 3/8" sleeve anchors (by others)



**Concealed Existing Masonry Anchor**



**New Concrete Block**