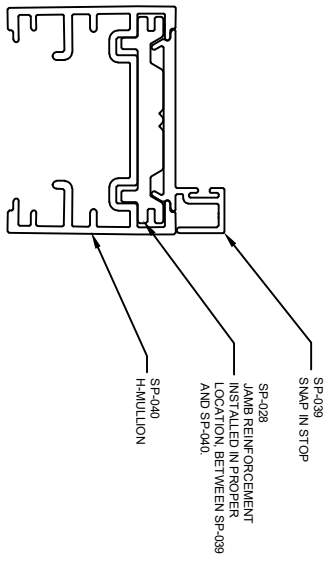


CONFIDENTIALITY NOTICE: THIS DRAWING, INCLUDING ANY ATTACHMENTS, IS FOR THE SOLE USE OF THE INTENDED RECIPIENT(S) AND MAY CONTAIN CONFIDENTIAL AND PRIVILEGED INFORMATION. ANY UNAUTHORIZED REVIEW, USE, DISCLOSURE OR DISTRIBUTION IS PROHIBITED. IF YOU ARE NOT THE INTENDED RECIPIENT, PLEASE CONTACT SPECIAL-LITE, INC. AND DESTROY ALL COPIES OF THE ORIGINAL DRAWING.



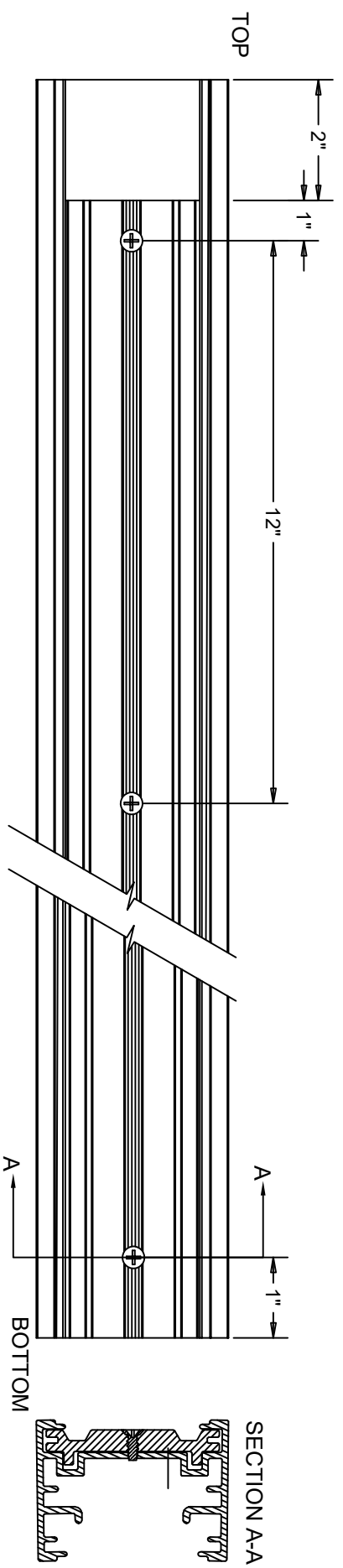
- 1.) MEASURE THE STRIKE JAMB FOR SP-028 REINFORCEMENT. THIS WILL TAKE TWO SECTIONS OF SP-028 DUE TO THE STRIKE PREP. MEASURE FROM THE TOP OF SP-040 TO THE TOP STRIKE CLIP. SUBTRACT 2" (RELIEF FOR TOP CLIP) AND CUT THIS LENGTH OF SP-028 REINFORCEMENT. MEASURE FROM THE BOTTOM OF SP-040 TO THE BOTTOM STRIKE CLIP AND CUT THIS LENGTH OF SP-028 REINFORCEMENT.

- 2.) TO INSTALL THIS REINFORCEMENT SLIDE THE TOP PIECE IN FROM THE TOP, AND THE BOTTOM IN FROM THE BOTTOM, IN THE LOCATION SHOWN IN THE DIAGRAM ON THE LEFT.

- 3.) AFTER MAKING SURE THAT THE BOTTOM OF THE SP-028 REINFORCEMENT IS FLUSH WITH THE BOTTOM OF SP-040 AND THAT THERE IS A 2" GAP FROM THE TOP OF SP-040 AND THE SP-028 REINFORCEMENT, DRILL USING A #29 DRILL BIT 1" FROM THE BOTTOM OF THE STRIKE JAMB AND 3" FROM THE TOP OF THE STRIKE JAMB THROUGH SP-028 AND SP-040 (USING A CLAMP MAY HELP KEEP THE EXTRUSIONS FROM MOVING. COUNTERSINK WITH AN 82° COUNTERSINK. INSTALL #8-18 FLAT HEAD SCREWS IN EACH OF THE HOLES DRILLED. THIS IS SHOWN IN THE DIAGRAM BELOW.

- 4.) DRILL USING A #29 DRILL BIT DRILL 1" BELOW AND 1" ABOVE THE STRIKE CLIPS THROUGH SP-028 AND SP-040. COUNTERSINK THESE HOLES WITH AN 82° COUNTERSINK. INSTALL #8-18 FLAT HEAD SCREWS IN EACH OF THE HOLES DRILLED.

- 5.) DRILL, COUNTERSINK AND INSTALL #8-18 SCREWS APPROXIMATELY EVERY 12" IN SP-028 AND SP-040.



MATERIAL: xx
HEAT TREATMENT: xx
COATING: xx
SURFACE FINISH: xx
PART WEIGHT: xx

UNLESS OTHERWISE SPECIFIED
0.004015"
0.004015"
0.00040-0.025"
0.00004-0.0005"
CONCENTRICITY 0.0001 T.I.R.
ALL FILETS & ROUNDS R0.015"
FINISH 125 RMS
FREE OF BURRS

860 SOUTH WILLIAMS STREET
DECATUR, MI 49045
WWW.SPECIAL-LITE.COM
(800)821-6531

Special-Lite®
ENGINEERED ARCHITECTURAL SOLUTIONS

INSTALLATION OF SP-028
STRIKE JAMB REINFORCEMENT
SUPPLIER S-L
CREATED BY JMM
APP'D BY xxx
SCALE 1:1
REV 04/17/2018
DATE
REL 04/17/2018
SHEET 10F1

REV.	REVISION	NOTE	DATE	INITIAL	APP'D