

## Design Considerations & Installation Guidance

LiteSpace Interior Aluminum Framing provides a slim profile for glass walls and office fronts. It is designed to be cut to length on project sites for finished, cased openings or unfinished deck-to-deck applications.

You should review the Design Considerations section of this document. Read through the instructions before installation.



### IMPORTANT

- Special-Lite makes no representations regarding the products intended application and use. It shall be the sole responsibility of the user to determine suitability, use, and appropriate reinforcement and/or anchors of Special-Lite interior aluminum framing and integrated glass.
- These instructions are provided to help prevent installation problems caused by most common errors. They are strictly recommendations and are not intended to be a step-by-step, foolproof installation checklist suitable for every situation.
- There are many variations of installations not covered in these instructions that Special-Lite assumes are general construction knowledge to an experienced installer. Selection of an experienced installer is the sole responsibility of the project owner or responsible party.
- Failure to follow good practice in installation will void the warranty on Special-Lite products.**
- If you have any questions about installation techniques for your particular project, please call 1-800-821-6531 and ask for a Special-Lite Customer Service Representative.

# Design Considerations

Before ordering and attempting installation of LiteSpace, consider all of the following guidelines to ensure correct application of this product.

## Opening Details

- LiteSpace is designed to be mounted on finished, cased openings.
- The opening surfaces **MUST** be level, plumb, and square.
- The opening surfaces must be clean (with no buildup of drywall or putty).
- When sliding doors are to be used, the header of the opening must be reinforced. See section, *Sliding Door Header Reinforcement*.

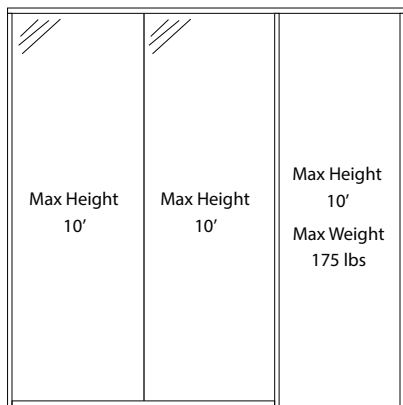
## Cut to Length

LiteSpace extrusions are delivered in lengths of 126 inches. Cut these extrusions to length to fit your desired opening.

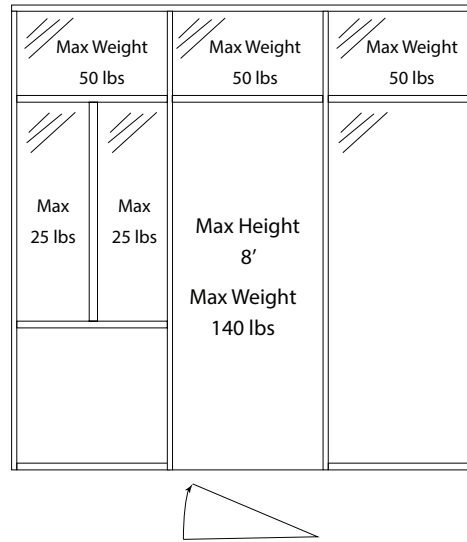
## Standard Elevation Limitations

### Swinging Doors

- With hinge jamb mounted to finished wall:
  - Max. Opening Height: 10 feet (3.05 m)
  - Maximum door height: 10 feet (3.05 m)
  - Maximum total door weight, including glass and hardware: 175 lbs (79.4 kg)

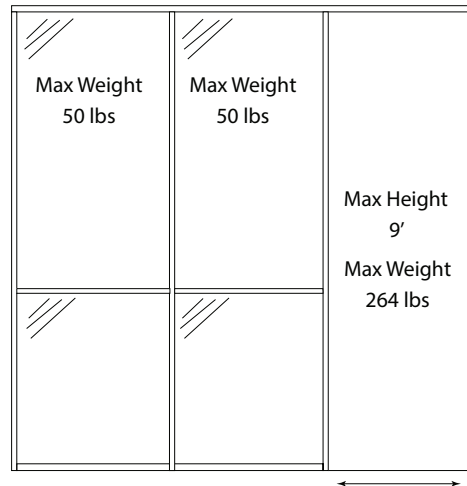


- With hinge jamb mounted to vertical intermediate mullion:
  - Maximum door height: 8 feet (2.44 m)
  - Maximum door weight, including glass and hardware: 140 lbs (63.5 kg)



### Sliding Doors

- Maximum door height: 10 feet (3.05 m)
- Maximum door weight, including glass and hardware: 264 lbs. (120 kg)
- Transoms are not permitted



### Side-lite with Horizontal Mullion

- Glass weight should not exceed 50 lbs (22.7 kg) per section

## Transom

- Glass weight should not exceed 50 lbs (22.7 kg) per section
- Should not exceed 36" (.91 meters) per section

## Glazing Specifications


- LiteSpace is designed for 3/8" glass but can also accommodate 1/4" or 1/2" thick glass.
- The glass is secured with a vinyl bulb.
- You **MUST** pull the vinyl glazing bulb into LiteSpace extrusions before they are installed.
  - The factory may have preinstalled your glazing bulb for an additional cost.
- LiteSpace uses snap-in glass jamb pockets to accommodate glass installation. These pockets must be considered during the glazing stage.
  - The two sizes of pockets are meant to be placed opposite each other.
  - For consistency, Special-Lite recommends using the deep pocket for the header. The deep pocket on the header or ceiling allows glass to be lifted up and set in bottom channel.
  - Intermediate mullions between sheets of glass require special consideration.
- When butting glass sheets against each other, you can wet glaze or use the polycarbonate I-beam with glazing tape.
- When using the I-beam/glazing tape supplied by us, the glass must be beveled.

## Door Mute

- You **MUST** pull the door mute into LiteSpace extrusions before they are installed.
  - The factory may have preinstalled your door mute for an additional cost.

## Sliding Door Header Reinforcement

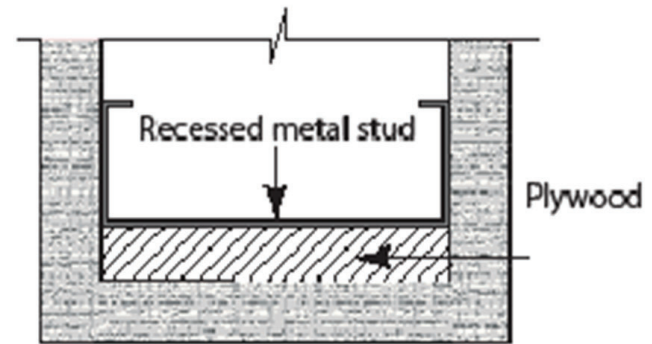
The weight of a hanging, glass-laden door puts significant stress on the header of the opening. The header for a LiteSpace **sliding door application** **REQUIRES** reinforcement.



**WARNING**

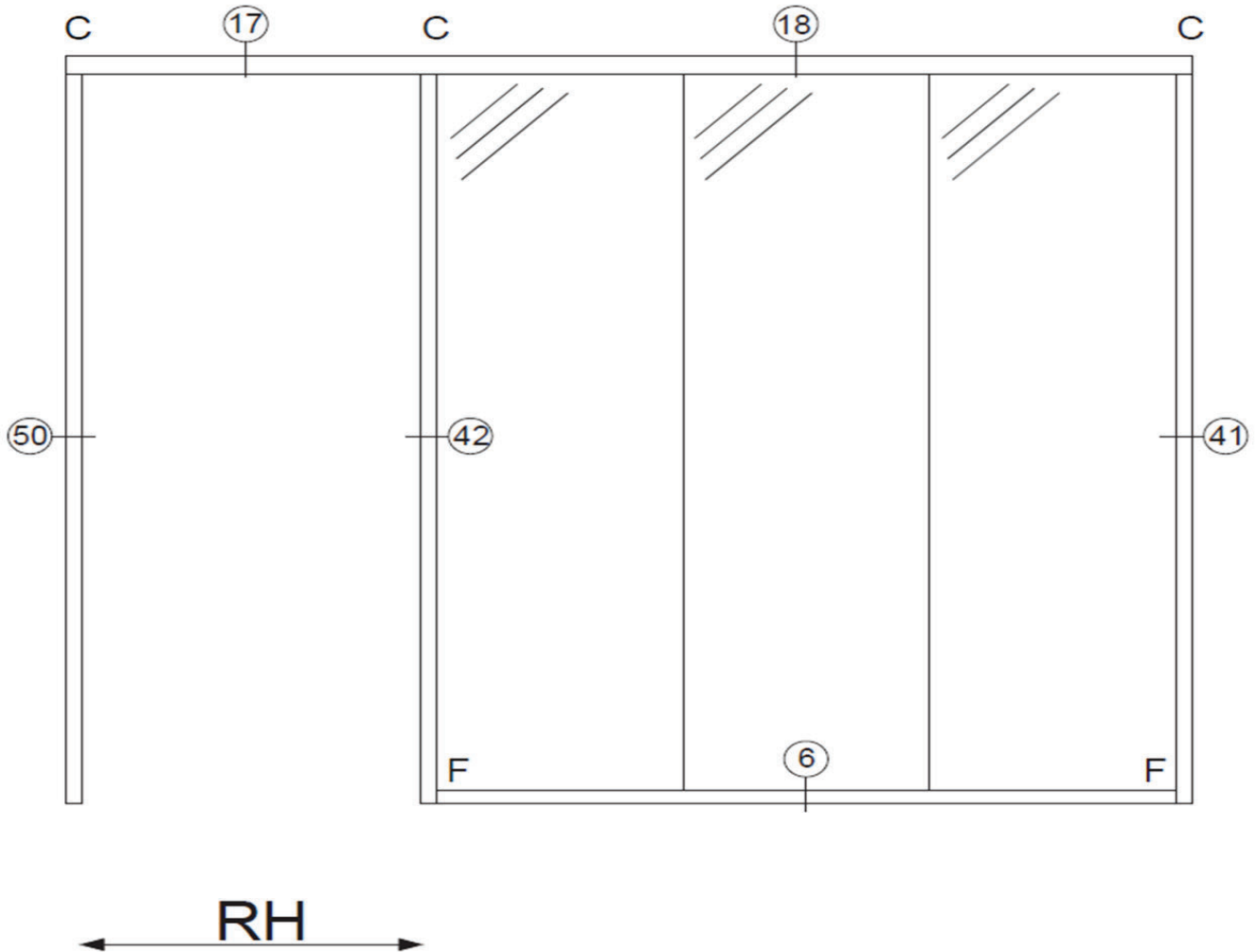
Risk of serious injury or death. Without reinforcement, there is a high risk for falling door and glass.

- Reinforce metal studs with 3/4" plywood (recommended). Please see below.



- Drop ceilings require special consideration. They should be reinforced to handle loads as much as 100 lbs per square foot in the area above the opening.

## LiteSpace Installation: Sliding Door with Sidelite



### Parts supplied by Special-Lite:

- SP-001 Short-profile sliding track header
- SP-038 Base setting channel
- SP-037 1.75" Door receiving channel
- SP-034 Sliding door post
- SP-002 Shallow glazing channel
- SP-004 Snap-in channel cover
- SP-003 Deep glazing insert channel
- SP-032 Short-profile slider track
- SP-033 Short-profile track fascia
- C-clip Twist clip
- F-clip Frame vertical to base setting channel
- Glazing bulb (*factory preinstalled or loose*)

### Parts supplied by Special-Lite (*continued*):

- End cap (*if applicable*)

### Tools required:

- Miter saw
- Drill
- Screwdriver
- Screws and/or fasteners
- Spreader bar
- Measuring tape
- Level

## IMPORTANT

- Before installation, determine whether sliding door will be mounted on interior or exterior.
- All glazing bulb and door mute materials must be pulled in before installation.
- Notching or inseting parts to leave room for clips will affect glass measurements.

### Step 1: Install sliding track header (see fig. 1).

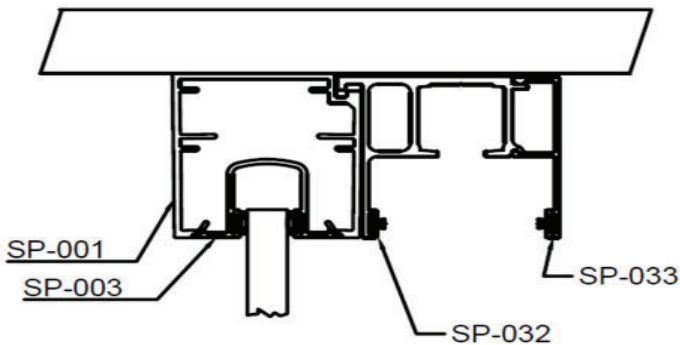


Figure 1: Detail Drawing 17

1. Measure and cut SP-001 to entire width of opening at header.
2. Secure SP-001 to entire width of opening at header.

### Step 2: Install base setting channel to both sides of opening (see fig. 2).

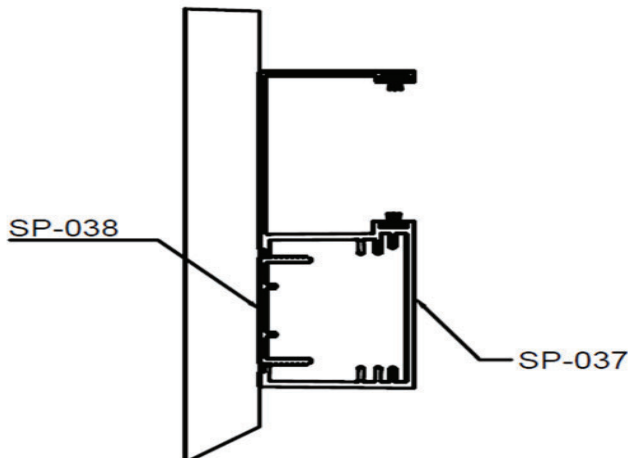


Figure 2: Detail Drawing 50

1. Measure and cut SP-038 to desired length on strike jamb side of door opening, allowing space for finished floor on bottom.
2. Measure and cut SP-038 to desired length on opposite side of opening, allowing space for finished floor on bottom.
3. Align SP-038 with SP-001.
4. Secure SP-038 to wall.

### Step 3: Install door receiving channel.

1. Measure and cut SP-037 to desired length for opening side on left, allowing space for finished floor on bottom.
2. Preload C-clip to SP-037 at header (see fig. 3).

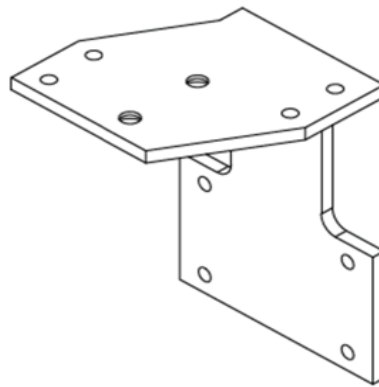
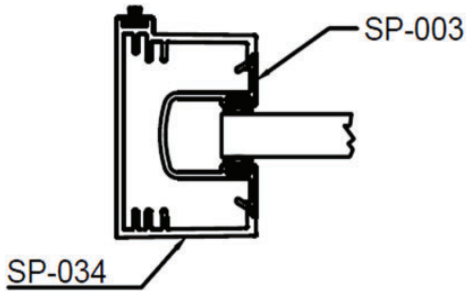


Figure 3: C-clip twist clip

3. Snap and secure SP-037 to SP-038.
4. Use C-clip to secure SP-037 to SP-001 at header.

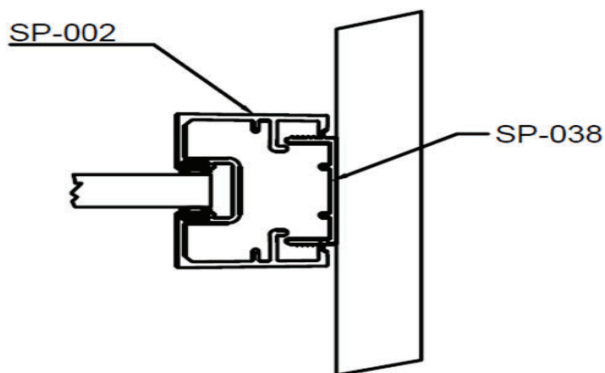
**Step 4: Install sliding door post (see fig. 4).**



*Figure 4: Detail Drawing 42*

1. Determine size of door opening.
2. Measure and cut SP-034 to desired length on stationary panel side of sliding door, allowing space for finished floor on bottom.
3. Use spreader bar to maintain opening size.
4. Preload C-clip to SP-034 at header.
5. Use C-clip to secure SP-034 to SP-001.
6. Secure SP-001 to SP-034.

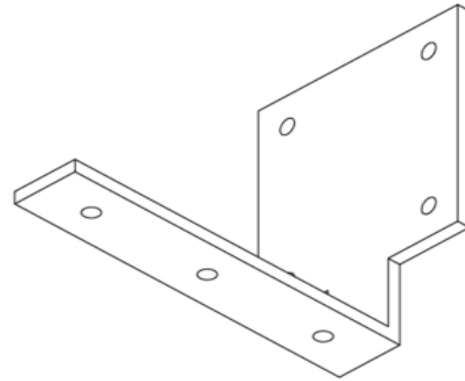
**Step 5: Install shallow glazing channel to end of opening (see fig. 5).**



*Figure 5: Detail Drawing 41*

1. Measure and cut SP-002 to desired length.
2. Preload C-clip to SP-002 at header.

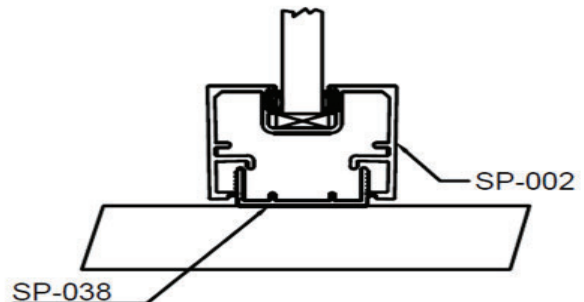
3. Preload F-clip to bottom of SP-002 at end of opening (see fig. 6).



*Figure 6: C-clip twist clip*

4. Snap and secure SP-002 to SP-038 at end of opening.
5. Use C-clip to secure SP-002 to SP-001 at header.

**Step 6: Install base receiving channel and shallow glazing channel at sill (see fig. 7).**



*Figure 7: Detail Drawing 6*

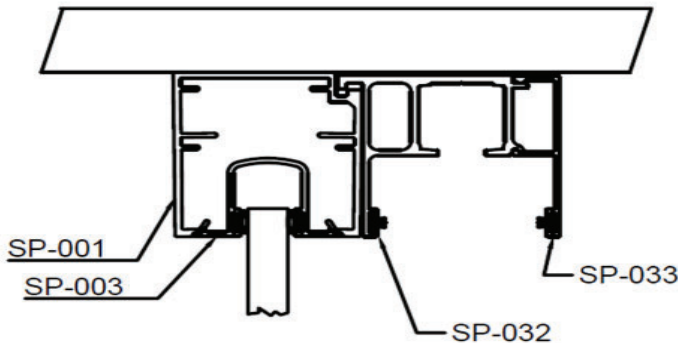
1. Measure width between SP-034 and vertical SP-002 on end of opening, keeping SP-034 square and at correct door opening measurement.
2. Cut SP-038 and SP-002 to desired width.
3. Use preloaded F-clips on SP-034 on stationary panel side of door and on vertical SP-002 at end of opening to secure SP-038 at floor.
4. Install additional anchors every 18" on center.

5. Snap and secure horizontal SP-002 to SP-038 at floor.

**Step 7: Install snap-in channel cover.**

1. Measure and cut SP-004 to desired width.
2. Snap SP-004 to SP-001.

**Step 8: Install deep glazing insert channel at header (see fig. 8).**



*Figure 8: Detail Drawing 18*

1. Measure width between SP-034 and vertical SP-002 on end of opening.
2. Measure and cut SP-003 to desired width.
3. Snap and secure SP-003 to SP-001 at header.

**Step 9: Install short-profile slider track.**

**IMPORTANT**

- If sliding track runs full width of opening, hardware must be installed in track prior to installation of SP-032.
- Do not engage hardware before installation.
- SP-32 should not be seamed in door operating area.

1. Measure and cut SP-032 to desired width.
2. Using groove in SP-001 and lip on SP-032 as guide, pull SP-032 flush with SP-001.

3. Countersink fasteners to secure SP-032 to header, ensuring the top of it is flush with the top of SP-001.

**Step 10: Install sliding door.**

1. Install sliding door.
2. Preload soft close and slide in (if not preinstalled.)
3. Adjust stops on either side of door to desired points.
4. Use installed door to engage soft closes where applicable. Consult manufacturer's installation manual for more detail.

**Step 11: Install short-profile track fascia.**

1. Measure and cut SP-033 to desired width.
2. Snap SP-033 to SP-032.
3. Install end caps (if applicable.)

**Step 12: Install deep glazing insert channel to sliding door post.**

1. Measure length between SP-001 and SP-002.
2. Cut SP-003 to desired length.
3. Notch or inset SP-003 to make room for C-clip and F-clip.
4. Snap SP-003 to SP-034.