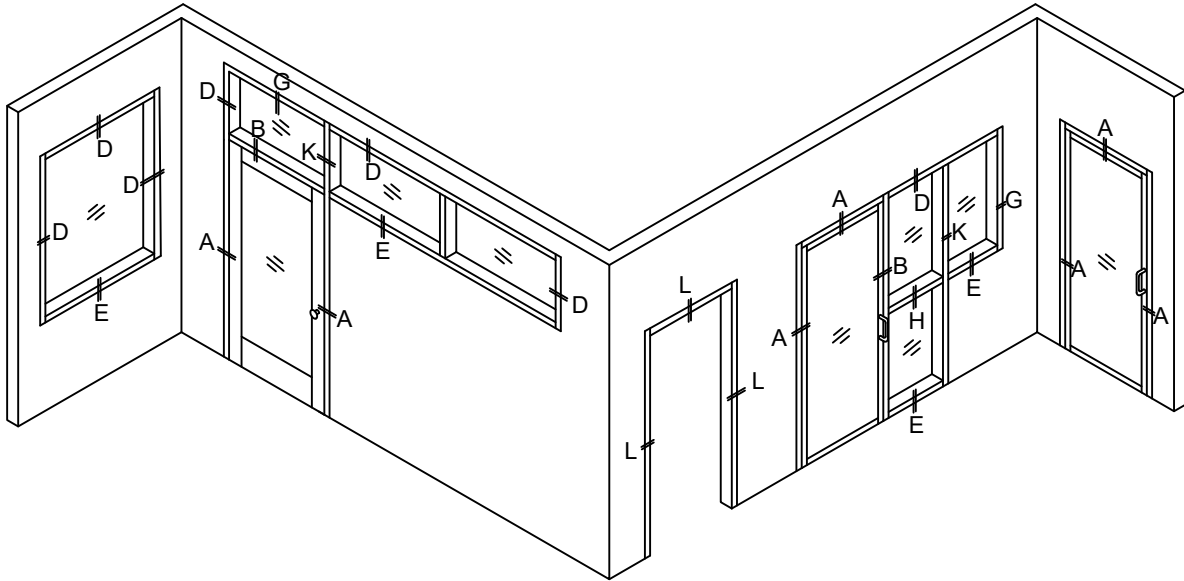
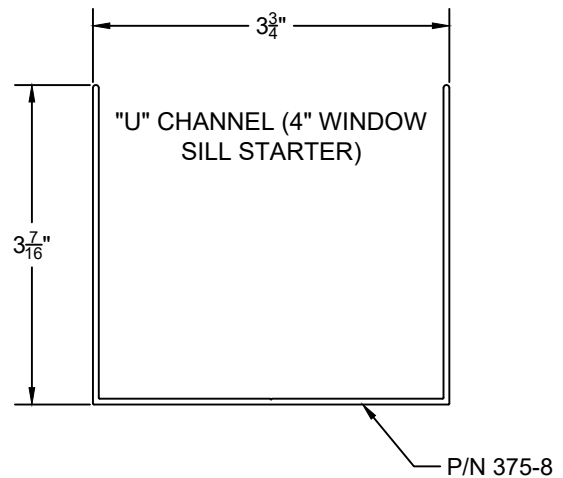
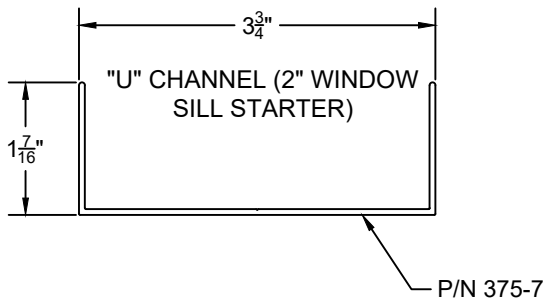
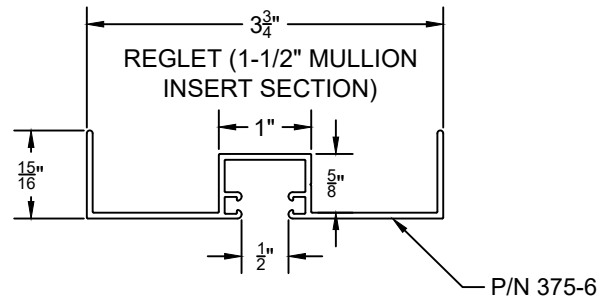
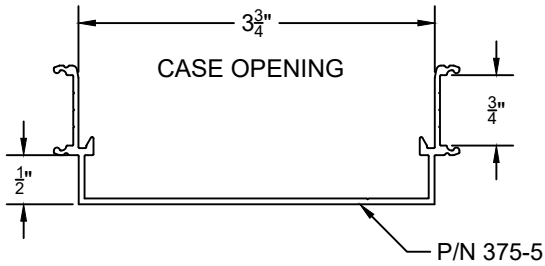
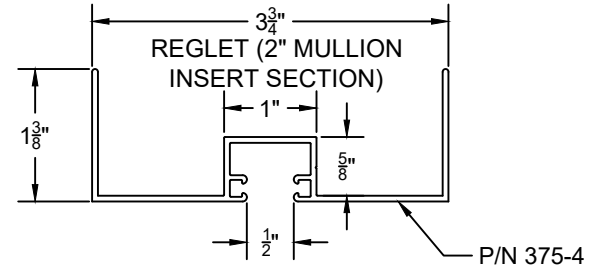
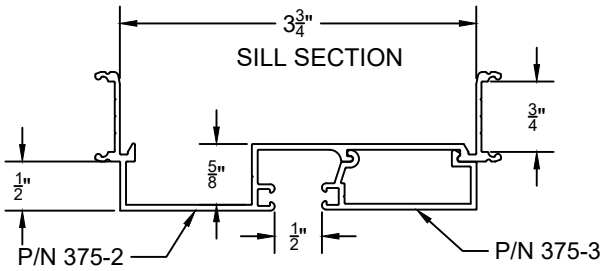
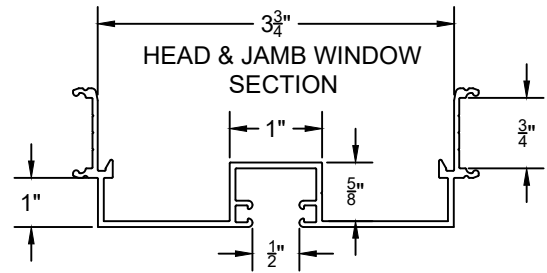
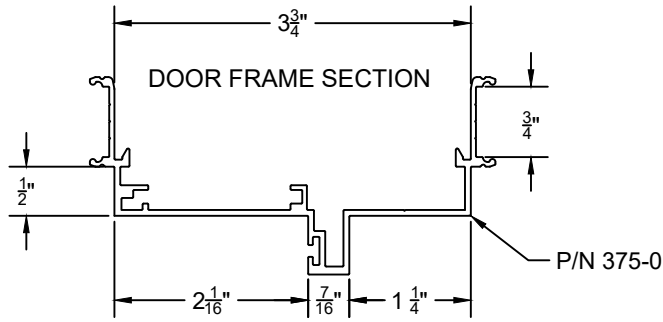


TYPICAL FRAME ELEVATIONS



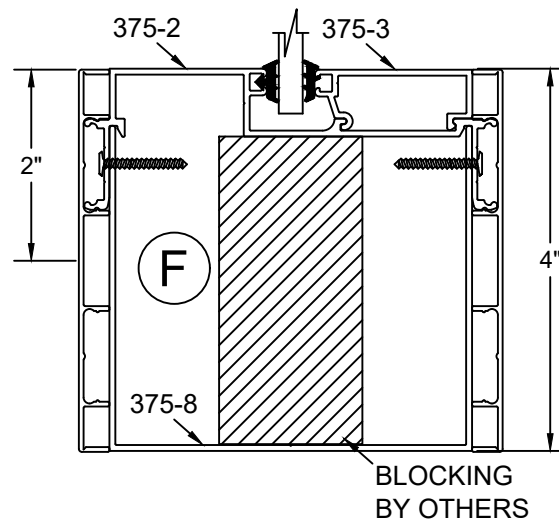
PARTIAL HEIGHT FRAME ELEVATIONS

375 WALL SERIES FOR 3 ³/₄" PARTITION



WALL SYSTEM

375 WALL SERIES WITH 4" TRIM FOR 3 $\frac{3}{4}$ " PARTITION



4" SILL