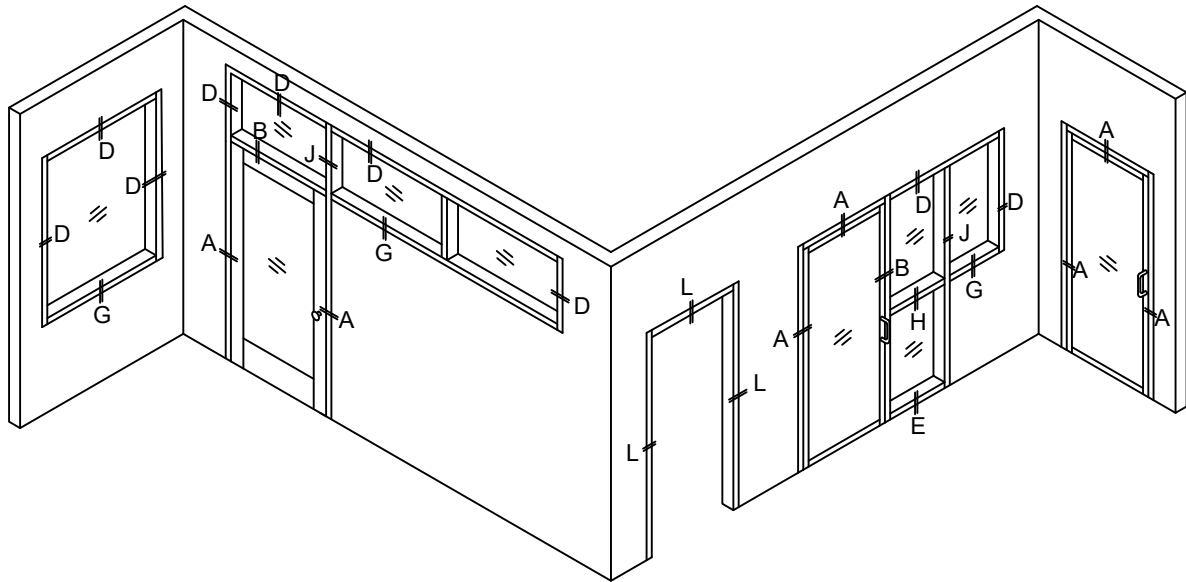
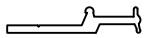
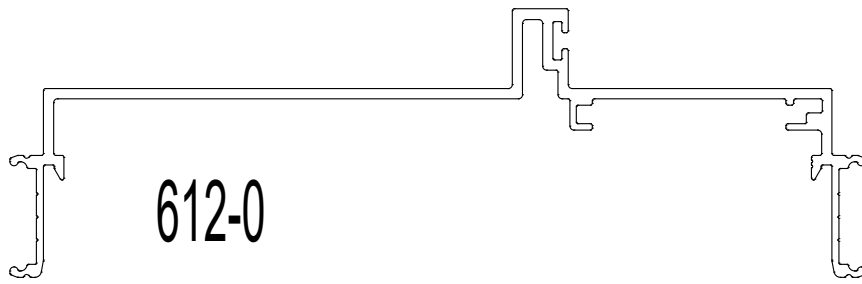


# TYPICAL FRAME ELEVATIONS



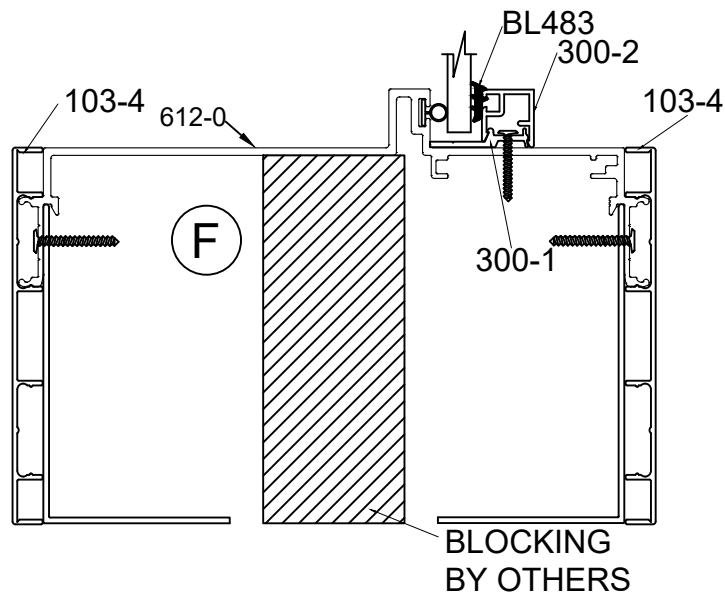
# PARTIAL HEIGHT FRAME ELEVATIONS

# 612 WALL SERIES FOR A 6 $\frac{1}{8}$ " PARTITION



## WALL SYSTEM

# 612 WALL SERIES WITH 4" TRIM FOR 6 $\frac{1}{8}$ " PARTITION



## 4" SILL