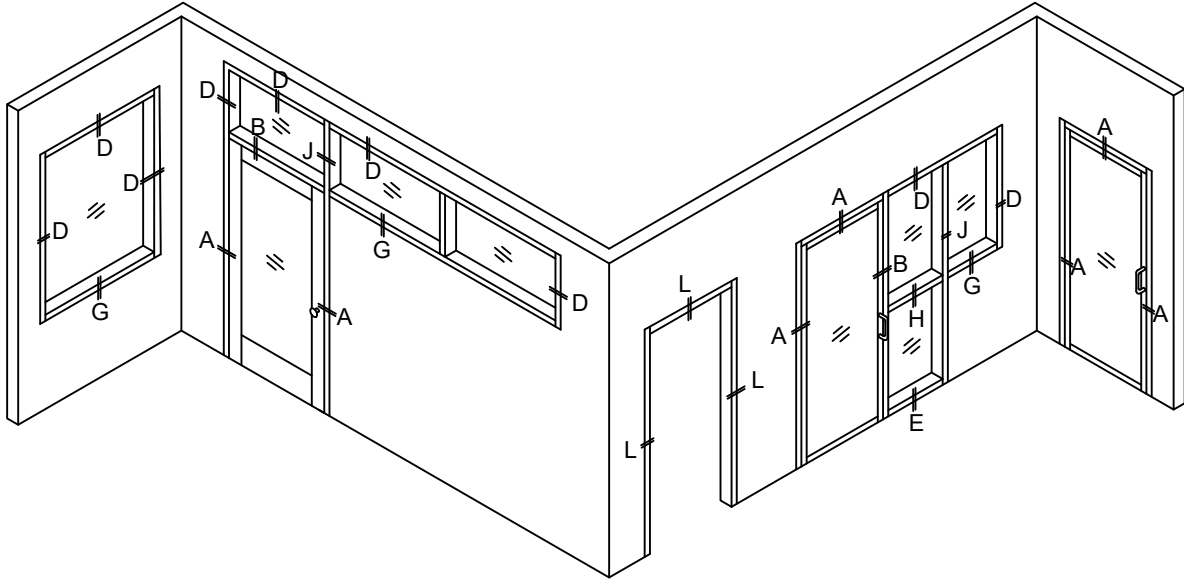
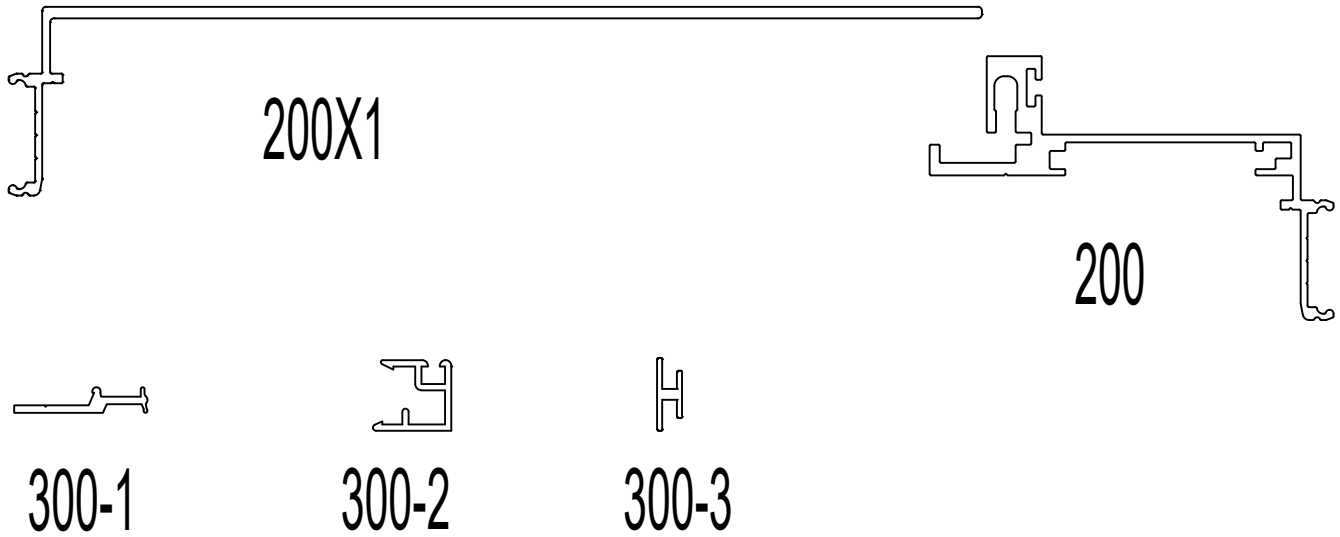


# TYPICAL FRAME ELEVATIONS



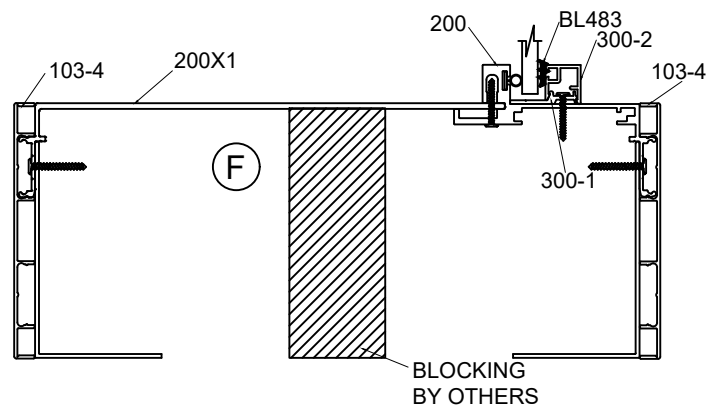
# PARTIAL HEIGHT FRAME ELEVATIONS

# ADJ WALL SERIES FOR A 3"-9.5" PARTITION



## WALL SYSTEM

# ADJ WALL SERIES WITH 4" TRIM FOR 3"-9.5" PARTITION



## 4" SILL